

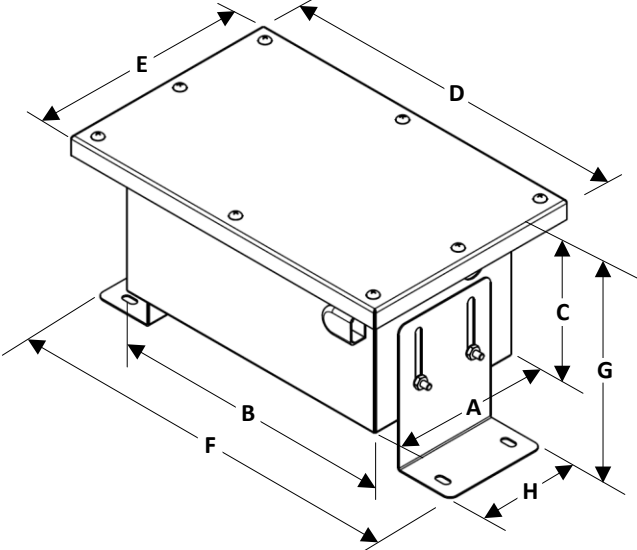
Description

Rain Hood (RH) protects actuators installed on dampers against rain in outdoor installations.



RH10

Technical Specifications

Description	RH10
Actuator Compatibility	All Neptronic D, B, and S series actuators installed on dampers with adjustable brackets
Material	304 stainless steel
Damper Shaft Size	Ø1/2" (16mm)
Access	Removable top panel
Ingress Protection	IP 54 equivalent to NEMA Type 3
Dimensions A = 5.25" 134 mm B = 9.5" 242 mm C = 5.13" 130 mm D = 11.63" 295 mm E = 7.38" 187 mm F = 13.5" 343 mm G = 6.75" 171 mm H = 3.5" 89 mm	



CAUTION: Rain Hood does not protect the actuators in corrosive and saline environments.

Mounting Instructions

The RH10 can be mounted either vertically or horizontally.

1. Remove the casing cover (1) by untightening the screws (10). Take out the brackets (4) and shaft adaptor (6) that have been placed inside the rain hood.
2. Mount the shaft adaptor (6) onto the shaft of the damper and tighten it using the set screws (7). Ensure that the length of the shaft extruding from the damper is between 1" (25mm) to 2.5" (64mm). If the extrusion is bigger than this range, cut the length of the shaft so that it falls within this range.
3. Attach the actuator to the pin of the strap (2) located inside the rain hood.
4. Mount the rain hood onto the shaft adaptor (6).
5. Tighten the actuator adaptor screws so that the actuator grips the shaft firmly. Ensure that the actuator is placed horizontally before tightening.
6. Place the brackets (4) onto the screws extruding from the sides of the rain hood. Adjust the height of the brackets accordingly, place the lock washers (9) and tighten the nuts (8).
7. Use the self-tapping screws (3) to secure the brackets (4) onto the damper.
8. Wire the actuator according to the local electrical code. Ensure that the UL listed electrical fittings for NEMA type 3 conditions are used for the hole provided.
9. Replace the cover (1) onto the casing and tighten the screws (10). Ensure that the opening of the ventilation cup (5) is always facing the ground. If the position of the ventilation cup is changed, ensure to tighten it firmly.

