

DESCRIPTION & SPEC - FLANGED GLOBE VALVES

2-1/2"- 4", ANSI CLASS 125, TT/ TM/ RT & RM ACTUATOR (MAXI BONNET)

neptronic[®]



Description

The combination of electric actuator and **flanged globe valve** provides proportional control of water flow in heating ventilating and air conditioning applications. The **single seat globe valves** with SS Stem and Brass Plug have an equal percentage flow profile in the 3 Way mixing and diverting models. The plug configuration is designed to enhance the control of fluid flow across a larger portion of the valve stroke (high rangeability) thus preventing undesirable hunting.

Valve Size Selection

3 Way: 2-1/2" & 3"

Actuator Selection (These actuators for valves listed above)

Digital: TT Series (Lower Close-off and Cost savings)

Analog: TM Series (Lower Close-off and Cost savings)

Linkage: Maxi Bonnet

Valve Size Selection

3 Way: 2-1/2", 3" & 4"

Actuator Selection (These actuators for valves listed above)

Digital: RT Series (High Close-off)

Analog: RM Series (High Close-off)

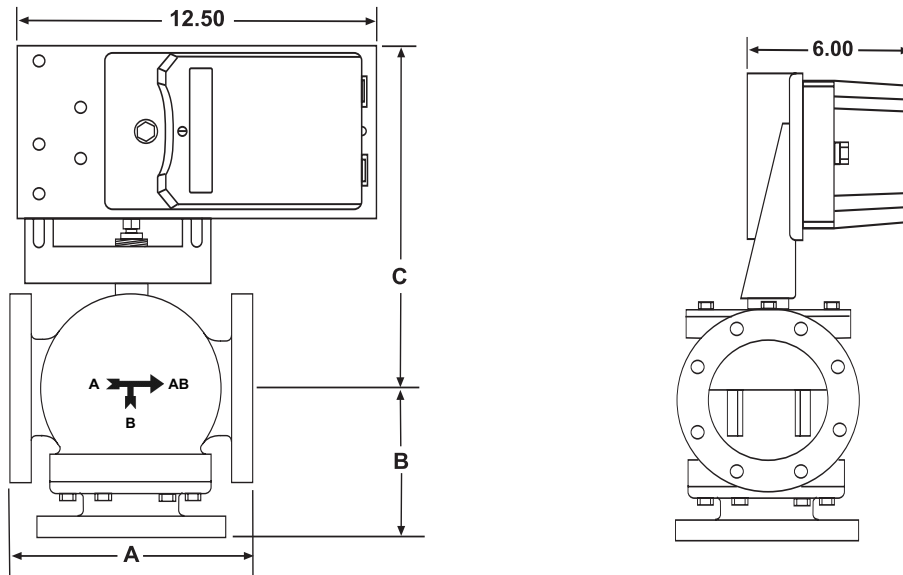
Linkage: Maxi Bonnet

Specifications

Valve Flow Type:	3 Way: Linear
Stem Lift:	2-1/2" to 4" Valves: 1" stroke
Maximum Working Temperature:	+281°F (+138°C)
Max. Differential Pressure:	Water: 10 PSIG recommended, (35 PSIG max.) Steam: 15 PSIG Maximum
Maximum Close-Off Pressure:	Refer to Valve Selection Chart (page #39)
Maximum Working Pressure:	175 PSIG up to +150°F Decreasing to 125 PSIG at +281°F
Body:	Cast iron with Black Lacquer Finish ANSI B16.1 Class 125
Seat:	Bronze
Stem:	Stainless Steel
Plug:	Brass
Packing:	Spring Loaded TFE
End Connections:	Raised Faced Flanges, Class 125



3 Way, 2-1/2" - 4" Single Seat with TT / TM / RT & RM Actuators



VALVE SIZE	Cv	Kv	2 WAY VALVE MODELS	CLOSE OFF PSI		VALVE DIMENSIONS			FLANGES		BOLT HOLES		BOLTS REQUIRED		
				ACTUATOR SERIES		A	B	C	THCK	DIAM	DIAM	BHC	QTY	DIAM	LGTH
				T	R										
2-1/2"	74	64	GM G0740WB4	54	108	8.50	5.38	12.63	0.69	7.00	0.75	5.50	4	0.625	2.50
3"	101	87	GM H1010WB4	37	80	9.50	6.38	12.88	0.75	7.50	0.75	6.00	4	0.625	2.50
4"	170	147	GM J1700WB4	-	32	11.50	8.50	13.50	0.94	9.00	0.75	7.50	8	0.625	3.00

* All dimensions are in Inches.