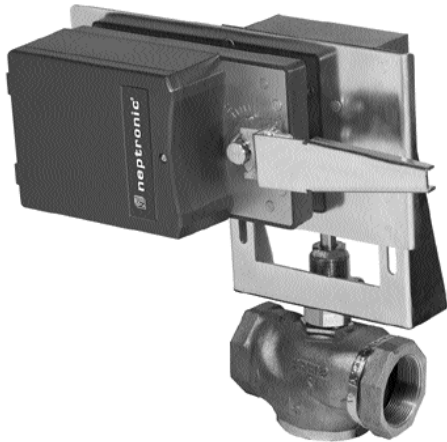


DESCRIPTION & SPEC - GLOBE VALVES

1"- 2" NPT, TT/TM ACTUATOR (MAXI BONNET)

neptronic



Description

The motorized **Globe Valves** respond to a digital or analog control signal. They include robust maxi bonnet linkages, and powerful Neptronic actuators which accurately regulate the flow of hot or chilled water and low pressure steam through coils and heat exchangers of all types. The **Single seat Globe Valves** with SS Stem and Brass Plug have an equal percentage characteristic in the 3 Way mixing and diverting models.

Valve Size Selection

3 Way: 1", 1-1/4", 1-1/2" & 2"

Actuator Selection (These actuators for valves listed above)

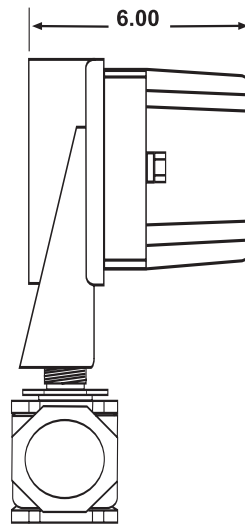
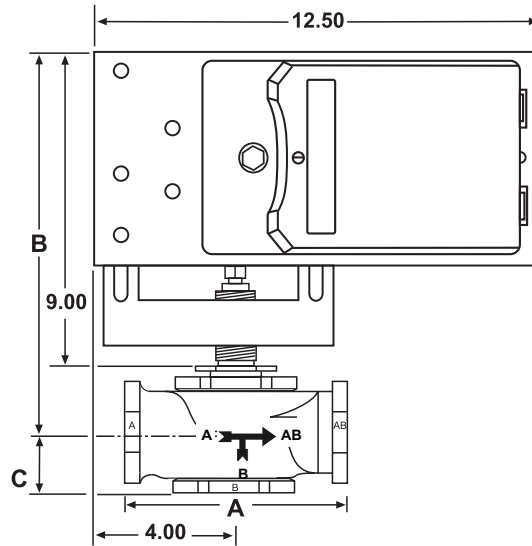
Digital: TT Series
Analog: TM Series
Linkage: Maxi Bonnet

Specifications

Valve Flow Type:	3 Way: Linear
Fluid Temperature:	Water: +40°F to +281°F (+4°C to +138°C) Steam: +230°F (+110°C) Maximum
Static Pressure:	Water: 250 PSIG Maximum
Inlet Pressure:	Steam: 15 PSIG Maximum
Max. Differential Pressure:	Water: 10 PSIG Recommended (35 PSIG Maximum) Steam: 15 PSIG Maximum
Body & Seat:	Bronze ANSI B16.15 Class 250
Stem:	Stainless Steel
Plug:	Brass
Packing:	Spring Loaded Teflon Cone
End Connections:	NPT Female Standard



3 Way, 1" - 2" NPT with TT or TM Actuators



SIZE	Cv	Kv	3 WAY VALVE MODELS	CLOSE OFF PSI	VALVE BODY DIMENSION		
					A	B	C
1"	14	12	GM C0140YB1	250	4.63	10.31	1.56
1-1/4"	20	17	GM D0200YB1	215	4.63	10.56	1.63
1-1/2"	28	24	GM E0280YB1	150	5.38	10.69	1.63
2"	41	35	GM F0410YB1	84	6.13	10.75	1.88

* All dimensions are in Inches.