



For 2 Way control of hot water or chilled water up to 50%Glycol.



Description

The actuated **Butterfly Valve** is comprised of an actuator, linkage and valve body. The valve size and type, Cv ratings and Close-Off pressure determine the type of actuator series used. This correlation is in the Valve Selection Chart.

Valves are Class 125 bubble tight to 200 PSI and are sized from 2 to 12 inches. They feature a cast iron body with aluminum bronze disc and EPDM seat. The patent pending S-shaped disc improves the Cv rating and enhances the flow capacity. The result is minimum turbulence. The unique Touch Seat design (U.S. Patent No. 4,605,201) requires reduced torque to seat the disc. Connections are full lug, drilled and tapped.

Note: Stainless steel disc and Buna-N seating materials are available by special order.

VALVE SIZE	Cv at various DISC openings									
	10%	20%	30%	40%	50%	60%	70%	80%	90%	100%
2"	3	6	11	17	26	42	65	100	140	165
2.5"	5	9	17	31	52	77	115	165	220	250
3"	6	14	25	43	67	97	140	200	285	380
4"	12	20	34	61	105	155	225	340	500	650
5"	13	29	52	97	165	270	425	645	935	1100
6"	19	37	78	140	230	365	605	1010	1510	1790
8"	29	66	140	250	405	675	1070	1620	2500	3300
10"	45	98	210	365	590	985	1560	2360	3700	4820
12"	54	125	265	470	760	1260	2010	3030	4700	6200

BUTTERFLY VALVE Cv CHART



Specifications

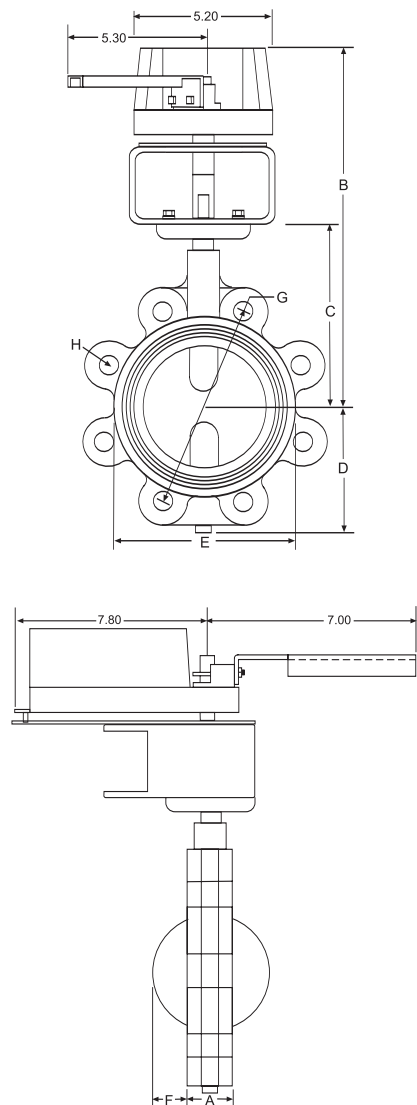
- Valve Flow Type:** **2 Way:** Equal Percentage
- Body:** Cast Iron ASTM A128 Class B
- Disc:** Aluminum Bronze B146-C95200
(or Stainless Steel) ASTM A351 CF8M (Upon request)
- Cartridge Seat:** EPDM (or Buna-N Upon request)
- Upper & Lower Stem Material:** Stainless Steel ASTM A276 Type 420
- Main Bearings:** Teflon
- Ring:** Stainless Steel ASTM A276 Type 304
- “O” Ring:** Buna - N
- Gasket:** Asbestos Free
- Bottom Spacer:** Stainless Steel ASTM A276 Type 403
- Screws, Bolts, Washers & Cover:** Zinc Plated Carbon Steel ASTM A36
- End Connections:** Flanged, ANSI Class 125, Full Lug, Drilled & Tapped

DIMENSIONS - BUTTERFLY VALVES

2"- 6", FULL LUGGED, TT/TM/RT & RM ACTUATORS



2 Way, 2"- 6" with TT/ TM/ RT & RM Actuators



Dimension with a "T" Actuator Series

SIZE	Cv	Kv	2 WAY VALVE MODELS	CLOSE OFF PSI	DIMENSIONS FOR 2 WAY VALVES							H: LUGS	
					A	B	C	D	E	F	G	NO	SIZE
					2"	165	142	BF F1650WA5	200	1.69	11.39	5.51	2.72
2.5"	250	216	BF G2500WA5	200	1.81	11.79	5.91	3.15	4.59	0.40	5.49	4	5/8-11

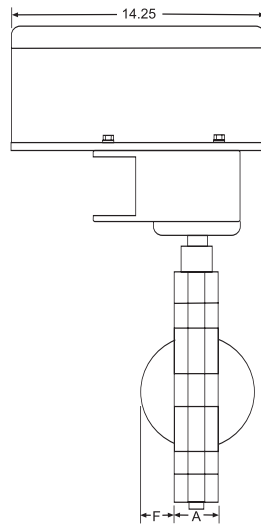
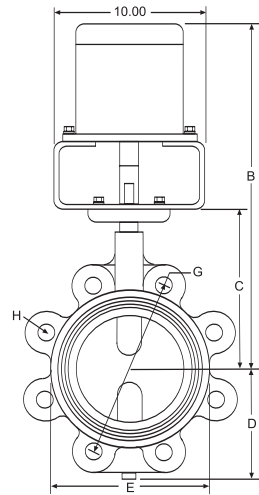
Dimension with a "R" Actuator Series

SIZE	Cv	Kv	2 WAY VALVE MODELS	CLOSE OFF PSI	DIMENSIONS FOR 2 WAY VALVES							H: LUGS	
					A	B	C	D	E	F	G	NO	SIZE
					3"	380	328	BF H3800WA5	200	1.81	11.98	6.10	3.50
4"	650	562	BF J6500WA5	200	2.05	12.45	6.57	4.53	5.85	0.95	7.50	8	5/8-11
5"	1100	951	BF K1K10WA5	150	2.20	13.24	7.36	5.24	7.07	1.46	8.50	8	3/4-10
6"	1790	1548	BF L1K79WA5	100	2.20	13.83	7.95	5.66	8.22	1.93	9.51	8	3/4-10

* All dimensions are in Inches.



2 Way, 6"- 12" with UT or UM Actuators



SIZE	Cv	Kv	2 WAY VALVE MODELS	CLOSE OFF PSI	DIMENSIONS FOR 2 WAY VALVES									
					A	B	C	D	E	F	G	H: LUGS		
												NO	SIZE	
6"	1790	1548	BF L1K79WA5	200	2.20	18.70	7.95	5.66	8.22	1.93	9.51	8	3/4-10	
8"	3300	2854	BF M3K30WA5	200	2.36	19.81	9.06	6.85	10.03	2.76	11.75	8	3/4-10	
10"	4820	4169	BF N4K82WA5	150	2.68	21.77	11.02	8.78	12.31	3.60	14.25	12	7/8-9	
12"	6200	5363	BF P6K20WA5	100	3.07	22.95	12.20	10.24	14.12	4.31	17.01	12	7/8-9	

* All dimensions are in Inches.