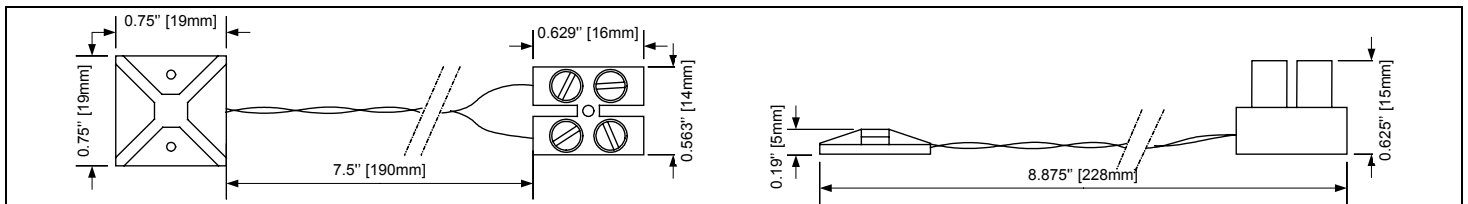
**Feature:**

- Temperature sensor
- Self adhesive to stick on window.
- To be installed in association with Neptronic® room (HRM) or duct (HDM) humidistat

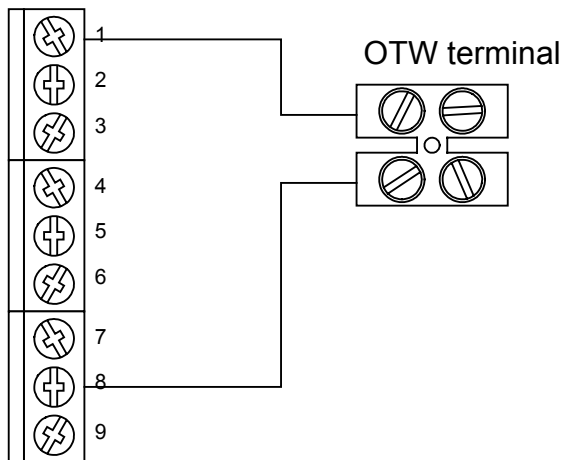
# OTW

Technical Data	OTW
Electrical connection	2 twisted wires AWG28, length 7.5" [19mm], connected to 2 poles terminal.
Signal	Variable resistance
Rating	-58°F to +212°F [-50° C to +100° C]
Ambient temperature	-58°F to +212°F [-50° C to +100° C]
Storage temperature	-58°F to +212°F [-50° C to +100° C]
Relative Humidity	5 to 95 % non condensing.
Weight	0.01lb [5g]

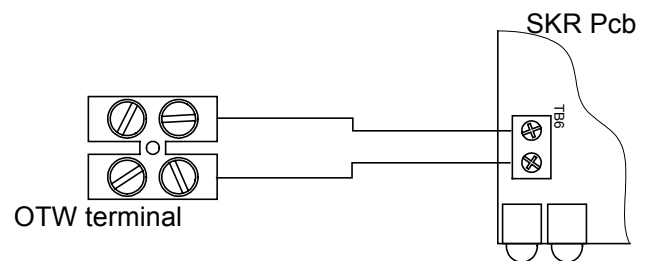
**Dimensions****Wiring Diagrams****Connection to HRM or HDM**

(Humidifier SK300 or SKE series)

HRM/HDM terminal



Connect **OTW** to terminal #1 & 8 of the HRM or HDM.

**Connection to SKR**

Connect **OTW** to terminal TB6 of the SKR Printed circuit board.