

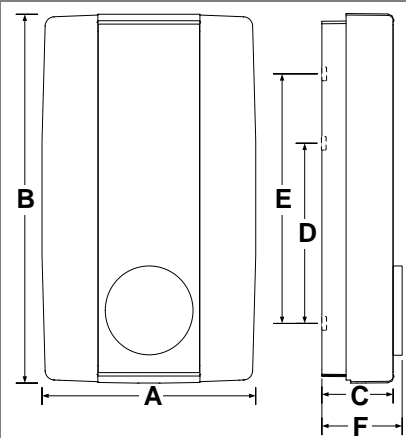
Model
HRC20
Description

The HRC20 is a wall mounted humidistat capable of monitoring and controlling relative humidity for applications using a room distribution system. Its primary function is to act as a room sensor for On/Off humidifiers.

Features

- On-board setpoint adjustment (10 to 60%RH)
- Built-in humidity sensor
- Plastic cover for wall mount installation
- 24Vac or 24Vdc
- 1 dry contact output (normally open)

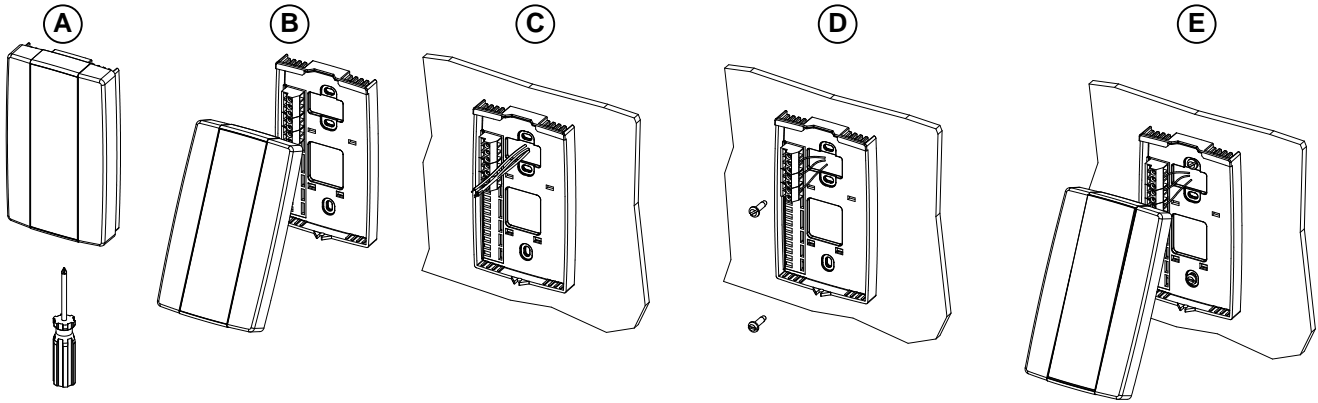

HRC20
Technical Specifications

Specifications	HRC20
Power supply	24 Vac or Vdc $\pm 10\%$
Power consumption	1 VA
Electrical connection	0.8 mm ² [18 AWG] minimum
Humidity sensor precision	$\pm 3\%$ at 40 %RH and 23°C [73°F]
Setpoint range	10 to 60 %RH
Operating temperature	32°F to 104°F [0°C to 40°C]
Storage temperature	14°F to 122°F [-10°C to +50°C]
Relative humidity	0 to 95 %RH
Enclosure protection	IP 30 (EN 60529)
Weight	0.13 lb [60 g]
Dimensions A = 2.85" (72mm) B = 4.85" (123mm) C = 1.00" (25mm) D = 2.36" (60mm) E = 3.27" (83mm) F = 1.02" (26mm)	

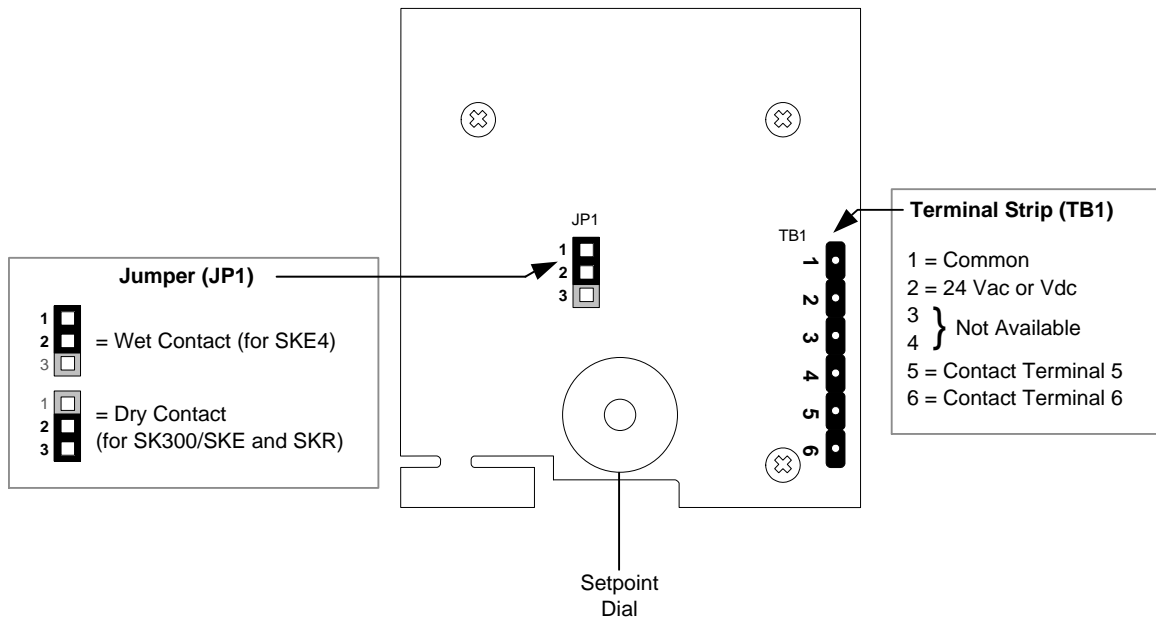
Mounting Instructions

⚠ CAUTION: Remove power to avoid a risk of malfunction.

- A. Remove the captive screw that's holding the base and the front cover of the unit together.
- B. Lift the front cover of the unit to separate it from the base.
- C. Pull all wires through the holes in the base.
- D. Secure the base to the wall using wall anchors and screws (supplied). Make the appropriate connections.
- E. Mount the front cover on the base and secure using the screw.



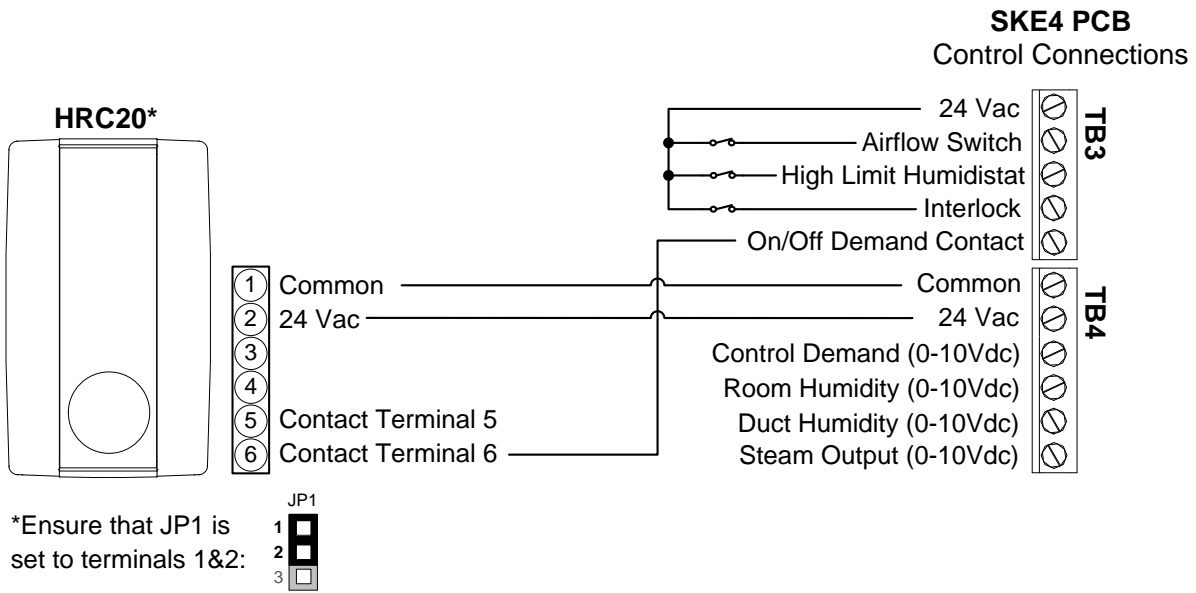
PCB Overview



Wiring Diagrams

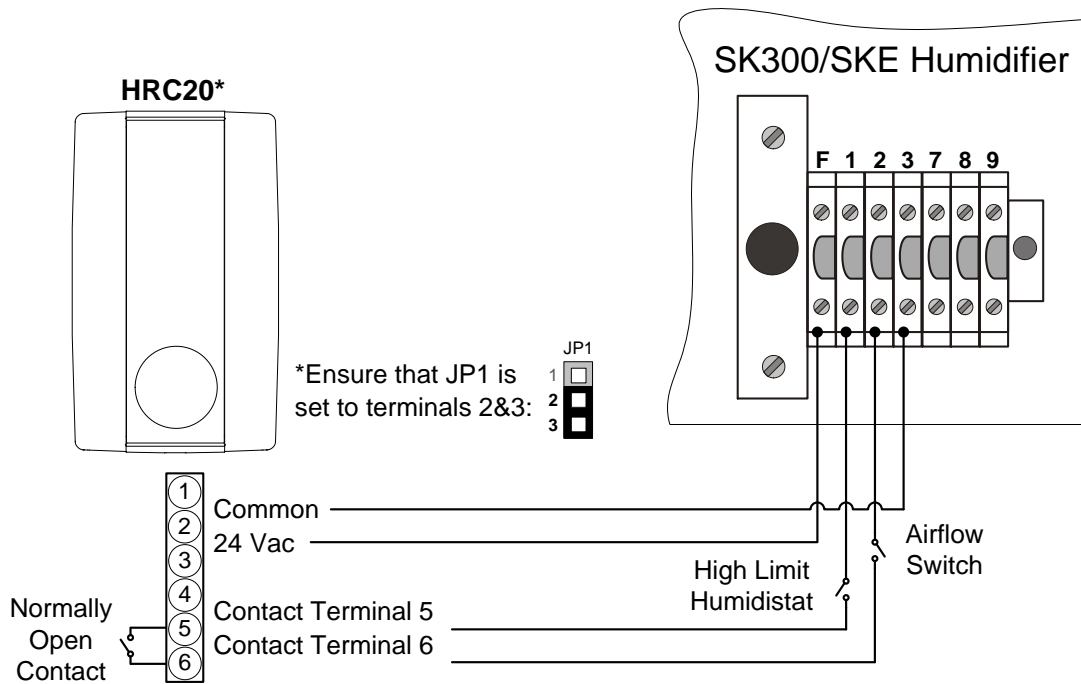
On/Off SKE4 Humidifier

Standard Field Wiring



On/Off SK300/SKE Humidifier

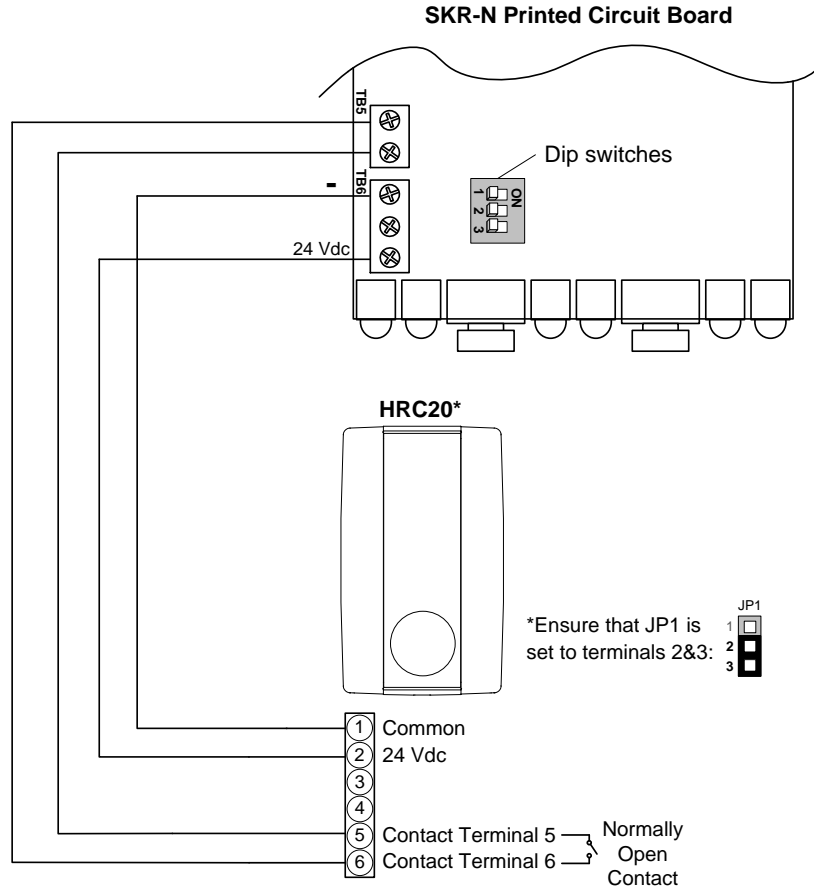
Standard Field Wiring





On/Off SKR Humidifier - Kit N (North America)

Standard Field Wiring



On/Off SKR Humidifier - Kit N (Europe)

Standard Field Wiring

