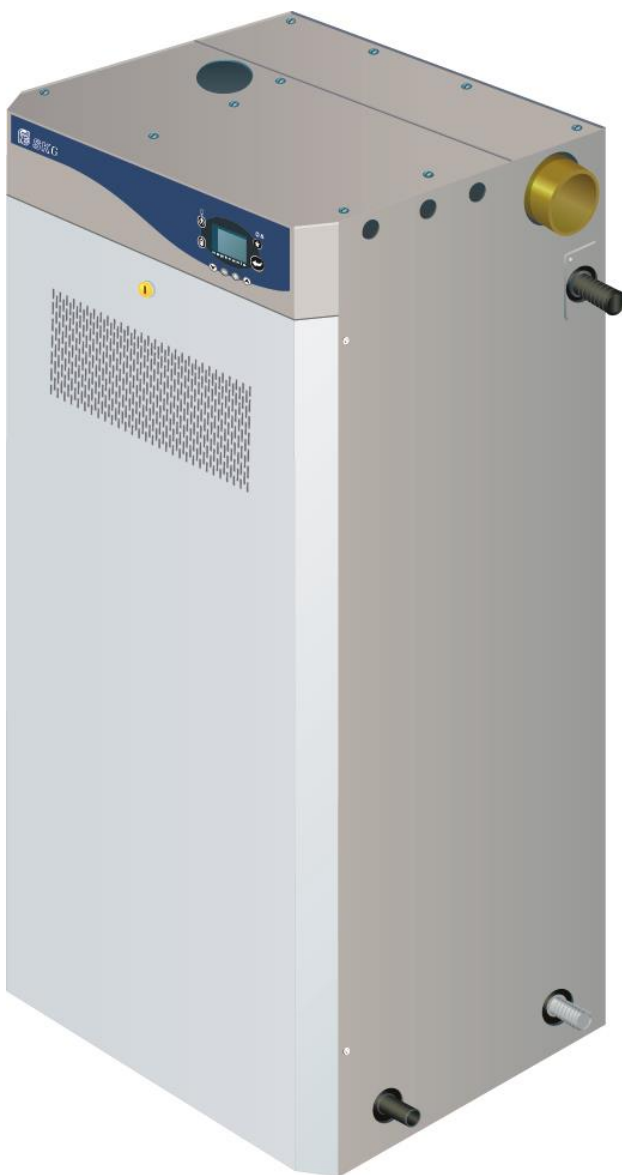




neptronic®

# Gas Fired Humidifier SKG3 Series

## INSTALLATION INSTRUCTIONS



**WARNING:** Risk of fire or explosion. May cause property damage, personal injury or loss of life. Please follow installation instructions carefully.

---

**FOR YOUR SAFETY:** Do not store or use gasoline or other flammable vapors and liquids in the vicinity of this appliance.

---

**WHAT TO DO IF YOU SMELL GAS:**

- Do not try to light any appliance.
- Do not touch any electrical switch, and do not use telephones in your building.
- Immediately call your gas supplier from an off-site telephone.
- Follow the gas supplier's instructions.
- If you cannot reach your gas supplier, call the fire department.

---

**WARNING:** Risk of injury or property damage. Installation and service must be performed by a qualified installer, service agency, or the gas supplier.



Read and save these instructions

**WHAT TO DO  
IF YOU SMELL  
GAS!**

Do not try to light any appliances.  
Do not touch any electrical switches; do not use any telephones in your building.  
Immediately call your gas supplier from an off-site telephone.  
Follow the gas supplier's instructions.  
If you cannot reach your gas supplier, call the fire department.

**GAS**

Before installation, check that the local distribution conditions, nature of gas and pressure, and the current state adjustment of the appliance are compatible.

**Improper installation, adjustment, alteration, service, maintenance or use can cause carbon monoxide poisoning, explosion, fire, electrical shock or other conditions which may cause personal injury or property damage.**

This appliance **MUST** be used only in sufficiently ventilated space. Consult instructions before installation and use of this appliance.

Installation and service **MUST** be performed by a qualified gas installer, service agency, or the gas supplier.

Ensure that local regulations concerning the provision of gas installations are followed.

**ELECTRICITY**

All work concerned with electrical installation **MUST** only be performed by skilled and qualified technical personnel (e.g. electrician or technician with appropriate training). The customer is always responsible for ensuring the suitability of the technical personnel.

Ensure that the local regulations concerning the provision of electrical installations are followed.

**HEALTH &  
SAFETY**

Neptronic has considered aspects of the design of their humidification systems to reduce as much as possible the risk of Legionnaires' disease and other similar conditions, but it is important that users are also aware of their responsibilities.

To prevent the growth of Legionella, users are required to:

- Avoid water temperature that favors the growth of Legionella (20-45°C [68 to 113°F]).
- Avoid water stagnation.
- Clean and disinfect the humidification system.
- Have a competent person carry out a risk assessment of the water system supplying the humidifier to ensure the water supply is of an acceptable quality.

**CORRECT USE** Neptronic® systems and products are designed only for humidification use.

Any other application is not considered as usage for the intended purpose. The manufacturer cannot be made liable for any damage resulting from incorrect use.

**ACCESS** The SKG3 cabinet keys **MUST** never be left in the door locks, as this may cause unauthorized access to live electrical parts. Always store keys centrally with a nominated responsible person.

**WATER** Neptronic® systems are designed to be used with tap, reverse osmosis, demineralized or partially softened water. On no account attempt to introduce any other fluids or chemicals into the system without first consulting Neptronic or its authorized distributor.

Water supply must not exceed the max pressure of 70 psig (480 kPa), or pressure limits laid out in the Installation Instructions and User Manual, and must comply with local regulations.

***Neptronic  
Company  
Overview***

Founded in 1976, we're a private corporation that designs, manufactures and distributes products for the HVAC industry. Our product line includes intelligent controllers, electronic actuators, actuated valves, humidifiers and electric heaters.

Our products are designed and manufactured by over 250 dedicated employees in our 7,500 m<sup>2</sup> (80,000 ft<sup>2</sup>) state-of-the-art facility located in Montreal, Canada. Using a vertical integration model, our entire manufacturing chain is under one roof from software and hardware development, to SMT circuit board assembly, to sheet metal fabrication, to product testing ensuring that our products are engineered to last.

We currently hold several national and international patents and with our continued commitment to research and development, we provide innovative products and technologies for the ever-evolving challenges of the HVAC industry. Exporting over 70% of our sales, we have an exclusive distribution network around the globe that provides comprehensive solutions to our worldwide customers.

***About the Manual***

These installation and operation instructions have been developed to facilitate the installation of the Gas Fired Humidifier.

The strict application of these instructions will ensure the conformity of your installation and operation as per the manufacturer's recommendations.

The application of these instructions is one of the conditions for the application of the warranty.

The application of these instructions does not ensure, at any time conformity to procedures, regulation or local codes, regarding electric installation and connection to local water supply.

This product has been declared to conform to applicable Canadian and American standards and bear the ETL (c) & (us) marking.

2019©: All rights reserved. This document cannot be reproduced totally or partially by any means whether, electronic, mechanical, photocopy, recording or other, without prior written authorization of Neptronic.

***Electricity***

All work concerned with electrical installation **MUST** only be performed by skilled and qualified technical personnel such as an electrician or a technician with appropriate training). The customer is always responsible for ensuring the suitability of the technical personnel.

Please observe the local regulations concerning the provision of electrical installations.

***Correct Use***

Neptronic systems and its products are designed only for humidification use. Any other application is not considered appropriate for the intended purpose. The manufacturer cannot be made liable for any damage resulting from incorrect use.

***General Warranty***

This product is subject to the terms and conditions described at <http://www.neptronic.com/Sales-Conditions.aspx>.

---

## Table of Contents

---

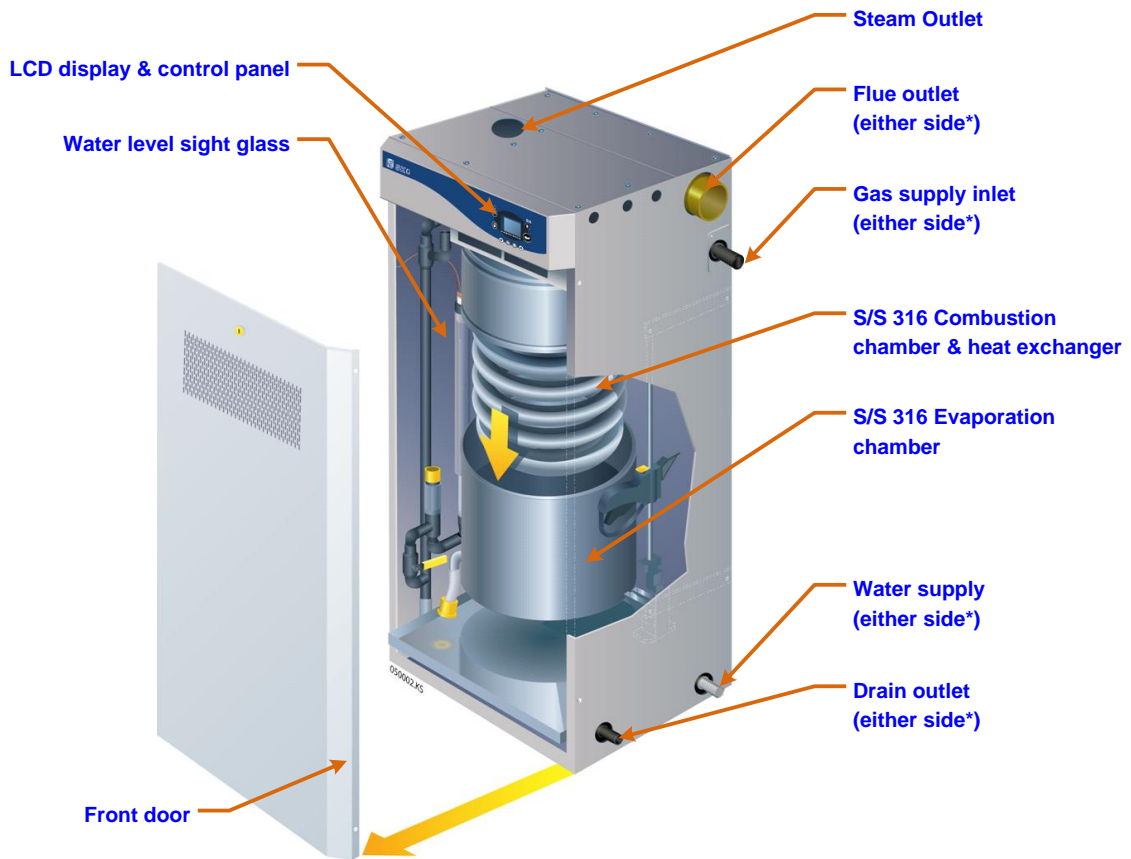
Safety .....	1
Foreword .....	2
Table of Contents .....	3
Technical Specifications .....	4
Dimensions & Weights .....	5
Installation Overview .....	10
Stage 1 – Unit Positioning and Mounting .....	11
Stage 2 – Steam Distribution Installation .....	13
Stage 3 – Gas Supply Connection .....	20
Stage 4 – Water Supply Installation .....	21
Stage 5 – Water Drain Connection .....	22
Stage 6 – Combustion Air Installation .....	24
Stage 7 – Flue Gas Venting Connection .....	29
Stage 8 – Electrical Supply and Installation .....	31
Stage 9 – Electrical Control Connections .....	32
Stage 9 – BACnet® Interface Set-up .....	35
Initial Verification .....	36
Commissioning – Operation Description .....	38
Operation Display .....	39
Status Menu .....	40
Control Set-up Menu .....	41
System Set-up Menu .....	43
Alarms Menu .....	45
List of Alarms .....	46
Diagnostics Menu .....	47
Com Port Set-up Menu .....	48
Exploded Views & Parts List .....	49
Multiple Modules Composition Table .....	54

**Other related documents:**

1. Start-up check list & Combustion field adjustment instructions
2. Wiring diagram
3. Service and troubleshooting guide
4. If humidifier is equipped with BACnet® option:  
BACnet® communication module user guide.



# Technical Specifications



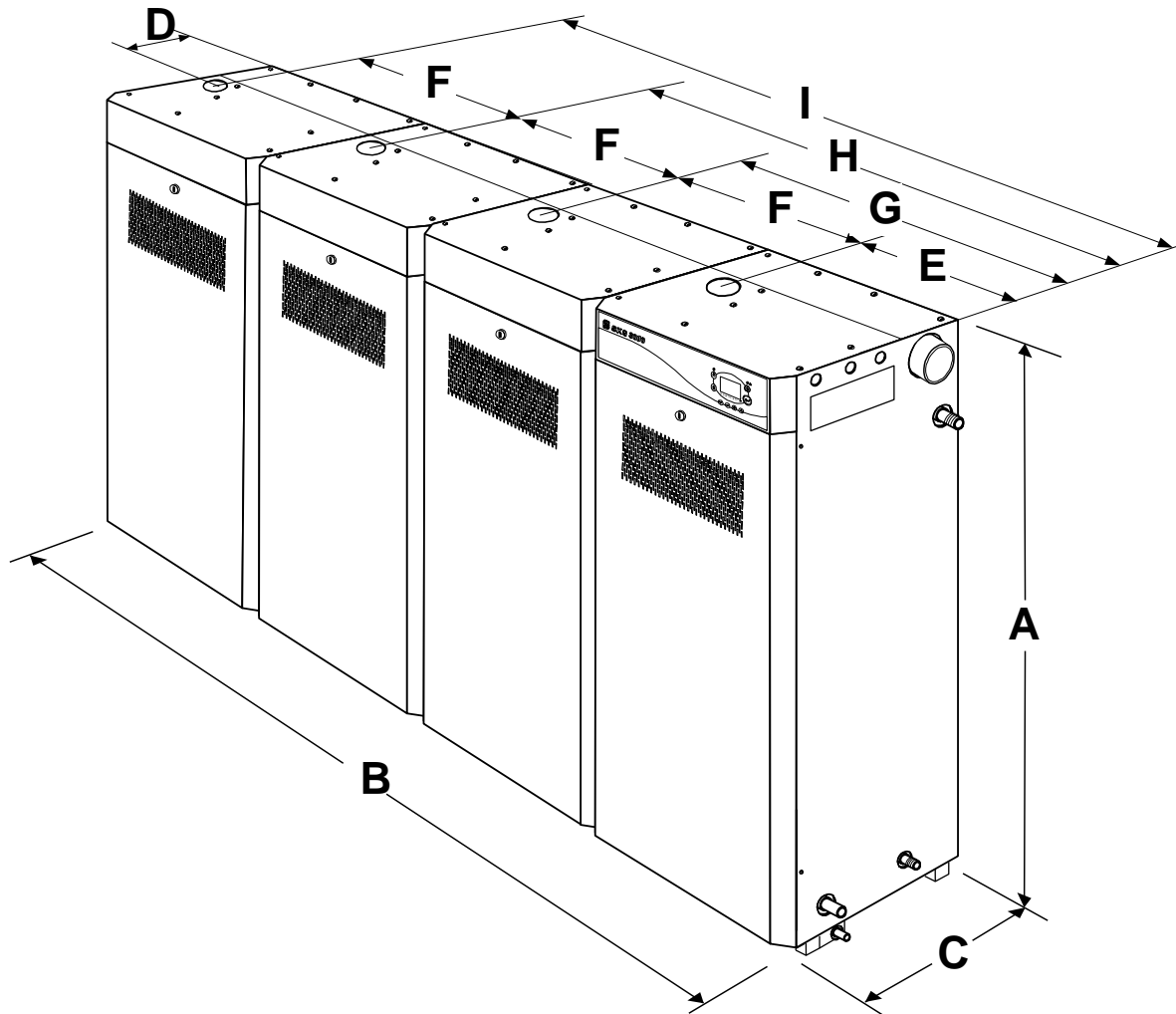
General Overview - Fig.1

Model	Nb of Modules	Steam cap. (lb/h) [kg/h]	Input Capacity (btu/h) [kW/h]		Current at 120Vac (A)	Current at 208Vac (A)	Current at 240Vac (A)	Nb of outlets	Multi-Steam header diam. (in) [mm]
			Natural Gas	Propane Gas					
SKG3-110-1 N/P	1	110 [50]	166,798 [49]	188,298 [55]	6.0	3.5	3.0	1	3" [76]
SKG3-155-1 N/P	1	155 [70]	210,052 [62]	231,552 [68]	6.0	3.5	3.0	1	3" [76]
SKG3-180-1 N/P	1	180 [80]	235,844 [69]	257,344 [75]	6.0	3.5	3.0	1	3" [76]
SKG3-210-1 N/P	1	210 [95]	247,423 [73]	268,923 [79]	6.0	3.5	3.0	1	3" [76]
SKG3-265-2 N/P	2	265 [120]	376,850 [110]	419,850 [123]	9.0	5.2	4.5	2	4" [100]
SKG3-310-2 N/P	2	310 [140]	420,104 [123]	463,104 [136]	9.0	5.2	4.5	2	4" [100]
SKG3-350-2 N/P	2	350 [160]	457,475 [134]	500,475 [147]	9.0	5.2	4.5	2	4" [100]
SKG3-405-2 N/P	2	405 [185]	494,846 [145]	537,846 [158]	9.0	5.2	4.5	2	4" [100]
SKG3-505-3 N/P	3	505 [230]	693,319 [203]	757,819 [222]	12.0	7.0	6.0	3	5" [125]
SKG3-560-3 N/P	3	560 [255]	704,898 [207]	769,398 [225]	12.0	7.0	6.0	3	5" [125]
SKG3-610-3 N/P	3	610 [275]	742,269 [218]	806,769 [236]	12.0	7.0	6.0	3	5" [125]
SKG3-710-4 N/P	4	710 [320]	940,742 [276]	1,026,742 [301]	15.0	8.7	7.5	4	(2x) 4" [100]
SKG3-765-4 N/P	4	765 [345]	952,321 [279]	1,038,321 [304]	15.0	8.7	7.5	4	(2x) 4" [100]
SKG3-810-4 N/P	4	810 [370]	989,692 [290]	1,075,692 [315]	15.0	8.7	7.5	4	(2x) 4" [100]

**Notes:** 1 - Maximum static duct pressure is 5" w.c. (1.25 kPa). For higher static duct pressures, consult Neptronic or its authorized distributor.

2 - Standard humidifier is designed for natural ventilation combustion air. "Ducted Combustion Air" option is available upon request.

## Dimensions & Weights



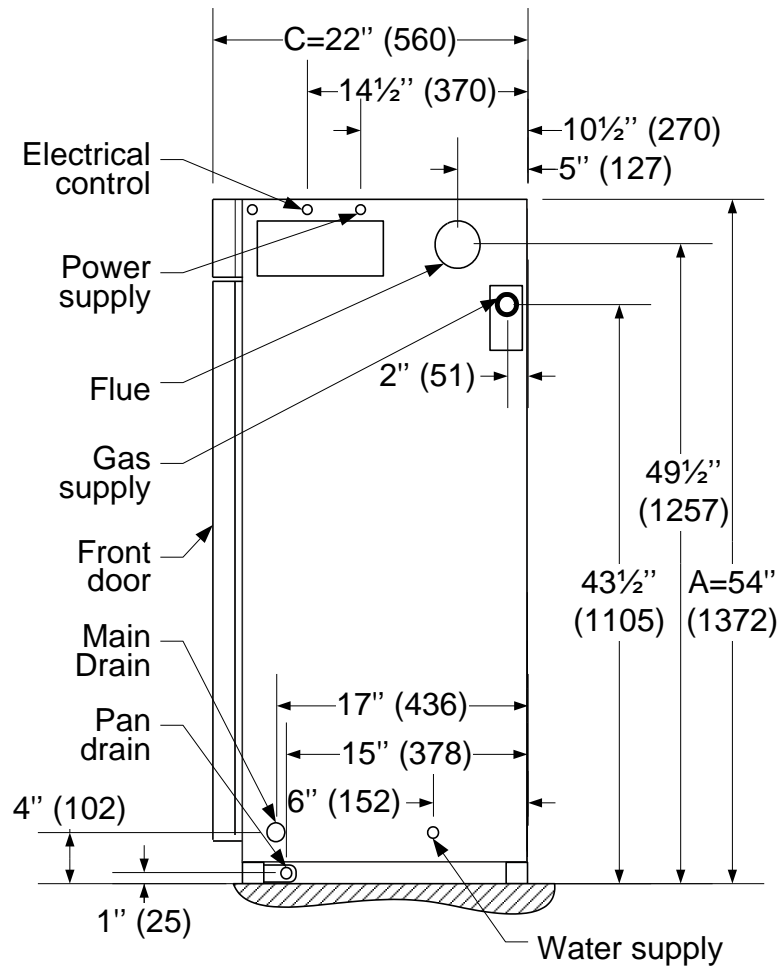
General dimensions - Fig. 2

### General Dimensions, Weight & Steam Outlets detail

Model	Nb of module	No of Steam Outlets	Steam Outlet Diam.	Dimensions in inches [mm]									Weight Lb (Kg)	
				A	B	C	D	E	F	G	H	I	Empty	Full of water
SKG3-110-1 N/P SKG3-155-1 N/P SKG3-180-1 N/P SKG3-210-1 N/P	1	1	Ø3" [76]	54 [1372]	24 [610]	22 [560]	9 [230]	18 [460]					320 [145]	444 [200]
SKG3-265-2 N/P SKG3-310-2 N/P SKG3-350-2 N/P SKG3-405-2 N/P	2	2	Ø3" [76]	54 [1372]	48 [1220]	22 [560]	9 [230]	18 [460]	24 [610]	36 [920]			602 [274]	850 [384]
SKG3-505-3 N/P SKG3-560-3 N/P SKG3-610-3 N/P	3	3	Ø3" [76]	54 [1372]	72 [1830]	22 [560]	9 [230]	18 [460]	24 [610]	36 [920]	66 [1680]		950 [431]	1,322 [600]
SKG3-710-4 N/P SKG3-765-4 N/P SKG3-810-4 N/P	4	4	Ø3" [76]	54 [1372]	96 [2440]	22 [560]	9 [230]	18 [460]	24 [610]	36 [920]	66 [1680]	90 [2290]	1,270 [576]	1,766 [800]

## Dimensions & Weights

### Position & Dimension of connections



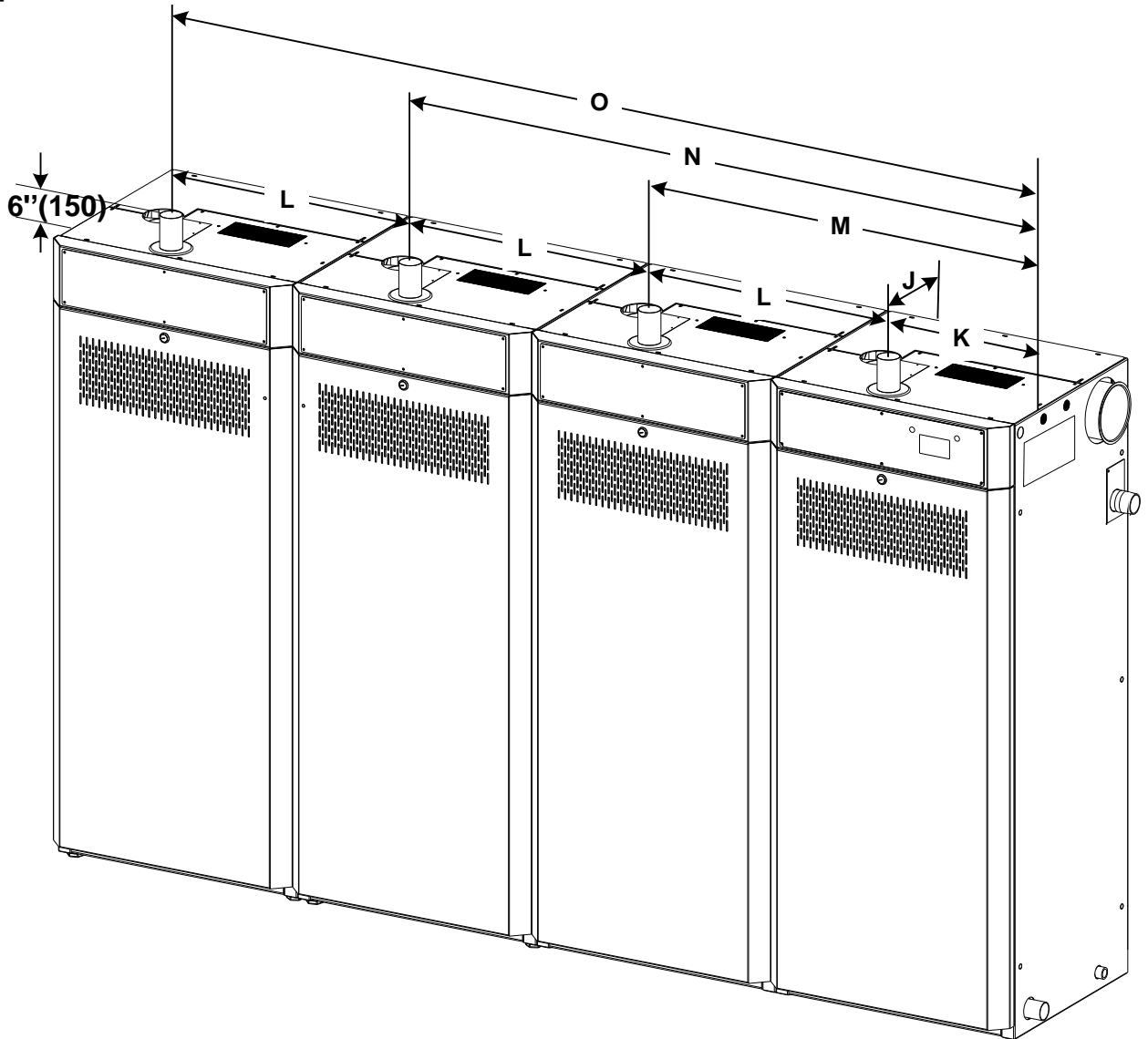
Connections position - Fig. 3  
(dimensions in bracket are in mm)

Model	Nb of module	Dimensions in inches [mm]				
		Drain Outlet Diam.	Pan Drain Diam.	Water Inlet Diam.	Gas Inlet Diam.	Flue Outlet Diam.
SKG3-110-1 N/P SKG3-155-1 N/P SKG3-180-1 N/P SKG3-210-1 N/P	1	Ø3/4" [20]	Ø1/2" [15]	Ø1/2" NPT [15]	Ø1" NPT [25]	Ø3" [76]
SKG3-265-2 N/P SKG3-310-2 N/P SKG3-350-2 N/P SKG3-405-2 N/P	2	Ø1-1/2" [40]	Ø1/2" [15]	Ø1/2" NPT [15]	Ø1" NPT [25]	Ø4" [100]
SKG3-505-3 N/P SKG3-560-3 N/P SKG3-610-3 N/P	3	Ø1-1/2" [40]	Ø1/2" [15]	Ø1/2" NPT [15]	Ø1-1/2" NPT [40]	Ø5" [125]
SKG3-710-4 N/P SKG3-765-4 N/P SKG3-810-4 N/P	4	Ø1-1/2" [40]	Ø1/2" [15]	Ø1/2" NPT [15]	Ø1-1/2" NPT [40]	Ø5" [125]

**Note:** Drain outlet, water supply inlet, gas supply inlet and flue outlet are located on the right hand side of the humidifier. Left hand side location of any of these outlets or inlets is available upon request.

## Dimensions & Weights

### Option - Ducted combustion air inlet dimension



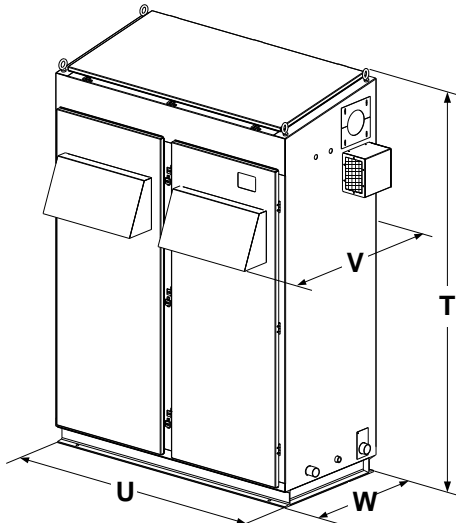
Ducted combustion air dimensions - Fig. 4  
 (dimensions in bracket are in mm)

Model	No of modules	No of Air inlet	Dimensions in inches [mm]						
			Air inlet Diam.	J	K	L	M	N	O
SKG3-110-1 N/P SKG3-155-1 N/P SKG3-180-1 N/P SKG3-210-1 N/P	1	1	Ø2" [51]	17.6" [448]	13.8" [352]	-	-	-	-
SKG3-265-2 N/P SKG3-310-2 N/P SKG3-350-2 N/P SKG3-405-2 N/P	2	2	Ø2" [51]	17.6" [448]	13.8" [352]	24" [609]	37.8" [962]	-	-
SKG3-505-3 N/P SKG3-560-3 N/P SKG3-610-3 N/P	3	3	Ø2" [51]	17.6" [448]	13.8" [352]	24" [609]	37.8" [962]	61.8" [1571]	-
SKG3-710-4 N/P SKG3-765-4 N/P SKG3-810-4 N/P	4	4	Ø2" [51]	17.6" [448]	13.8" [352]	24" [609]	37.8" [962]	61.8" [1571]	85.8" [2180]

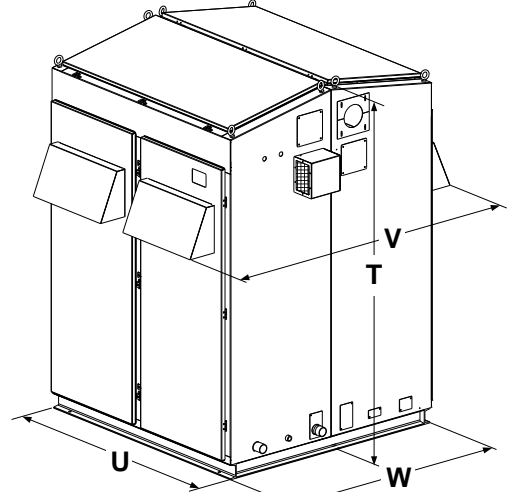


## Dimensions & Weights

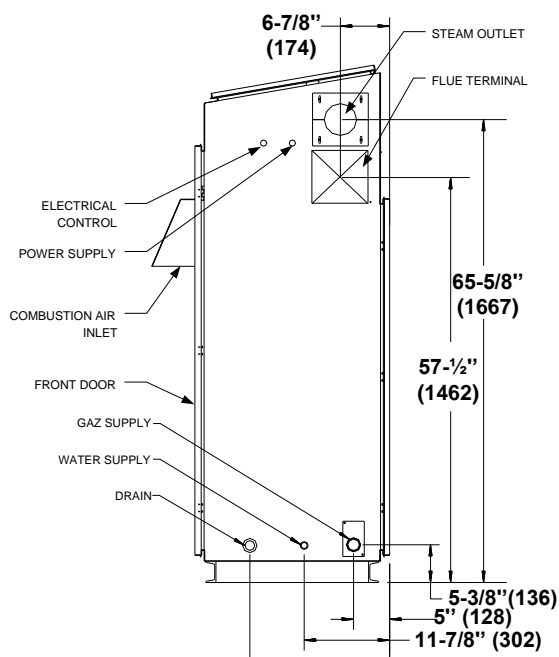
### Option - Weather proof enclosure general dimension and weight



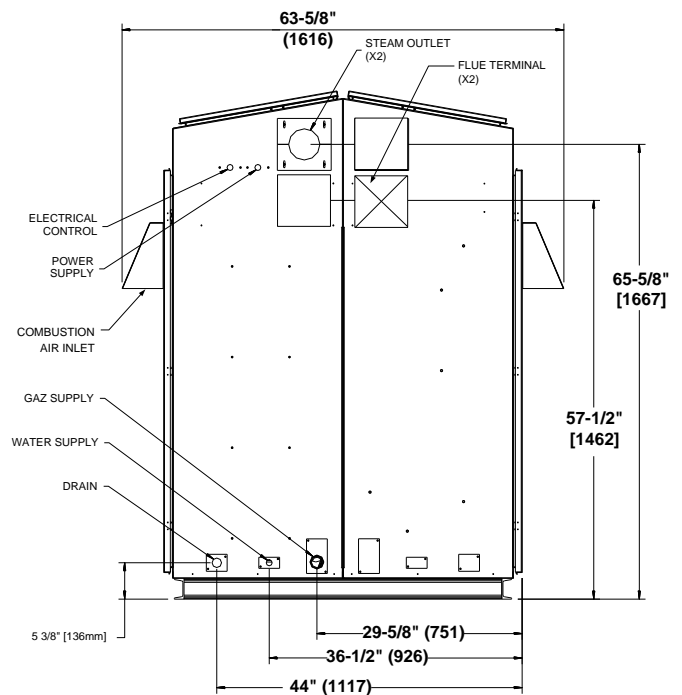
Weather proof enclos. 1 to 3 modules configuration - Fig. 5



Weather proof enclos. 4 modules configuration - Fig. 6



Weather proof enclosure.  
Connection positions 1 to 3 modules - Fig. 7  
(dimensions in bracket are in mm)



Weather proof enclosure  
Connection positions 4 modules - Fig. 8  
(dimensions in bracket are in mm)

Model	No of modules	Dimensions in inches [mm]				Weight Lbs [Kg]	
		T	U	V	W	Empty	Full of water
SKG3-110-1 N/P SKG3-155-1 N/P SKG3-180-1 N/P SKG3-210-1 N/P	1	73-1/2" [1867]	30" [762]	33-1/8" [841]	30" [762]	627 [285]	748 [340]
SKG3-265-2 N/P SKG3-310-2 N/P SKG3-350-2 N/P SKG3-405-2 N/P	2	73-1/2" [1867]	55-3/8" [1407]	33-1/8" [841]	28" [711]	1,038 [472]	1,280 [582]
SKG3-505-3 N/P SKG3-560-3 N/P SKG3-610-3 N/P	3	73-1/2" [1867]	81-1/4" [2064]	33-1/8" [841]	28" [711]	1,436 [653]	1,800 [818]
SKG3-710-4 N/P SKG3-765-4 N/P SKG3-810-4 N/P	4	73-1/2" [1867]	55-3/8" [1407]	63-5/8" [1616]	52-9/16" [1335]	1,826 [830]	2,310 [1,050]

## Handling & Unpacking



### Handling and Lifting

Lifting or handling **MUST** only be carried out by trained and qualified personnel. Ensure that the lifting operation has been properly planned, risk assessed and that all equipment has been checked by a skilled and competent Health & Safety representative and that effective control measures have been put in place.

It is the customer's responsibility to ensure that operators are trained in handling heavy goods and that all relevant lifting regulations are enforced.

Refer to Dimensions & Weight section for system dry weights.

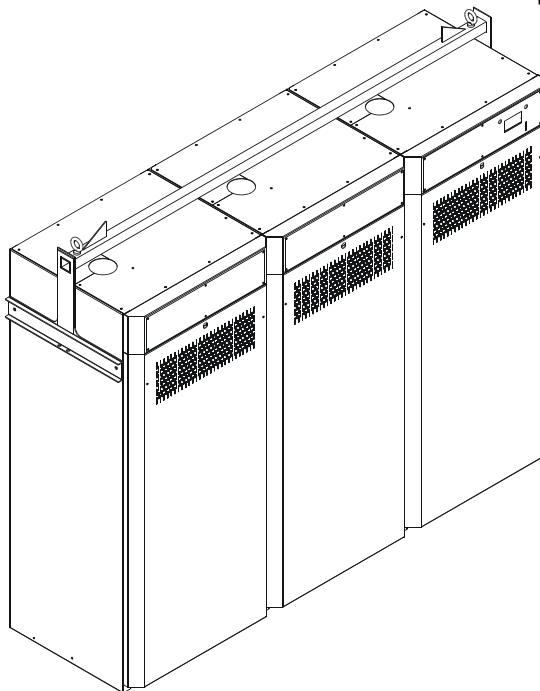
The SKG3 Steam Humidifier **MUST** always be handled and lifted with care and must remain in its original packaging for as long as possible prior to installation

The SKG3 Steam Humidifier package may be carried using a forklift from the underside. Caution must be exercised to ensure balanced load before lifting.

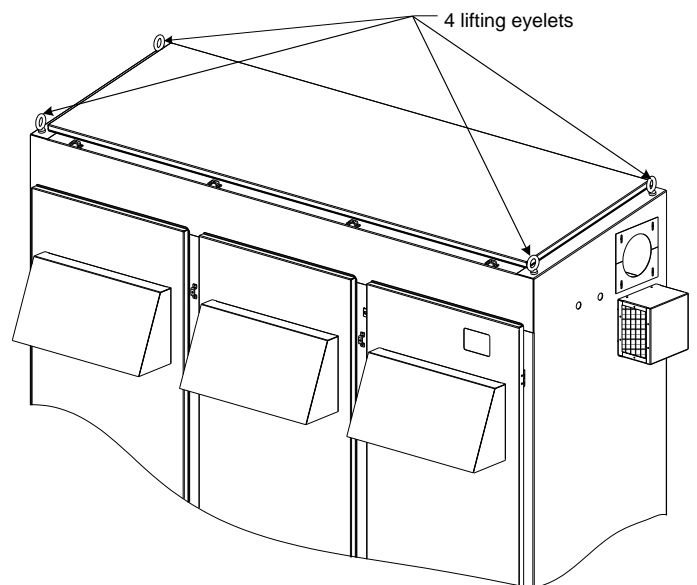
Lifting of SKG3 Steam Humidifier **MUST ALWAYS** be done using the appropriate Neptronic Lifting Bracket (sold separately).

Lifting sling angle must be greater than 30° to the horizontal.

Optional weather proof enclosure is provided with four (4) lifting eyelets located at each corner on the top of the enclosure, see fig. 10.



Standard enclosure lifting bracket - Fig. 9



Weather proof enclosure point for lifting - Fig. 10

**Unpacking** SKG3 Steam Humidifier is shipped on a wooden crate.

Remove packing wooden crate and skids prior to commissioning.

### List of Accessories Supplied

#### Standard enclosure

- 2 sets of keys.
- 2 adjustable steam hose collars per module to connect to connect on the steam output.

#### Weather proof enclosure

- 2 adjustable steam hose collars per internal steam manifold.

- *Startup check list & Combustion field adjustment instructions.*
- *The present Installation Instructions and User Manual.*
- *Wiring diagram affixed onto the interior of the front access door.*
- *Service and troubleshooting guide.*
- *BACnet® communication module user guide (if BACnet® option is installed).*

## Installation Overview



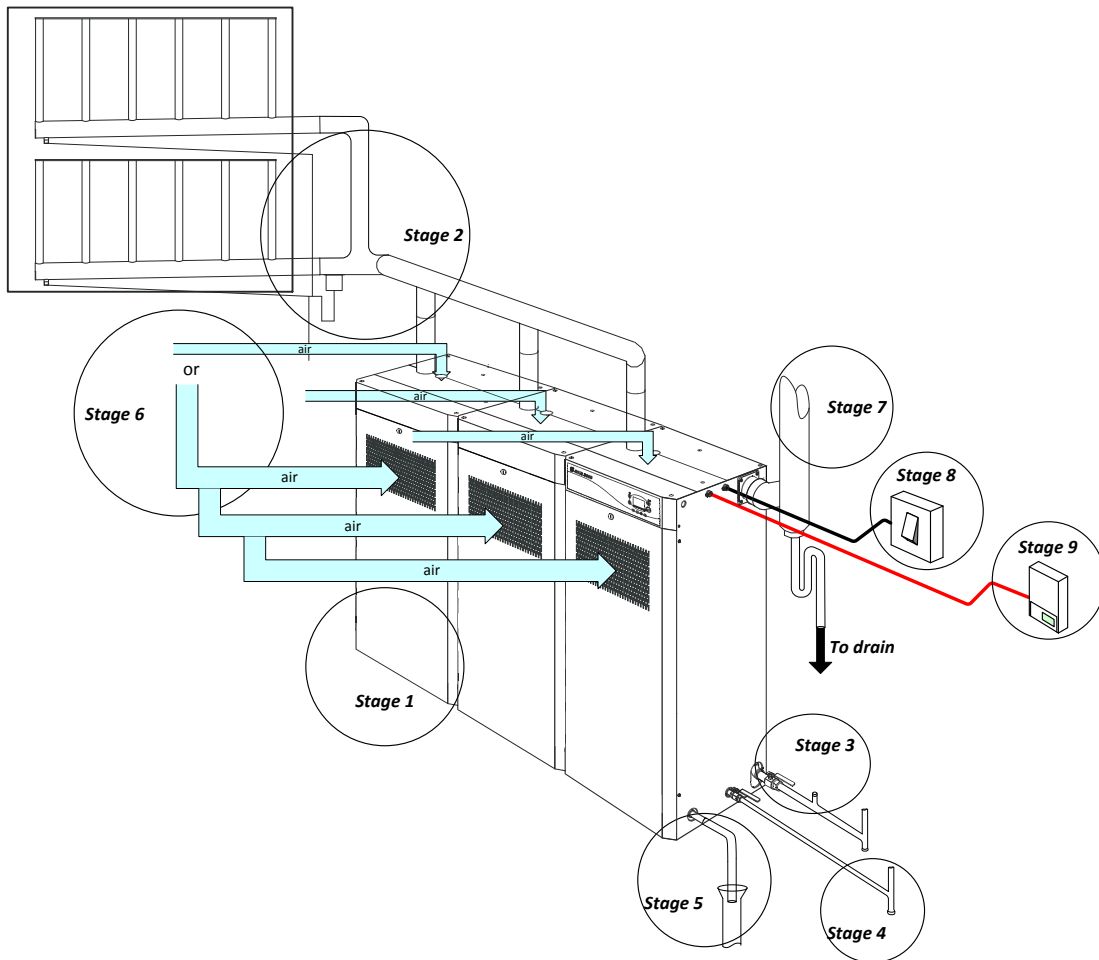
All installation work must comply with local regulations.

All work related to the installation of the SKG3 Steam Humidifier **MUST** only be performed by skilled and qualified technical personnel (e.g. qualified gas installer, fitters, electricians, plumbers or technicians with appropriate training). The customer is responsible for ensuring their suitability.

To install the SKG3 Steam Humidifier and its associated components, no special tooling is required above that of a fitter's toolkit.

**Installation  
Method  
Statement**

- Stage 1: Unit Positioning and Mounting
- Stage 2: Steam Distribution Installation
- Stage 3: Gas Supply Connection
- Stage 4: Water Supply Installation
- Stage 5: Water Drain Connection
- Stage 6: Combustion Air Installation
- Stage 7: Flue Gas Venting Connection
- Stage 8: Electrical Supply and Installation
- Stage 9: Electrical Control Connections



Installation overview - Fig. 11

## Stage 1 – Unit Positioning and Mounting

**Safety Considerations**



Any installation work **MUST** be carried out by suitably qualified personnel.

The following considerations must be taken into account before deciding on the location of the SKG3 Steam Humidifier:

- Locate the SKG3 Steam Humidifier in an area clear of combustible materials, gasoline, and other flammable vapors and liquids. Do not install in potentially explosive or flammable atmospheres laden with grain dust, sawdust, or similar airborne materials.
- If the appliance is installed in an insulated area, it must be kept free and clear of insulating materials, as they may be combustible. If insulation is added after the humidifier is installed, an inspection of the humidifier area must be carried out to ensure that there is no insulation coming into contact with the humidifier.
- Provide adequate room ventilation air in accordance with local codes and regulations. With the exception of ducted combustion air installation, do not locate units in tightly sealed rooms or small compartments without provision for adequate air for combustion and room ventilation. Combustion and ventilation air must be supplied through one permanent low-level and one permanent high-level opening communicating directly with the outside air.
- Humidifier flue gases must be vented to the outdoors. Locate the humidifier as close as possible to an outside wall or roof to ensure that the flue pipe from the humidifier is short and direct.
- Locate the SKG3 Steam Humidifier on a water proof floor or install a drain pan beneath the humidifier.
- The humidifier must be installed in such a way to ensure that the steam hose length is kept to the shortest possible length.
- For flexible steam hoses: the total steam line length must not exceed 16 feet (5 meters). For longer distances, use insulated hard piping.
- For insulated hard piping: the total steam line length must not exceed 50 feet (15 m). For longer steam line runs, consult factory.
- The humidifier must be located in an area that is fully accessible for inspection and servicing. Observe the minimum access distances as shown in figures 12 & 13.

**Positioning the Humidifier**

**Ambient Condition & Altitude**

The humidifier location **MUST** have an ambient temperature of less than 86°F (30°C).

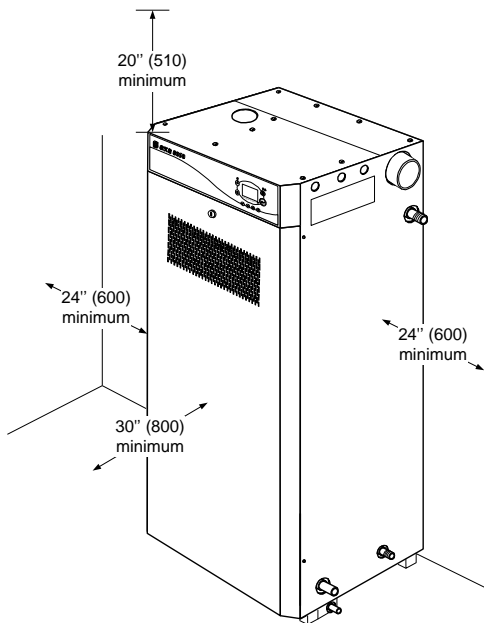
If the above condition is not respected for indoor humidifiers, the warranty of the unit will be void, as it has not been designed to operate under extreme external conditions.

The SKG3 Steam Humidifier combustion burner is self-adjusting for any altitude; the burner will maintain proper combustion and low emission at any altitude.

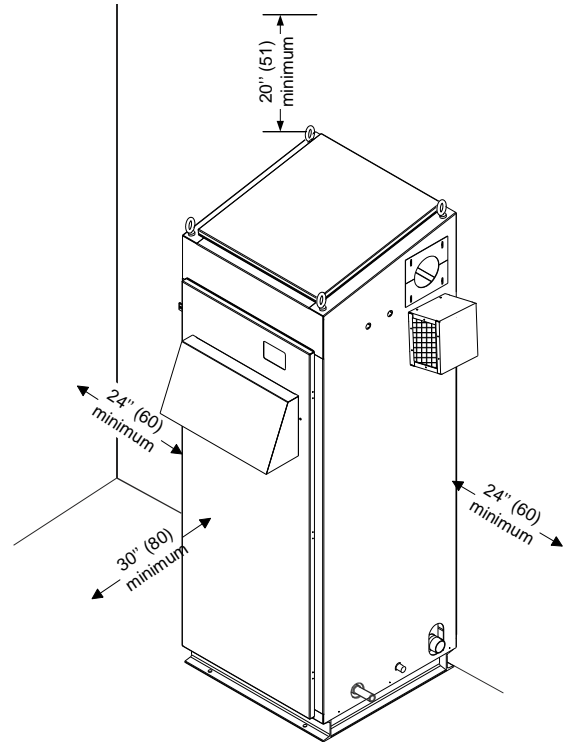
Steam capacity will be affected by altitudes over 3,500 feet (1,050 m) above sea level. Please refer to the table below to anticipate the ratio of output reduction:

Altitude above sea level (feet) [m]	Output reduction (%)
0 to 3500 [0 to 1050]	0
3501 to 4500 [1051 to 1350]	2
4501 to 5550 [1351 to 1650]	4
5501 to 6500 [1651 to 1950]	6
6501 to 7500 [1951 to 2250]	8

## Stage 1 – Unit Positioning and Mounting



Standard enclosure clearance - Fig. 12  
 (dimensions in bracket are in mm)



Weather proof enclosure clearance - Fig. 13  
 (dimensions in bracket are in mm)

### Minimum Clearances

Minimum clearances are :

#### Standard enclosure

- Top: 20" (51cm) minimum
- Both sides: 24" (60cm) minimum
- Front: 30" (80cm) minimum

#### Weather proof enclosure

- Top: 20" (51cm) minimum
- Connection side: 24" (60cm) minimum
- Front: 30" (80cm) minimum

*Note: Above minimum clearances are indicated for inspection and servicing access. The SKG3 Steam Humidifier is designed for 0 clearance to combustible materials, except on top and front, where minimum clearances to combustible materials is respectively 20" (510mm) and 29.9" (762mm).*

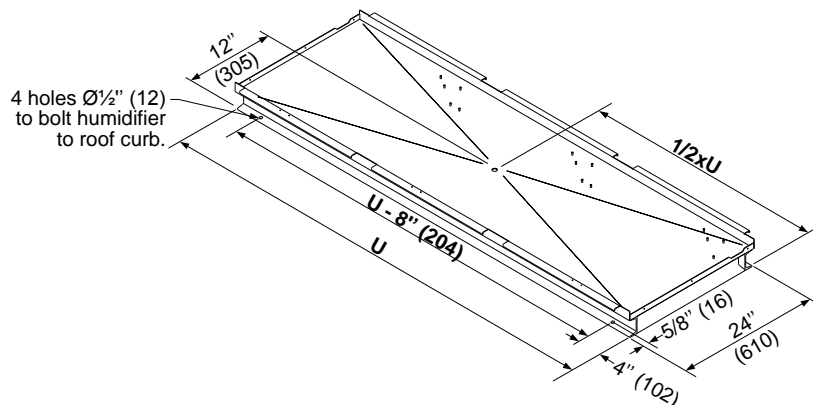
The humidifier is designed to be installed directly on the floor.

Provide a level, solid foundation for the humidifier.

Ensure that the floor beneath the humidifier is water proof to withstand any water spillage during servicing or if a problem occurs.

The humidifier is provided with adjustable legs in order to ensure proper level.

### Roof Curb for Weather Proof Enclosure



Weather proof enclosure base dimensions - Fig. 14  
 (dimensions in bracket are in mm)

Ensure that roof curb is structurally built to support the weight of the SKG3 humidifier. Roof curb must provide proper level to the humidifier.

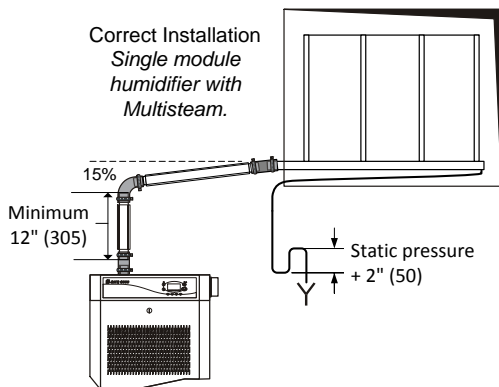
The base of the weather proof enclosure is provided with 4 holes  $\varnothing 1/2"$  (12mm) to bolt the SKG3 humidifier to the roof curb.

## Stage 2 – Steam Distribution Installation

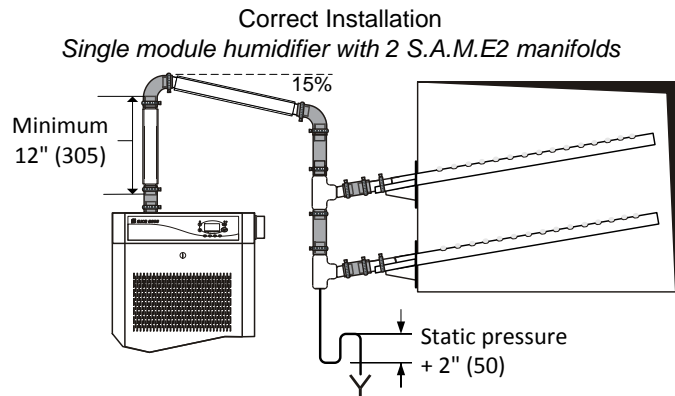
### Fundamental Design Concepts



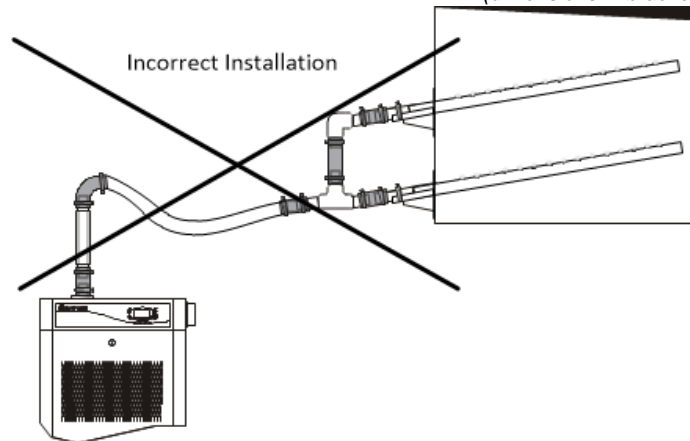
1. Minimum steam pipe gradient must be 7° i.e. 5" (125mm) rise in 40" (1m) run.
2. The lowest point of any steam hose or rigid pipe must be the humidifier. Otherwise, a steam trap (S trap) must be installed at the lowest point of the steam line. This steam trap must be installed higher than the static pressure of the system by at least 2" (50mm).
3. Total length of the flexible steam hose must not exceed 16 feet (5 m) or insulated rigid piping must not exceed 50 feet (15 m).
4. Whenever possible, use rigid copper piping. Flexible steam hoses can be used for short runs or for interconnecting between rigid pipe runs. Ensure that there is no kink in the flexible hose.  
When using a rigid copper pipe, insulation must be used to diminish condensation build up.



Steam distribution correct installation 1 - Fig. 15a  
(dimensions in bracket are in mm)



Steam distribution correct installation 2 - Fig. 15b  
(dimensions in bracket are in mm)

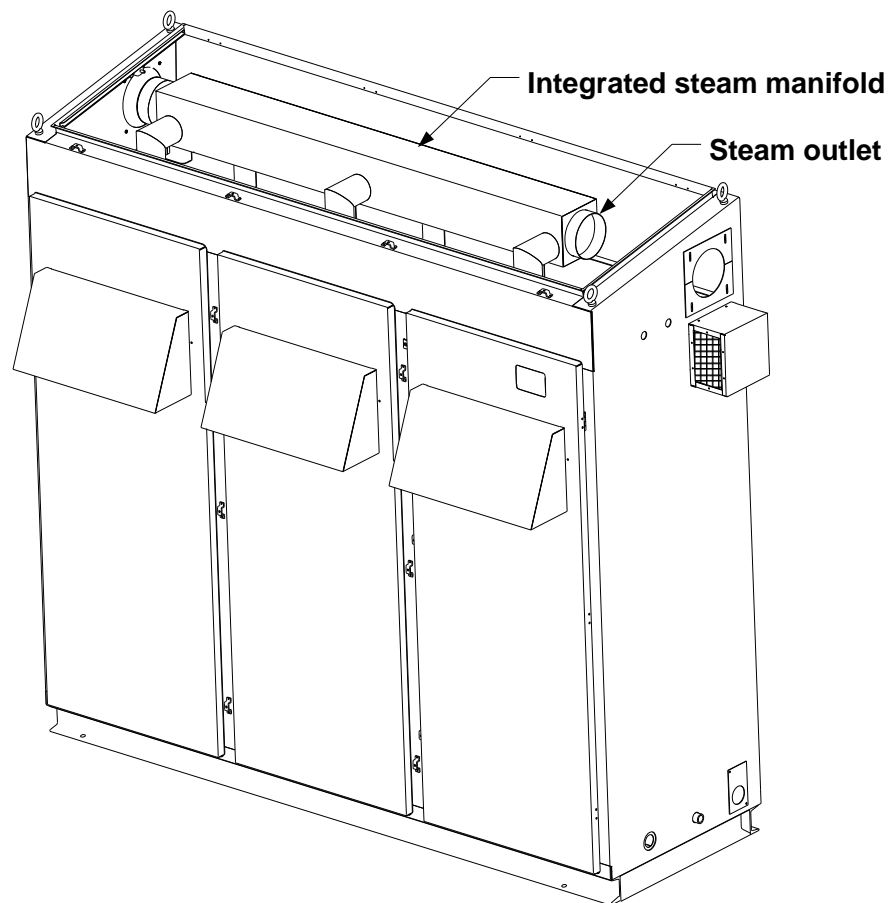


Incorrect installation - Fig. 16

5. Connection pipe sizes between SKG3 and steam distributor in the duct must be:
  - 3" (76mm) up to 220lb/h (100kg/h)
  - 4" (100mm) up to 440lb/h (200kg/h)
  - 5" (125mm) up to 660lb/h (300kg/h)
6. All humidifiers below 220lb/h (100kg/h) capacity must use standard Neptronic® S.A.M.E2 steam distribution pipes. Multi-Steam can be offered if shorter absorption distances are required.
7. All humidifiers above 220lb/h (100kg/h) capacity must use the Multi-Steam.
8. All humidifiers above 660lb/h (300kg/h) must use 2 Multi-Steam units per air handling unit (AHU) or air duct, with an equal duty split to each Multi-Steam.

## Stage 2 – Steam Distribution Installation

### Steam Outlet Configuration for Weather Proof Enclosure



Weather proof enclosure single steam outlet - Fig. 17

The SKG3 humidifier with weather proof enclosure is provided with an integrated steam manifold with an outlet located on either one of the sides of the humidifier.

By default, the steam outlet will be on the right side of the humidifier (when facing the control panel). Steam outlet side can be switched to left upon request to factory.

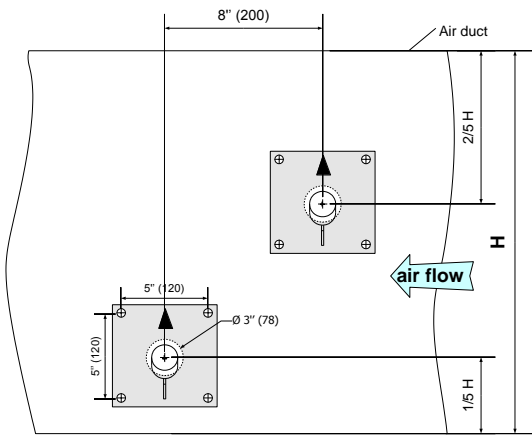
### Weather Proof Enclosure Steam Outlet Dimension & Quantity

Model	Steam outlet Qty	Steam outlet diameter
SKG3 110-1, 155-1, 180-1, 210-1	1	Ø3" (76mm)
SKG3 265-2, 310-2, 350-2, 405-2	1	Ø4" (100mm)
SKG3 505-3, 560-3, 610-3	1	Ø5" (125mm)
SKG3 710-4, 765-4, 810-4	2	Ø4" (100mm)

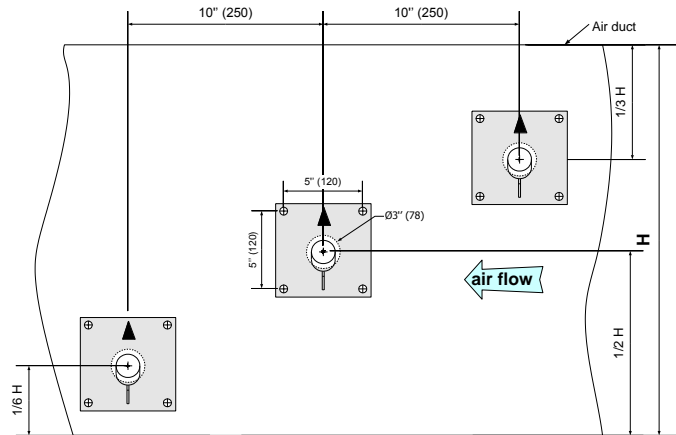
## Stage 2 – Steam Distribution Installation

### Selection of Steam Distribution Manifolds

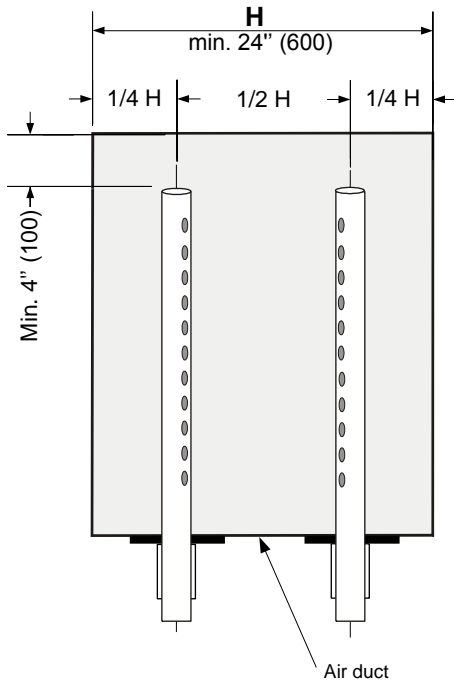
1. The minimum steam manifold length that can be used with the SKG3-110-1 to SKG3-210-1 is 35" (900mm). Any manifold below this dimension will have insufficient outlet spigots to allow proper steam distribution.
2. If duct size is below a width of 35" (900mm) width, it will be necessary to either fit multiple pipes or use a Multi-Steam system.



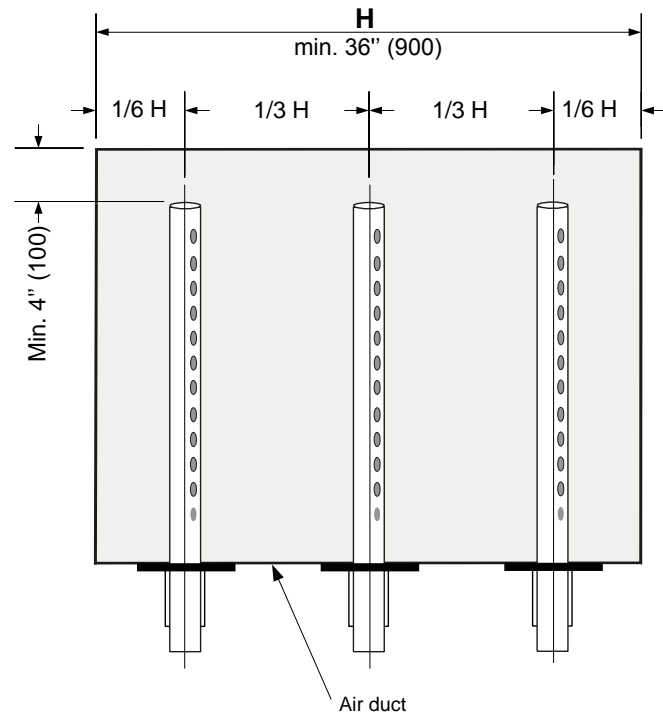
Horizontal duct – 2 manifolds - Fig. 18  
 (dimensions in bracket are in mm)



Horizontal duct – 3 manifolds - Fig. 19  
 (dimensions in bracket are in mm)



Vertical duct – 2 manifolds - Fig. 20  
 (dimensions in bracket are in mm)



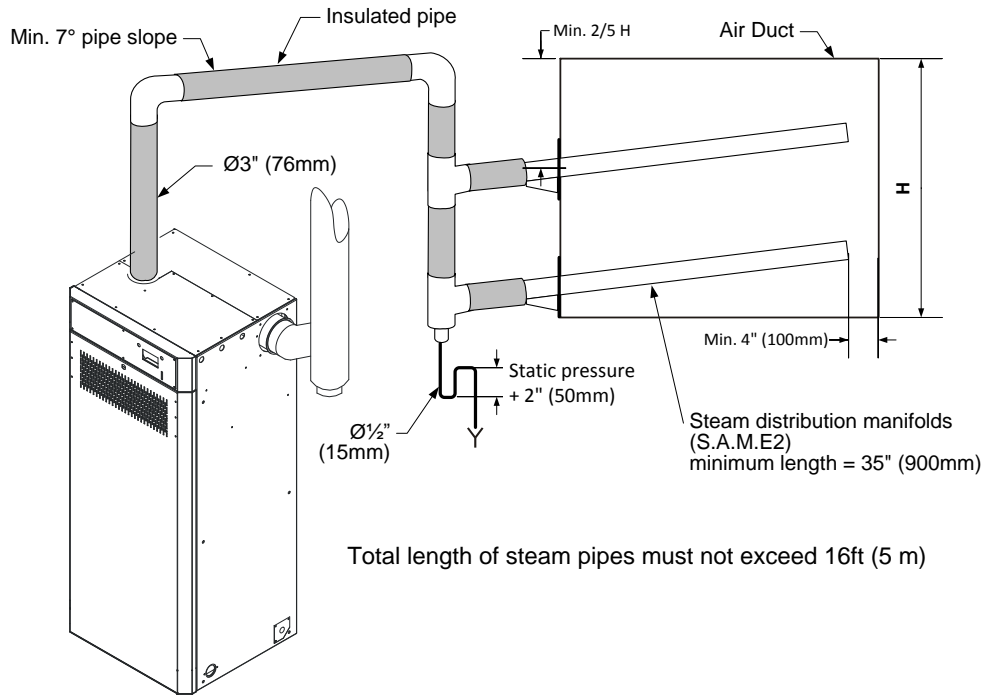
Vertical duct – 3 manifolds - Fig. 21  
 (dimensions in bracket are in mm)



## Stage 2 – Steam Distribution Installation

### Steam Pipe Work to Duct Connections (SKG3-110 to 210)

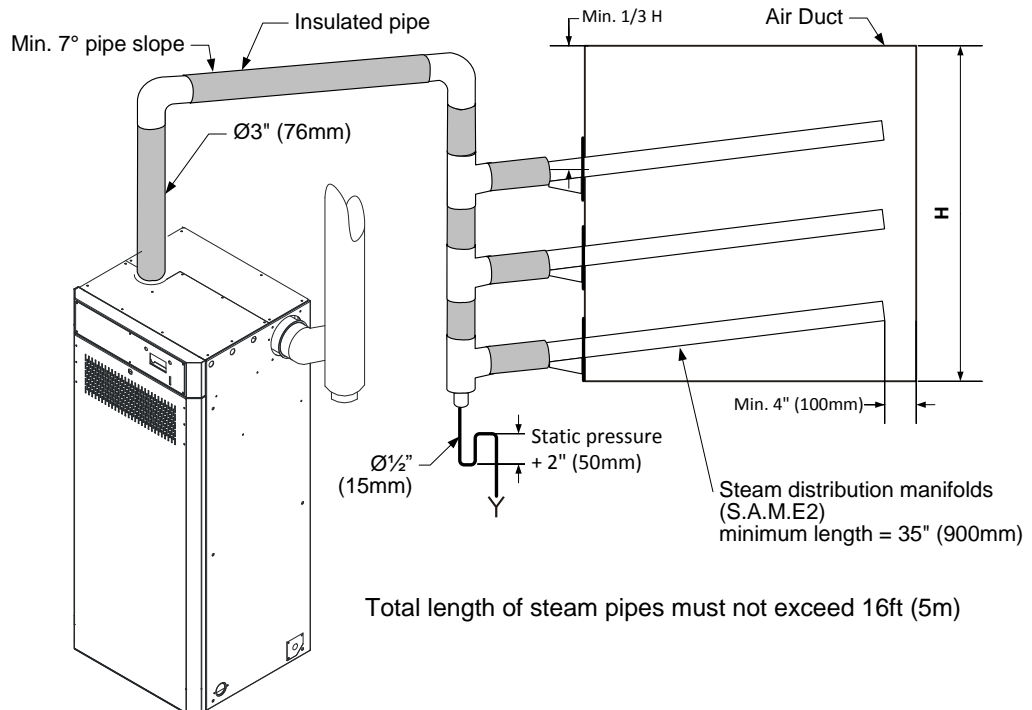
#### SKG3-110



Steam pipe work SKG3-110, SAM - Fig. 22

A single Ø3" (76mm) feed pipe must be connected to two (2) S.A.M.E2 steam manifolds with a suitable reduction at the lowest point to allow a Ø½" (15mm) condensate drain from the main steam supply.

#### SKG3 155, 180, 210



Steam pipe work SKG3-155 to 210, SAM - Fig. 23

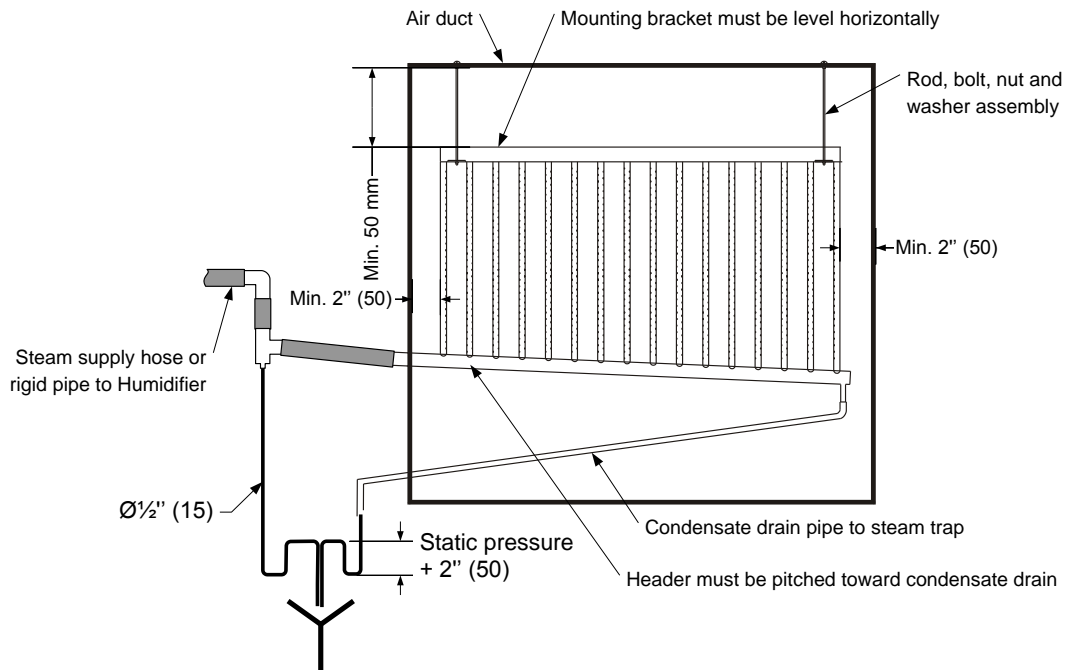
A single Ø3" (76mm) feed pipe must be connected to 3 S.A.M.E2 steam manifolds with a suitable reduction at the lowest point to allow a Ø½" (15mm) condensate drain from the main steam supply.



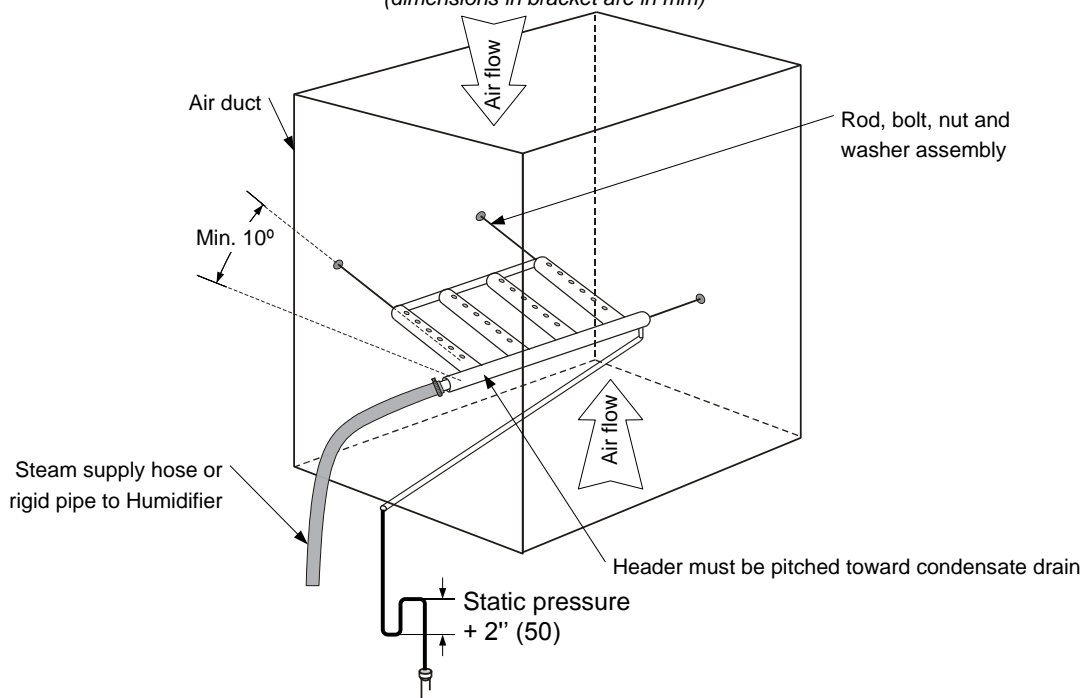
## Stage 2 – Steam Distribution Installation

### Selection of Multi-Steam

1. For all Multi-Steam units, use the Neptronic® Humidisoft program to size the unit.
2. Where two Multi-Steam units are required with duties in excess of 528lb/h (240kg/h), make your selection using the following rules:
  - Divide the air volume flow in half.
  - Divide the AHU / air duct **width** in half.
  - **Height** of the duct must remain at 100% its height.
  - This will size the Multi-Steam units so that they can be placed side by side.
3. For installation of Multi-Steam units please refer to Neptronic® Multi-Steam Installation Instructions



Multi-Steam in Horizontal duct - Fig. 24  
(dimensions in bracket are in mm)

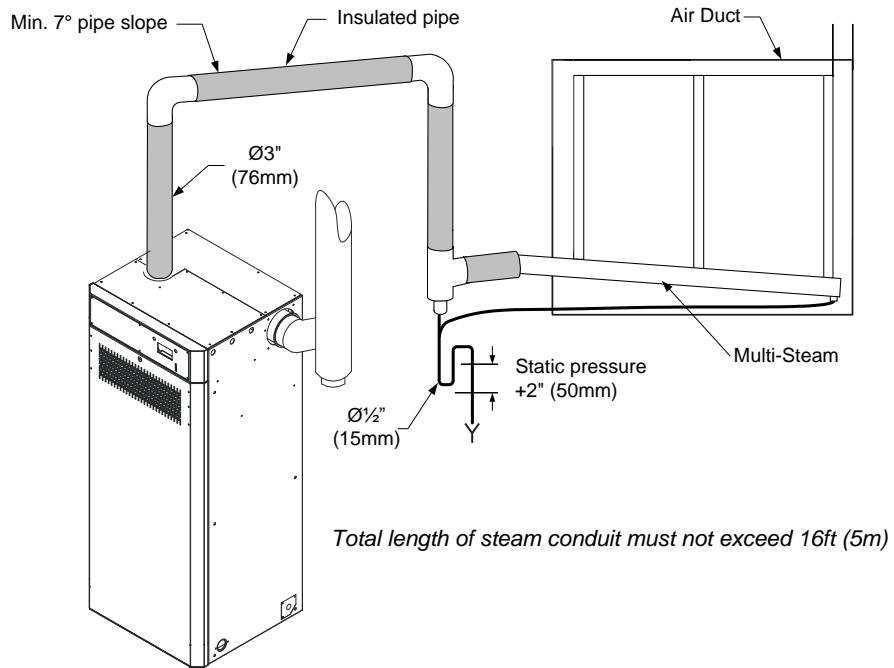


Multi-Steam in Vertical duct - Fig. 25  
(dimensions in bracket are in mm)

## Stage 2 – Steam Distribution Installation

### Steam Pipe Work to Duct Connections (SKG3-110 to 810)

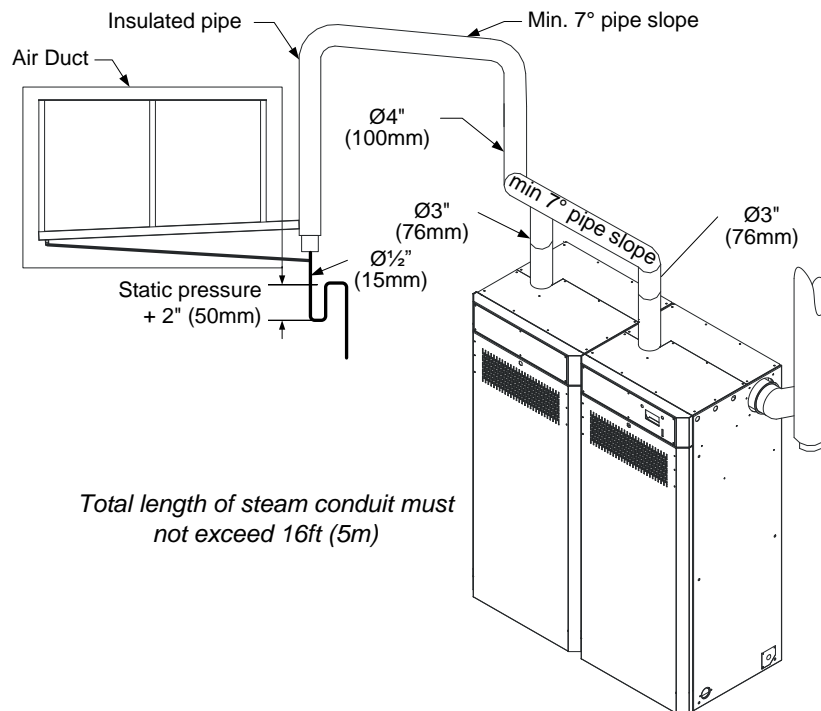
#### SKG3-110 to 265



Steam pipe work 1 module, Multi-Steam - Fig. 26

A single Ø3" (76mm) feed pipe must be connected to a single Multi-Steam with a suitable reduction at the lowest point to allow a Ø½" (15mm) condensate drain from the main steam supply.

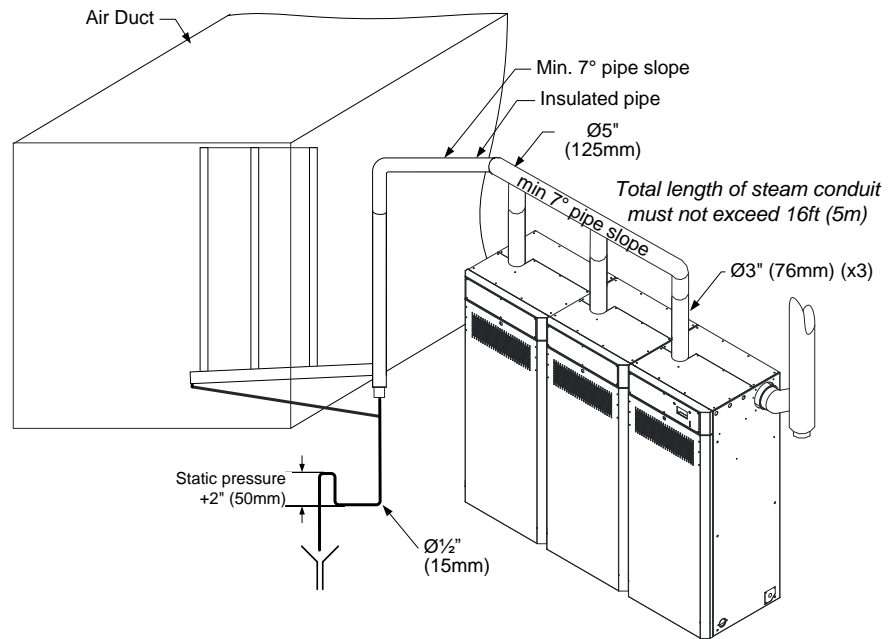
#### SKG3-265 to 405



Steam pipe work 2 modules, Multi-Steam - Fig. 27

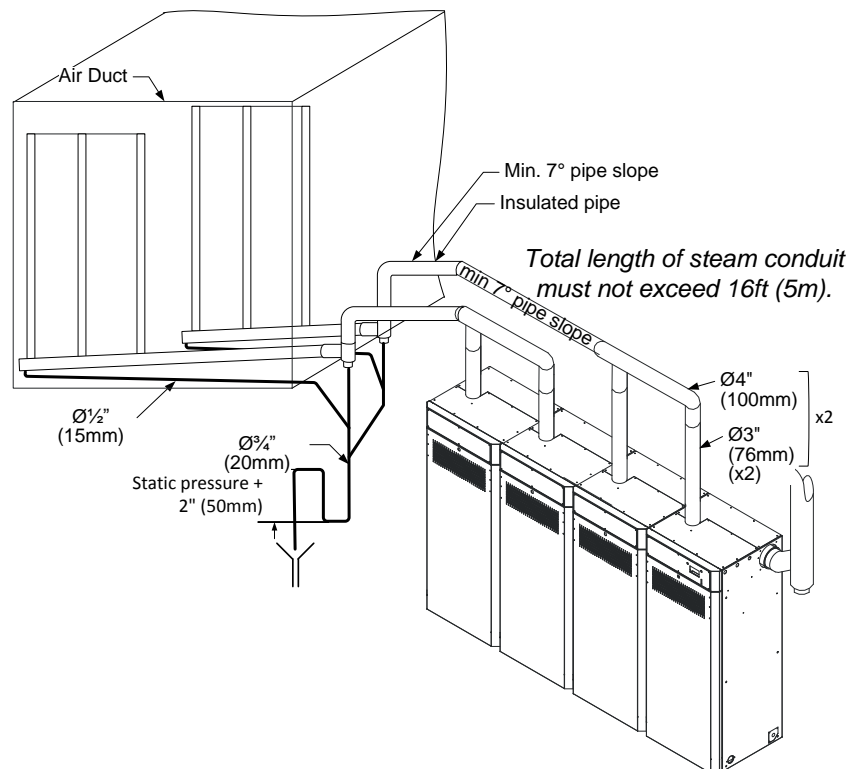
Two Ø3" (76mm) steam outlets to a single Ø4" (100mm) feed pipe must be connected to a single Multi-Steam with a suitable reduction at the lowest point to allow a Ø½" (15mm) condensate drain from the main steam supply.

## Stage 2 – Steam Distribution Installation

**SKG3-505 to 610**


Steam pipe work 3 modules - Fig. 28

Three Ø3" (76mm) steam outlets to a single Ø5" (125mm) feed pipe must be connected to a double Multi-Steam with a suitable reduction at the lowest point to allow a Ø½" (15mm) condensate drain from the main steam supply.

**SKG3-710 to 810**


Steam pipe work 4 modules, Multi-Steam - Fig. 29

Two Ø3" (76mm) steam outlets to a single Ø4" (100mm) feed pipe must be connected to a single Multi-Steam with a suitable reduction at the lowest point to allow a Ø½" (15mm) condensate drain from the main steam supply.

This must be reproduced two times.

If the two Ø½" (15mm) condensate pipes are connected, the common condensate drain must be Ø¾" (20mm).

## Stage 3 – Gas Supply Connection



**CAUTION:** Gas piping installation **MUST** comply with all local codes and regulations, and current ANSI Z223.1, “National Fuel Gas Code” or CAN/CSA-B149.

Gas pressure to the humidifier **MUST** never exceed 26” w.c. (6kPa).

A manual shut off valve (not supplied) **MUST** be installed on the gas supply line to the humidifier. Ensure adequate size for the gas supply line (see below table).

A 1/8” NPT plugged tapping for test pressure gauge connection must be installed immediately upstream of the gas supply line.

Pipes must be inspected for dirt and chips after threading and reaming the end of pipes.

Gas piping installation must be supported so that no strains are imposed on the Humidifier or controls.

Two wrenches must be used when connecting piping to the humidifier.

Drip pocket must be provided at any low spot in the gas line.

Minimum gas pipe gradient must be 1/4” (1.5mm) in 40” (1m) horizontal run.

Air purge must be done by disconnecting piping at the gas valve.

Air purge **MUST NOT** be done at the heat exchanger of the humidifier.

After installation, field piping and humidifier gas train must be checked for leaks.

Do not use soap solution or open flame on humidifier gas train. A gas leak detector must be used.

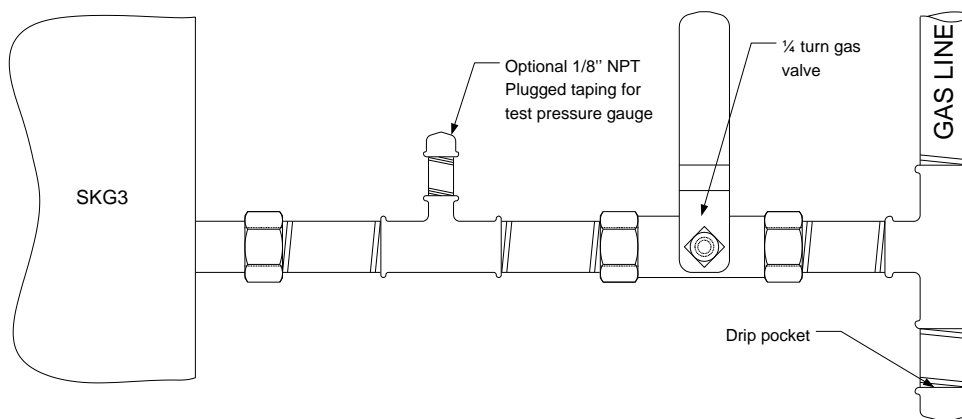
All leaks **MUST** be sealed prior to commissioning the humidifier.

### Gas Pipe Diameter

Model	Gas Connection size
SKG3- 110, 155, 180, 210, 265, 310, 350, 405	Ø1” NPT (25mm) Male
SKG3- 505, 560, 610, 710, 765, 810	Ø1-1/2” NPT (40mm) Male

Please refer to local codes and regulations regarding the type and volume of gas handled, in order to obtain the pressure drop allowed in the gas line and to determine gas pipe diameter.

When multiple SKG3 humidifier modules are installed, total capacity, gas flow and length of main must be taken into account.



Gas supply connection - Fig. 30

### Gas Leak Test

Pressure testing of the gas supply piping must be performed by the gas installer in accordance with local codes and regulations.

Test pressure must be relieved from the gas piping system prior to opening the manual shut off valve of the humidifier.

For any test pressure over 50psig (350kPa), humidifier **MUST** be disconnected (at the gas shut off valve).

Gas supply pressure at the inlet pressure tap, when all burners are running, must be:

- 7” w.c. (1.75kPa) for Natural Gas.
- 14” w.c. (3.5 kPa) for Propane and Butane.

## Stage 4 – Water Supply Installation



Water supply installation must conform to local codes and regulations.  
 Any installation work must be carried out by suitably qualified personnel.

### Water Inlet Specifications

The Neptronic® SKG3 Humidifier is designed to be used with tap, reverse osmosis, de-ionized and de-mineralized water.

Maximum water supply pressure: 10 to 70psig (70 to 480kPa)

Minimum water temperature: 49°F (+4°C)

Maximum water temperature: 104°F (+40°C)

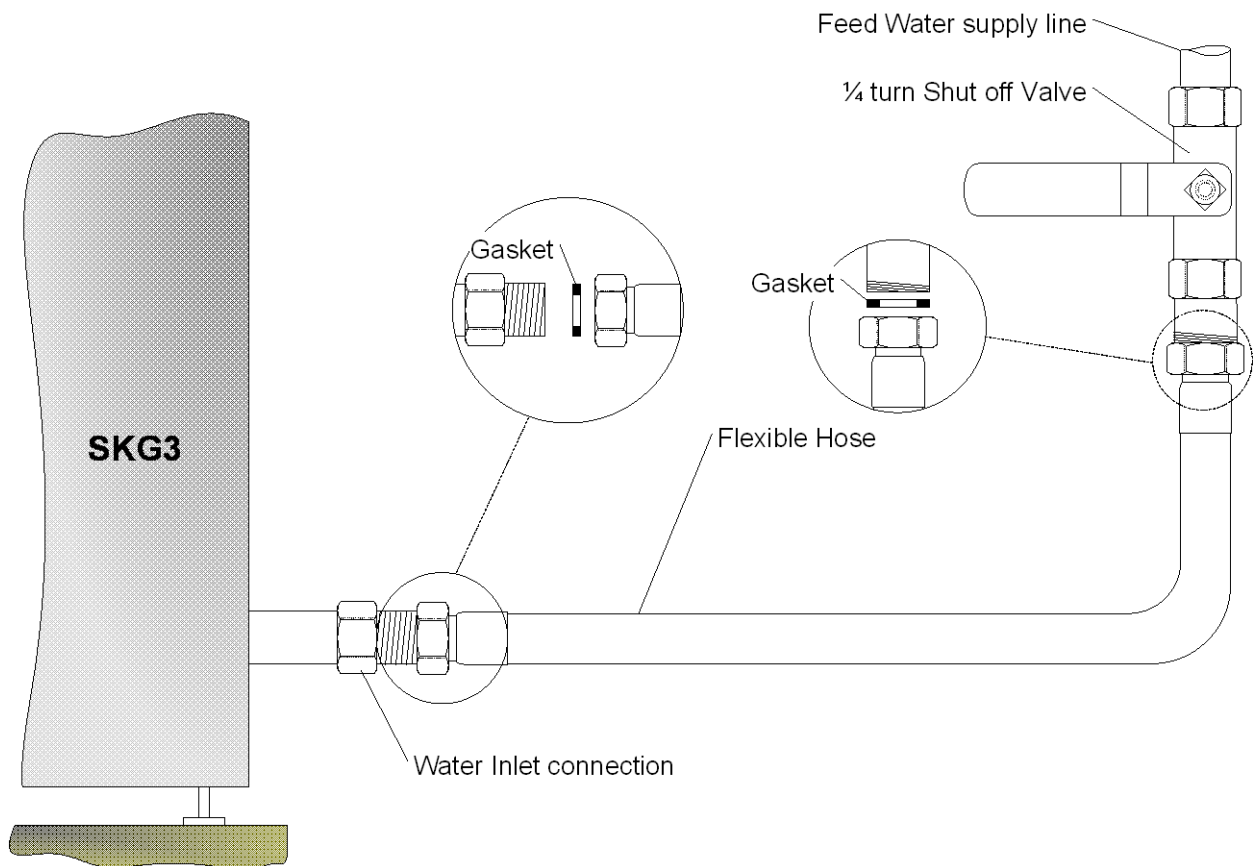
<i>Model</i>	<i>Water inlet Connection size</i>
<b>SKG3-110 to 810</b>	Ø1/2" NPT (15mm) Male

### Water Supply Line Installation

To facilitate servicing, a shut off valve (not supplied) must be installed on the water line, within 40" (1m) of the humidifier.

It is recommended to install a water hammer arrestor, in order to absorb hydraulic shock and minimize water hammer when the fill valve closes.

For outdoor installations in which the ambient temperature is below 32°F (0°C), ensure that all outdoor water supply pipe lines are properly insulated and heat traced in order to prevent freezing.



Water supply connection - Fig. 31

## Stage 5 – Water Drain Connection



### Water Drain Specification

Water drain installation must conform to local codes and regulations.  
Any installation work must be carried out by suitably qualified personnel.

Water drain temperature: 140°F (+60°C)

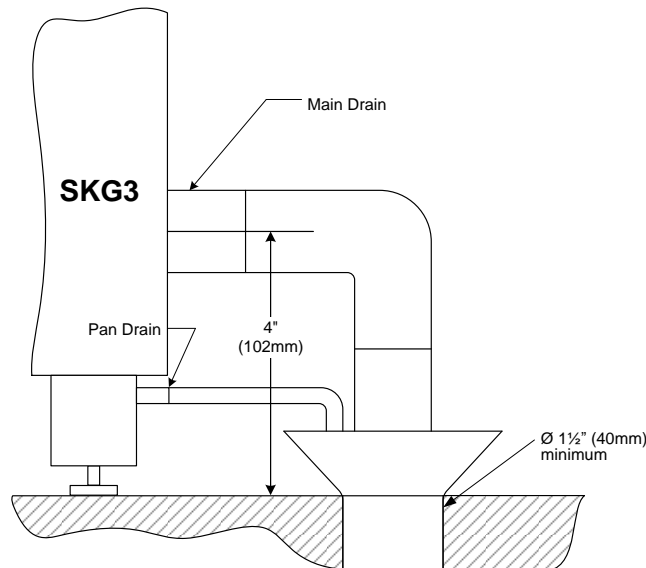
Model	Main Drain Outlet Connection size	Pan Drain outlet connection size
SKG3-110 to 210	Ø <sup>3</sup> / <sub>4</sub> " (20mm)	Ø <sup>1</sup> / <sub>2</sub> " (15mm)
SKG3-265 to 810	Ø1 ½" (40mm)	

### Water Drain Installation

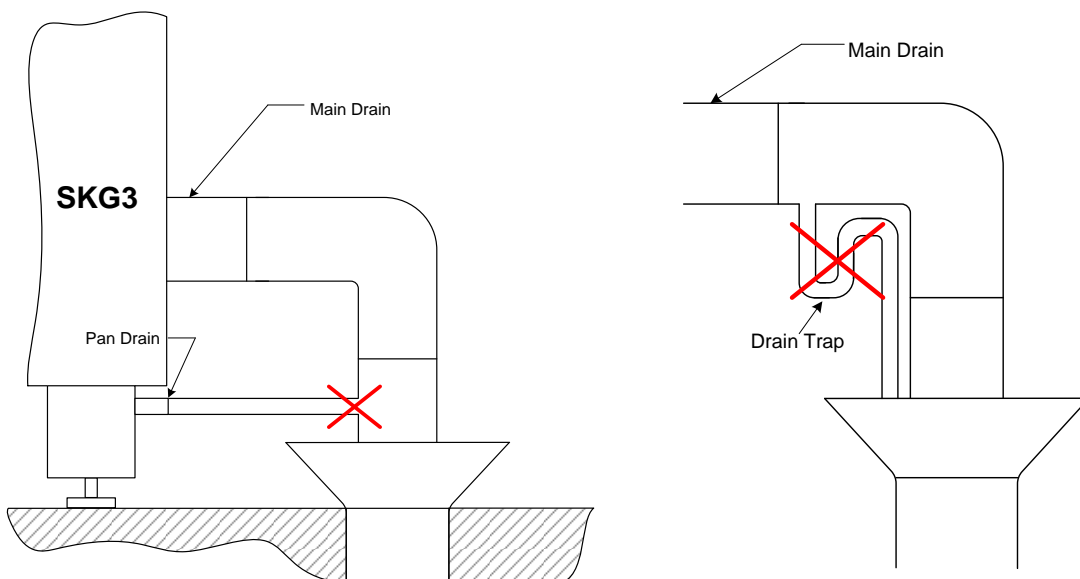
Water drain outlet connection must be connected to drain pipe of sufficient size.  
Minimum water drain pipe gradient must be ¼" (6.5mm) per foot (300mm) horizontal run.

No drain trap is required.

Pan drain connection must be connected to drain pipe through separated line.



Drain connection: Correct installation - Fig. 32

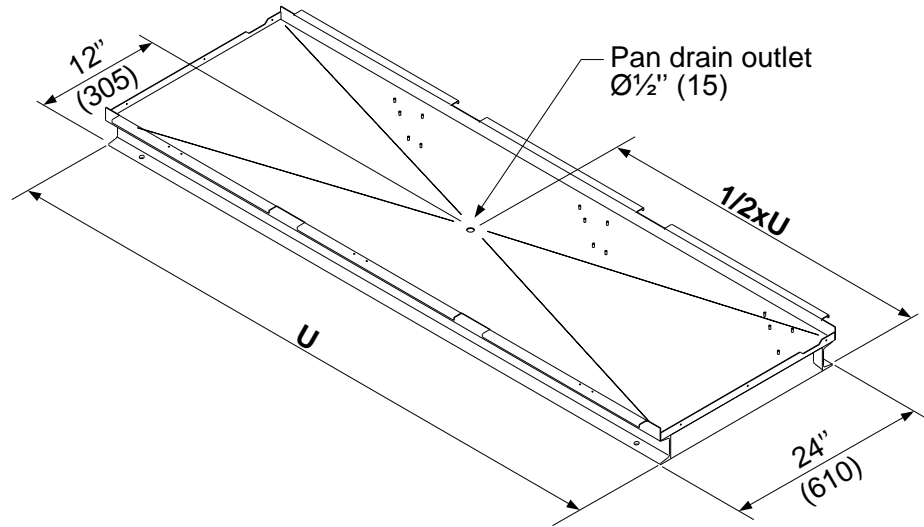


Drain connection: Incorrect installation - Fig. 33

## Stage 5 – Water Drain Connection

### **Pan Drain Connection on Weather Proof Enclosure**

Weather proof enclosure is provided with a pan drain at the base of the SKG3 humidifier.



*Weather proof enclosure base pan drain outlet dimension - Fig. 34  
 (dimensions in bracket are in mm)*

### **Weather Proof Enclosure Water Drain Valve**

The weather proof enclosure is equipped with a normally open valve, enabling the humidifier to drain all water during a power failure, in order to prevent water from freezing within the unit. During normal operation, the humidifier reduces drain water temperature to 140°F (60°C).



**CAUTION:** During a power failure, the drain water temperature is not reduced. Installed drain piping must be rated to 212°F (100°C).



## Stage 6 – Combustion Air Installation

---



**CAUTION:** Combustion and room ventilation air must conform to local codes and regulations and to section 7.2, 7.3 or 7.4, Air for Combustion and Ventilation of the current ANSI Z223.1 "National Fuel Gas Code" or CAN/CSA-B149.

**CAUTION:** Air for combustion **MUST NOT** be contaminated by halogens, ammonia, bromides, chlorides, fluorides, iodides or dust. Excessive exposure of humidifier to these contaminants will result in performance related problems. A humidifier that may be operated in toxic environments must be equipped with ducted combustion air installation.

**CAUTION:** The operation exhaust of fans such as ventilation fans or other combustion appliances can create a negative pressure condition on the humidifier. Adequate air supply must be provided for the ventilation devices, in addition to that required by the humidifier.

Any installation work must be carried out by suitably qualified personnel.

With the exception of ducted combustion air installation, do not locate units in tightly sealed rooms or small compartments.

Combustion and ventilation air must be supplied through one permanent low-level and one permanent high-level opening communicating directly with the outside air.

Air intake(s) location must be at a sufficient height above ground level to prevent blocking by accumulated debris.

Supply air intake vent(s) must be equipped with a weather cap and bird screen, in order to prevent gusts of wind or water from entering, preventing mold build up or leakage in the ducts.

The SKG3 Steam Humidifier has filtered air openings through the front door. Do not block or obstruct the air openings of the humidifier.

The humidifier is factory adjusted for correct performance. Do not alter throttle setting or restrict blower combustion air inlet.

## Stage 6 – Combustion Air Installation

**Combustion Air  
Specification (1)**

Model	Number of Module	Natural Ventilation Installation (1)	
		Minimum Low level opening - inlet (in <sup>2</sup> ) [cm <sup>2</sup> ]	Minimum High level opening - outlet (in <sup>2</sup> ) [cm <sup>2</sup> ]
SKG3-110-1 N/P	1	40 [240]	40 [240]
SKG3-155-1 N/P	1	60 [360]	60 [360]
SKG3-180-1 N/P	1	70 [420]	70 [420]
SKG3-210-1 N/P	1	80 [480]	80 [480]
SKG3-265-2 N/P	2	100 [600]	100 [600]
SKG3-310-2 N/P	2	120 [720]	120 [720]
SKG3-350-2 N/P	2	140 [840]	140 [840]
SKG3-405-2 N/P	2	160 [960]	160 [960]
SKG3-505-3 N/P	3	180 [1080]	180 [1080]
SKG3-560-3 N/P	3	200 [1200]	200 [1200]
SKG3-610-3 N/P	3	240 [1440]	240 [1440]
SKG3-710-4 N/P	4	280 [1680]	280 [1680]
SKG3-765-4 N/P	4	300 [1800]	300 [1800]
SKG3-810-4 N/P	4	320 [1920]	320 [1920]

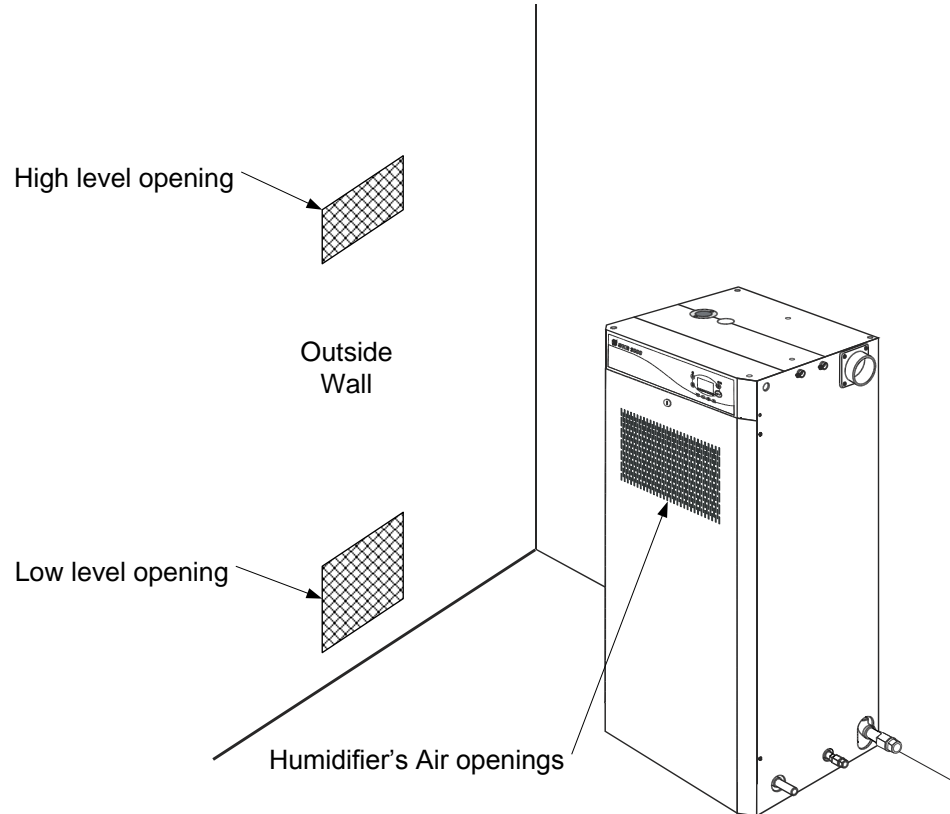
Note 1: These minimum openings section are specified for the combustion air requirement of the SKG3 Humidifier. If other gas fired appliances are installed in the same room, openings will have to be increased to be able to supply adequate combustion air for all appliances.

Note 2: “**Ducted Combustion Air**” option is available **only upon request**.

Note 3: For comparison with minimum flue gas venting spacing, refer to Stage 7 – Flue Gas Venting Connection.

## Stage 6 – Combustion Air Installation

### *Natural Ventilation Installation*



Natural ventilation configuration - Fig. 35

### **Ducted Combustion Air**

“Ducted Combustion Air” option, also called “Sealed Combustion”, is available upon request.

When ducted combustion air option is installed, requirement for minimum low level and high level natural ventilation does not apply.

Installation of the combustion air duct must be as direct as possible, minimizing the number of turns or elbows, with a maximum of 6 elbows in total.

Use only duct materials suitable to supply air from the outside to the humidifier.

Combustion air duct length and flue gases venting pipe must not exceed:

100ft (30m) – 10ft (3m) x (total # of 90° elbow) – 5ft (1.5m) x (total # of 45° elbow).

Combustion air duct must be insulated to avoid condensation around the duct when outside air temperature is below 32°F (0°C).

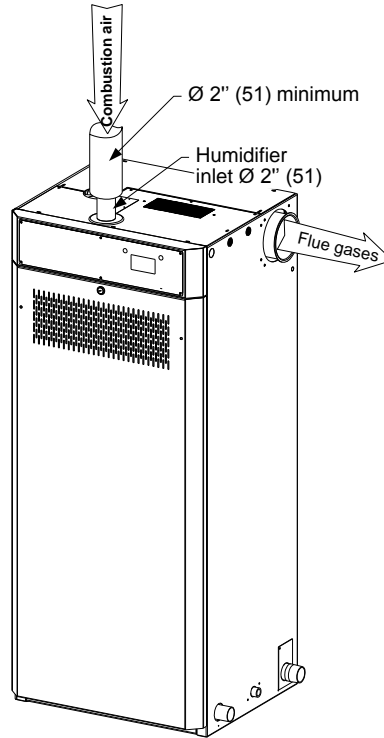
Ensure that the combustion air duct connections are tight.

Minimum combustion air duct upward gradient must be  $\frac{3}{4}$ " (20mm) in 40" (1m) horizontal run.

Model	Combustion air inlet diameter per module
<b>SKG3-110-1 to 810-4</b>	Ø 2" (51mm) O.D.

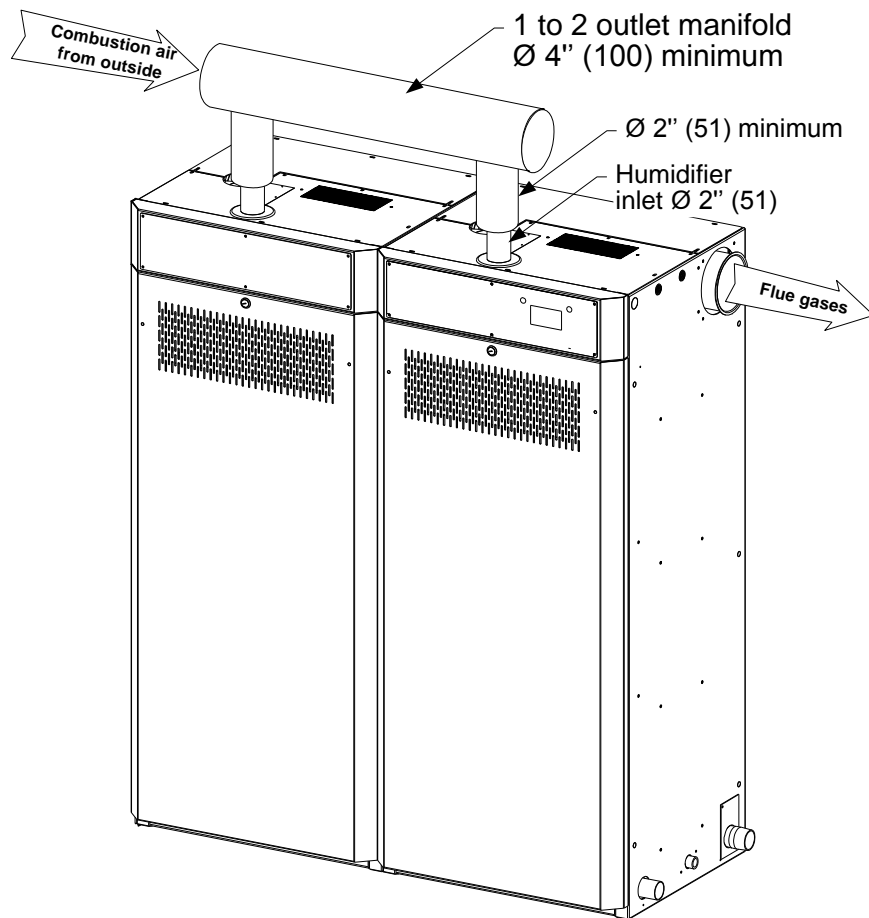
## Stage 6 – Combustion Air Installation

**Ducted  
Combustion Air  
Single Humidifier  
SKG3-110 to 210**



Ducted combustion air 1 module - Fig. 36  
(dimensions in bracket are in mm)

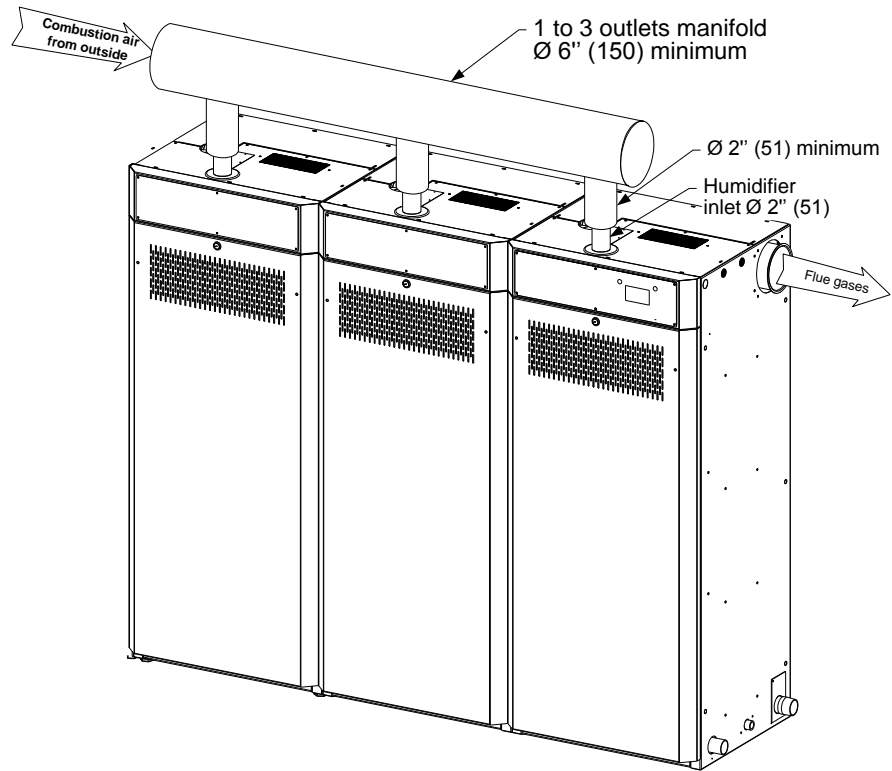
**2 Modules  
Humidifier  
SKG3-265 to 405**



Ducted combustion air - Fig. 37  
(dimensions in bracket are in mm)

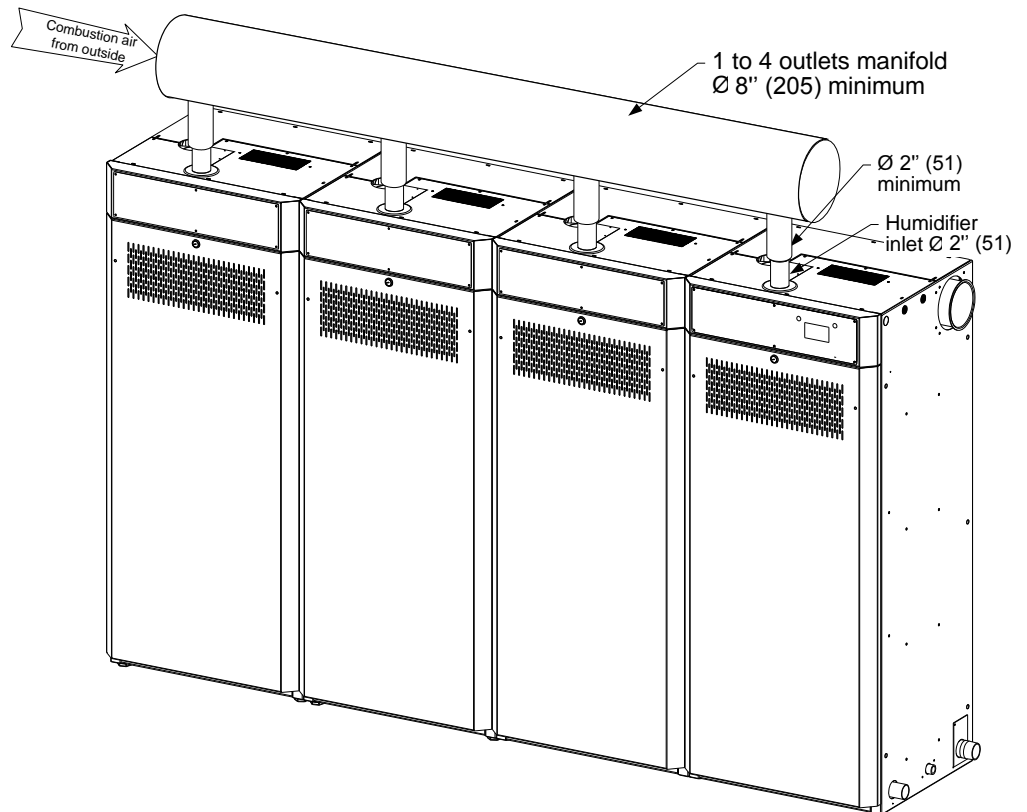
## Stage 6 – Combustion Air Installation

**3 Modules  
Humidifier  
SKG3-505 to 610**



*Ducted combustion air - Fig. 38  
(dimensions in bracket are in mm)*

**4 Modules  
Humidifier  
SKG3-710 to 810**



*Ducted combustion air - Fig. 39  
(dimensions in bracket are in mm)*

## Stage 7 – Flue Gas Venting Connection



**CAUTION:** For safe and efficient operation of the SKG3 Steam Humidifier, flue gases (product of combustion) MUST be evacuated through a dedicated flue gas venting system to the outside air.

**CAUTION:** Flue gas venting must conform to local codes and regulations, and to current ANSI Z223.1, “National Fuel Gas Code” or CAN/CSA-B149.

**CAUTION:** Install flue gas venting system in accordance with vent manufacturer’s instructions.

The SKG3 Steam Humidifier MUST be installed with a listed “BH vent” with a single or double wall system for positive pressure and condensation. The vent must be fabricated of AL29-4C stainless steel and be air and water tight.

Do not vent the SKG3 Steam Humidifier into another venting system serving another appliance. The humidifier must be vented by its own approved/listed flue system.

Any flue gas venting pipe passing through floors, ceilings, and walls MUST be installed with proper clearances to combustible material, and MUST be fire stopped according to local codes and regulations.

Use only roof and wall penetration systems recommended by the flue gas venting system manufacturer.

Flue gas venting pipe MUST be free of any restrictions or obstructions. The flue gas venting pipe diameter MUST be the same as the SKG3 flue gas connector.

Do not use unlined masonry or concrete chimney as a flue gas venting system.

Flue gas venting system must not extend into, or pass through, any air duct.

Installation of the flue gas venting pipe must be as direct as possible, minimizing the number of turns or elbows, with a maximum of 6 elbows in total.

If flue gas venting pipe length exceeds 20 ft (6.1m), it is recommended to install an approved insulated flue gas venting pipe, in order to reduce the formation of condensate.

### Approved “BH vent” systems

Cheminee Lining HEP, HEPL or HEPL2 rigid venting system,

Flexmaster Z-Vent Model SVE Series III rigid venting system,

DuraVent FasNSeal (single-wall) or FasNSeal W2 (double-wall) venting system,

MagnaFlex PV Model insulated flexible venting system,

Selkirk/HeatFab Saf-T Vent Model single-wall or double-wall venting system.

### Flue Gas Venting Specification

The Neptronic® SKG3 Steam Humidifier is a fan assisted condensing positive pressure flue gas appliance.

Maximum flue gas temperature: Ambient 390°F (+ 217°C).

Maximum flue gas venting pipe length:

100ft (30m) – 10ft (3m) x (total # of 90° elbow) – 5ft (1.5m) x (total # of 45° elbow).

<b>SKG3-110 to 210</b>	Ø3”O.D. (Ø 76mm)
<b>SKG3-265 to 405</b>	Ø4”O.D. (Ø 100mm)
<b>SKG3-505 to 810</b>	Ø5”O.D. (Ø 125mm)

Flue gas venting pipe diameter MUST be the same as the SKG3 flue gas connector.

Minimum flue gas venting pipe upward gradient must be ¼” (20mm) in 40” (1m) horizontal run or as per flue gas venting manufacturer’s instructions.

The Neptronic® SKG3 Steam Humidifier is a condensing appliance. As such, its high efficiency may cause condensation in the flue gas venting. Condensate drip tee must be installed, as per flue gas venting manufacturer’s instructions.

### Flue Gas Terminal



**Proper flue gas terminal** must be installed to prevent back flow or any other outside weather condition that may affect proper operation of the SKG3 Humidifier.

Distances from the flue gas venting terminal to adjacent public walkways, buildings, and any open able windows or building openings MUST conform to local codes and regulations.

Flue gas terminal MUST be at a sufficient height above the ground level to prevent blocking by accumulated debris.

Building materials MUST be protected from degradation by flue gases.

Vertical flue gas terminal MUST extend at least 40” (1m) above the roof top, and 24” (0.6m) above any ridge located within 10 feet (3m) from the terminal.

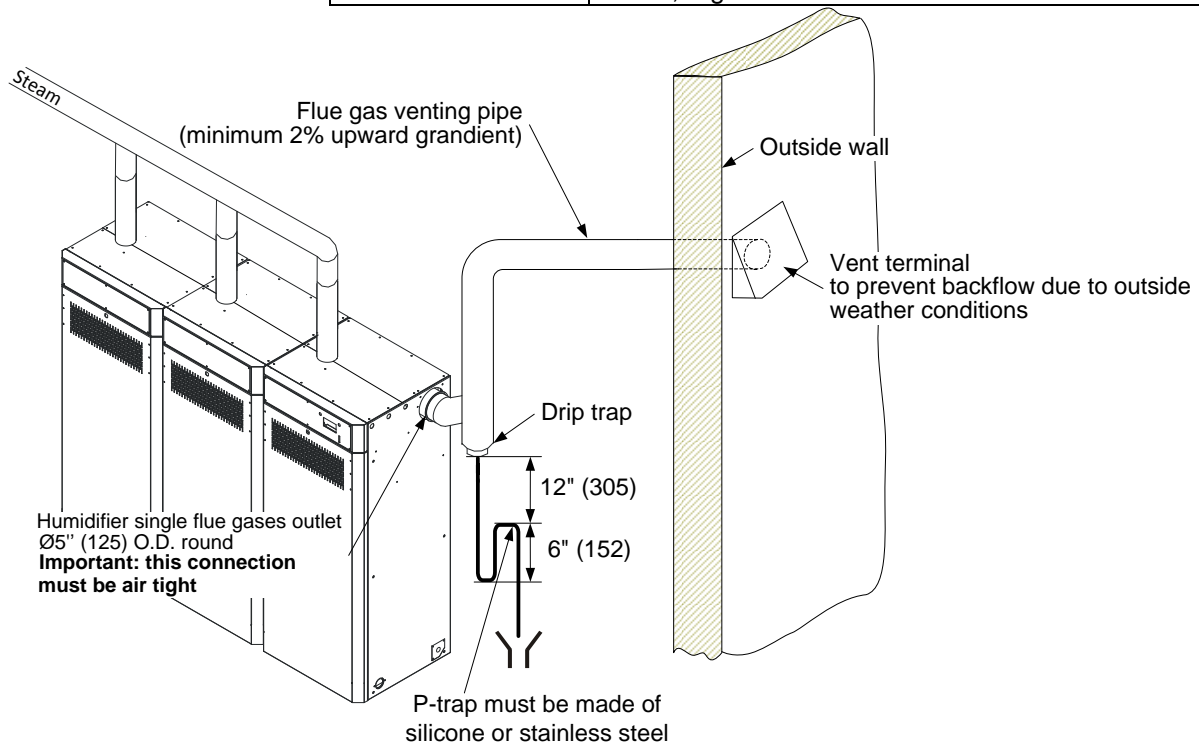
## Stage 7 – Flue Gas Venting Connection

**Minimum Spacing** *When flue gas terminal is located in outside air:*

<b>Minimum spacing (in) [mm]</b>	<b>Building or other element</b>
12 [300]	Below adjacent opening (window, air vent or any other ventilation opening)
3 [75]	Below a gutter, drain or soil pipe
8 [200]	Below eaves catch or, balcony
3 [75]	Beside vertical drain or soil pipe
12 [300]	Beside adjacent corner or other flue gas terminal
6 [150]	Beside adjacent opening (door, window, air vent or any other ventilation opening)
12 [300]	Above adjacent ground or balcony level
84 [2100]	Above ground level, in areas accessible to public
60 [1500]	Above or below other flue gas terminal
24 [600]	From a surface facing the terminal
48 [1200]	From a facing other flue gas terminal.
50 [1250]	Above, below, beside or facing any electric or gas meter, regulator or relief device.

*When flue gas terminal is located in car port in residential building:*

<b>Minimum spacing (in) [mm]</b>	<b>Building or other element</b>
8 [200]	Below car port ceiling
3 [75]	Beside vertical drain or soil pipe
12 [300]	Beside adjacent corner or other flue gas terminal
48 [1200]	Beside adjacent opening (door or window)
12 [300]	Above adjacent ground or balcony level
84 [2100]	Above ground level, in areas accessible to public
60 [1500]	Above or below other flue gas terminal
24 [600]	From a surface facing the terminal
48 [1200]	From a facing other flue gas terminal.
50 [1250]	Above, below, beside or facing any electric or gas meter, regulator or relief device.



Typical flue gas installation, 3 modules - Fig. 40  
 (dimensions in bracket are in mm)

## Stage 8 – Electrical Supply and Installation

### Electrical Power Supply

The SKG3 Steam Humidifier requires a 120, 208 or 240V single phase supply.

Model	Voltage (V)	Standard Current (A)	Weather proof enclosure option (A)
<b>SKG3</b> 110, 155, 180, 210	120 – 1ph	6.0	7.2
	208 – 1ph	3.5	4.2
	240 – 1ph	3.0	3.6
<b>SKG3</b> 265, 310, 350, 405	120 – 1ph	9.0	11.4
	208 – 1ph	5.2	6.6
	240 – 1ph	4.5	5.8
<b>SKG3</b> 505, 560, 610	120 – 1ph	12.0	15.6
	208 – 1ph	7.0	9.0
	240 – 1ph	6.0	7.8
<b>SKG3</b> 710, 765, 810	120 – 1ph	15.0	19.0
	208 – 1ph	8.7	11.0
	240 – 1ph	7.5	9.5



All incoming power supplies **MUST** be externally fused for over current protection. The electrical supply must also be isolated for the purpose of emergency and servicing. A disconnect switch must typically be installed within one meter of the humidifier. The isolator must have a contact separation of at least 1/8" (3mm).

### Electrical connection

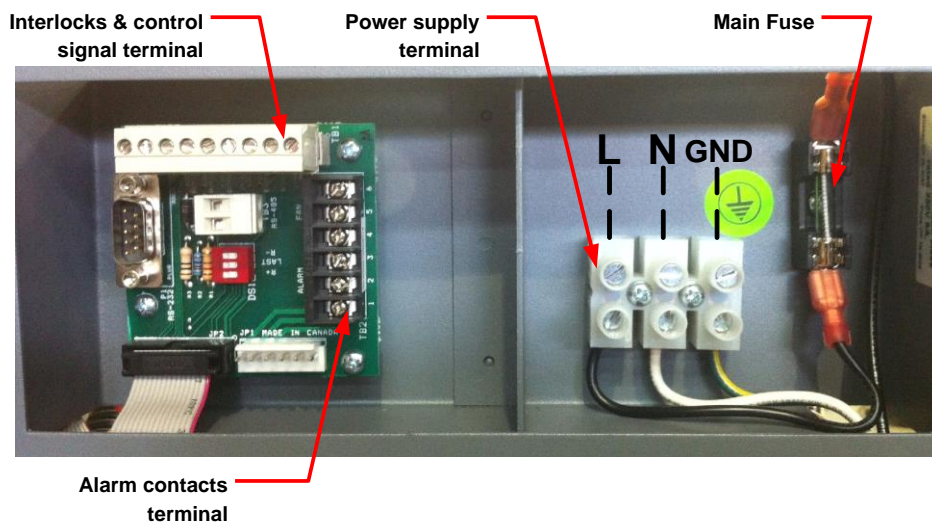
All work related to electrical installation **MUST** only be performed by skilled and qualified technical personnel (e.g. electrician or technicians with appropriate training).

Please observe local codes and regulations concerning the provision of electrical installations.

**WARNING.** Risk of electric Shock. Ensure that the electrical supply is isolated before beginning any installation.

The installation engineer must ensure the following:

- Use of copper power conductor only.
- Size of the power conductors are suitable for the maximum current supplied.
- Incoming power cable is secured via suitably sized cable gland.
- Each terminal connection is secured firmly with a cable ferrule.
- Humidifier cabinet has an uninterrupted or unbroken electrical ground. Do not use gas piping as an electrical ground.



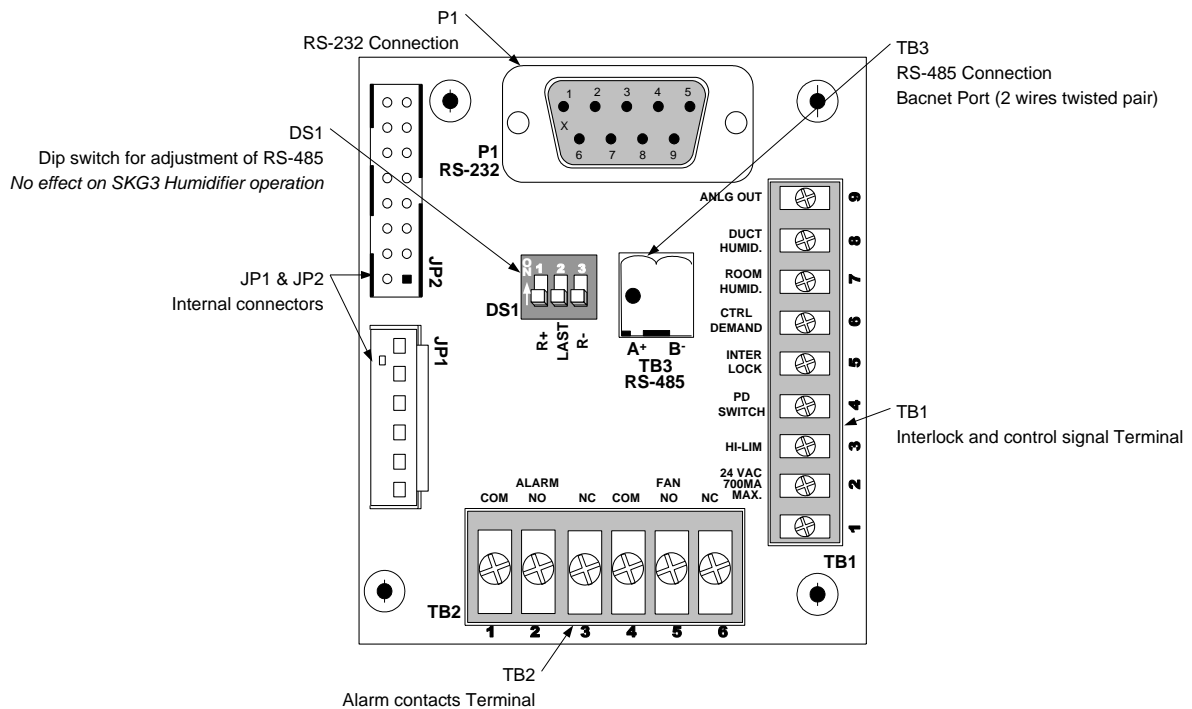
Electrical connection - Fig. 41



## Stage 9 – Electrical Control Connections

### Electrical Control Connections

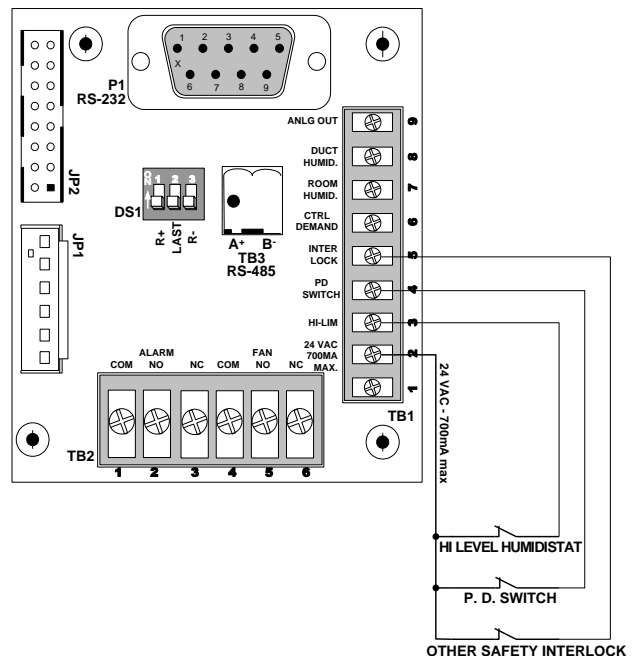
The Neptronic® SKG3 Steam Humidifier has a modulating control system and requires an analog control signal. All controls connections have been grouped on a specific Interface P.C.B.



Electrical Control connection interface - Fig. 42

### Humidifier Interlocks

The Neptronic® SKG3 Steam Humidifier has three interlock entries:



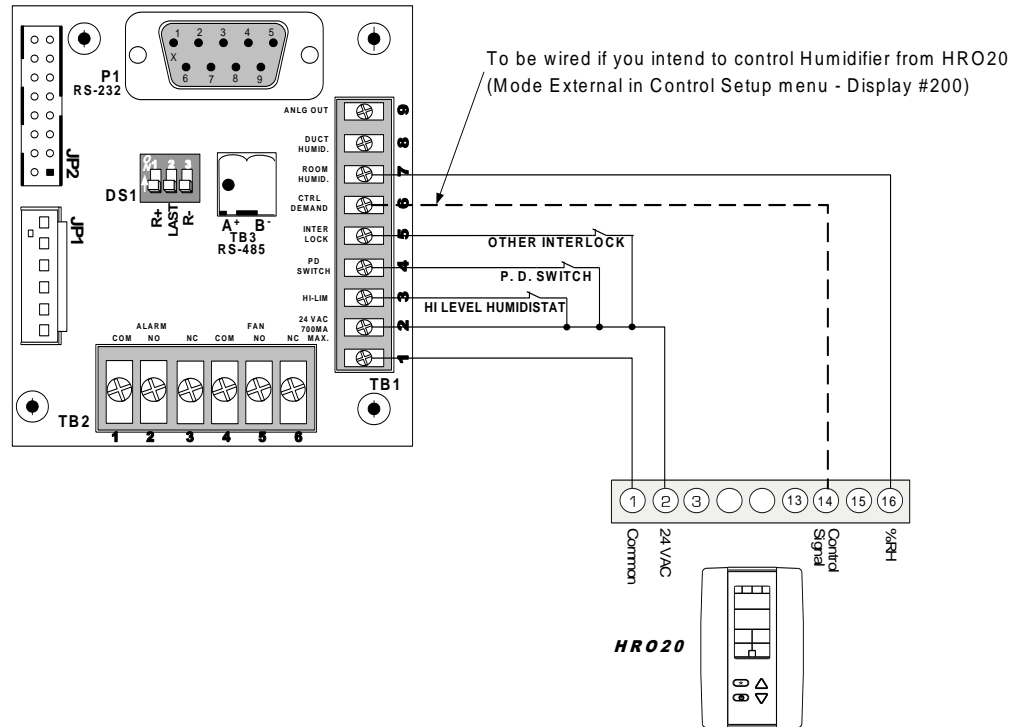
Interlocks connections - Fig. 43

- **High level humidistat** contact must be wired between terminals TB1 2 & 3. If this contact is open, operation of the humidifier will stop and an **Alarm** message will be displayed.
- **P.D. Switch** contact must be wired between terminals TB1 2 & 4. If this contact is open, operation of humidifier will stop. **No Alarm** message will be displayed.
- **A third interlock** switch can be wired between terminals TB1 2 & 5. If this contact is open, operation of humidifier will stop and an **Alarm** message will be displayed.

## Stage 9 – Electrical Control Connections

### Humidifier Control with Humidity Controller

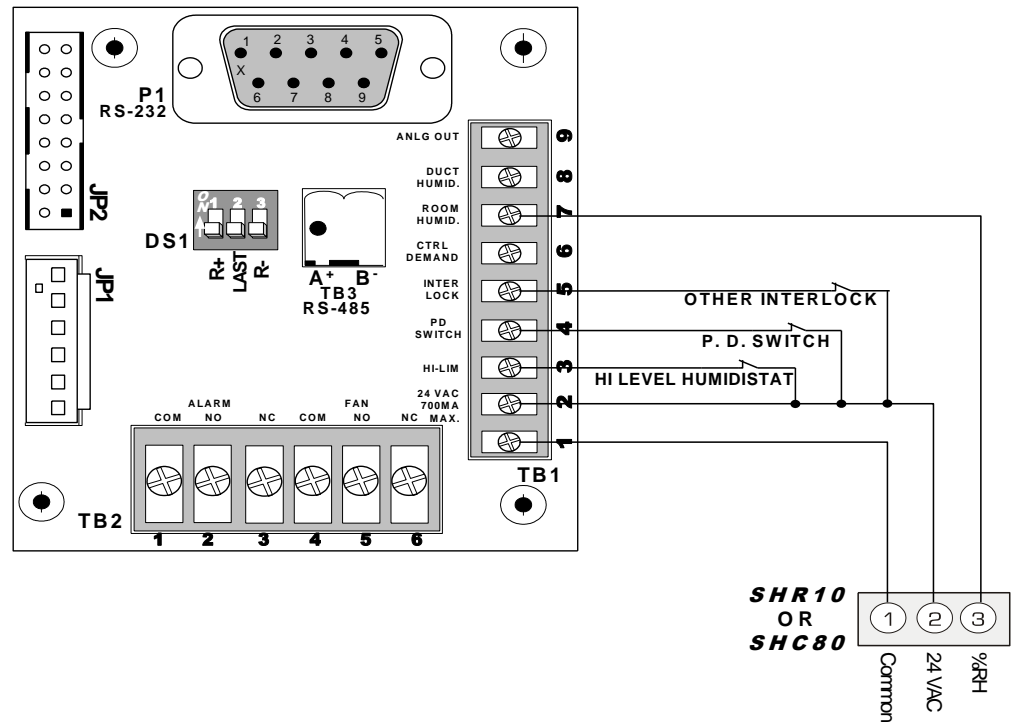
The Neptronic® SKG3 modulating Steam Humidifier can be installed in conjunction with the Neptronic® **HRO20** humidity controller.



Control signal from HRO20 humidity controller - Fig. 44

### Humidifier Control with Humidity Sensors

The Neptronic® SKG3 Steam Humidifier can be installed in conjunction with the Neptronic® **SHR10** or **SHC80** humidity sensors.

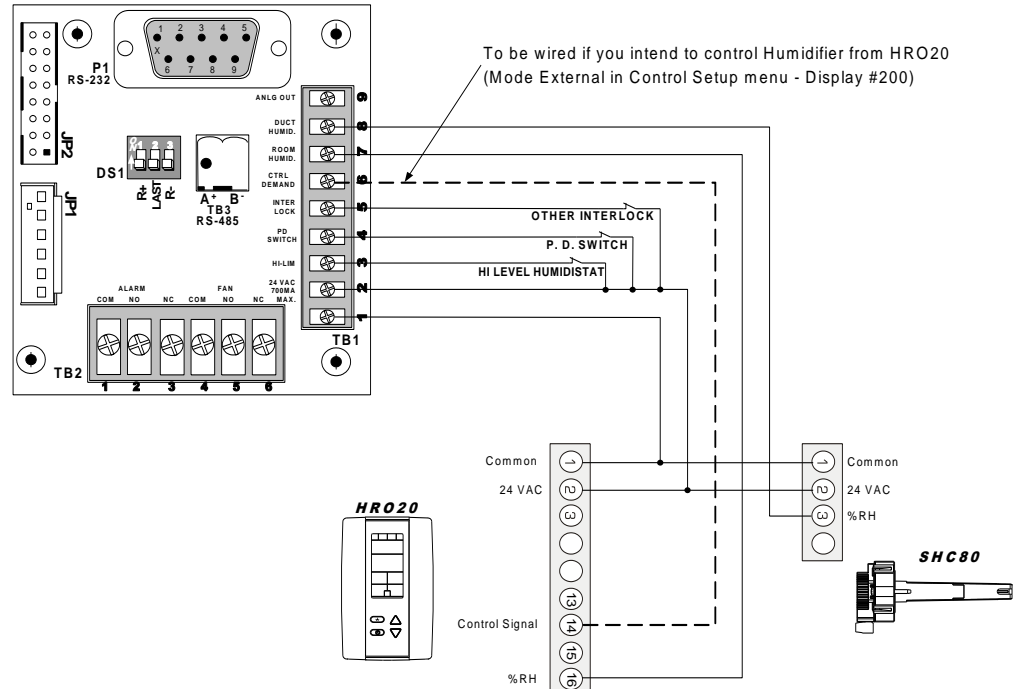


Humidity signal from humidity sensors - Fig. 45

## Stage 9 – Electrical Control Connections

### VAV System

The Neptronic® SKG3 modulating Steam Humidifier can be installed in conjunction with a VAV system, in this case the Neptronic® **SHC80** duct humidity sensor placed in the supply air will act as a high level duct humidity sensor. Humidity will be controlled by the Neptronic® **HRO20** room humidity controller.



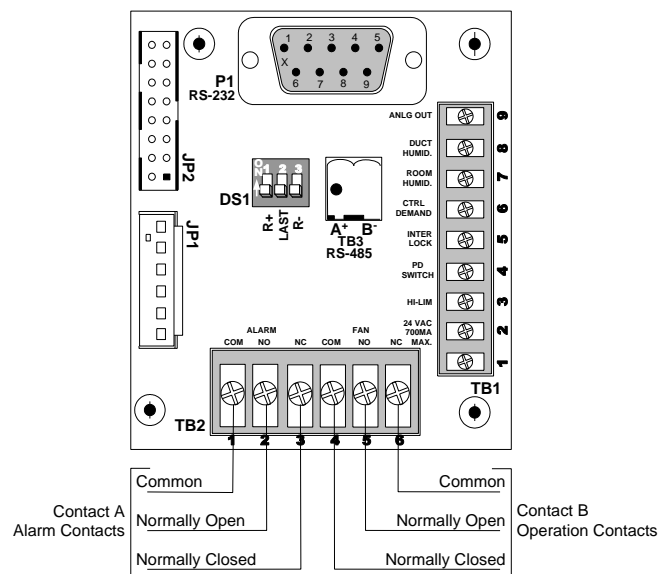
VAV configuration typical wiring - Fig. 46

### Dry Contacts

Two series of volt free contacts are provided :

- Alarm contacts:  
One normally connected to common and one normally open contact.
- Operation (fan) contacts:  
One normally connected to common and one normally open contact.

These contacts are used to switch a low voltage control, up to 24Vac or Vdc, with a switching current of no more than 3 A.



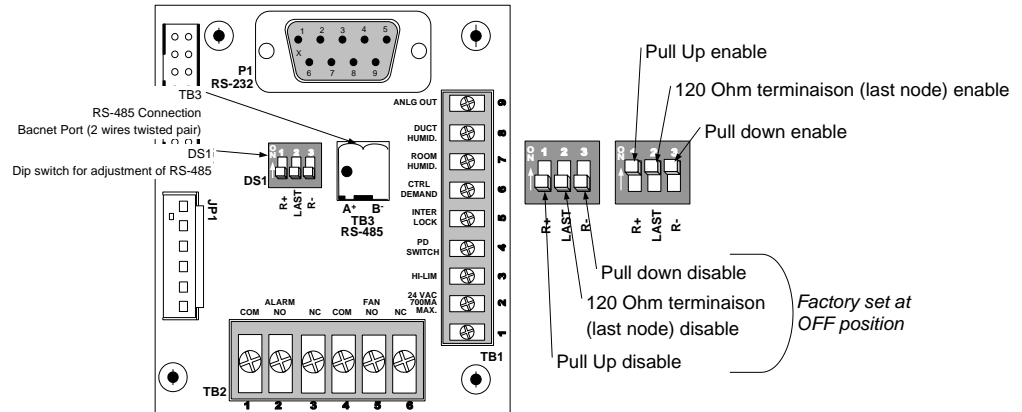
Operation & Alarm contact wiring - Fig. 47

## Stage 9 – BACnet® Interface Set-up

**Important Note**

This page describes the BACnet® interface set-up.  
“BACnet® interface” option is available only upon request.

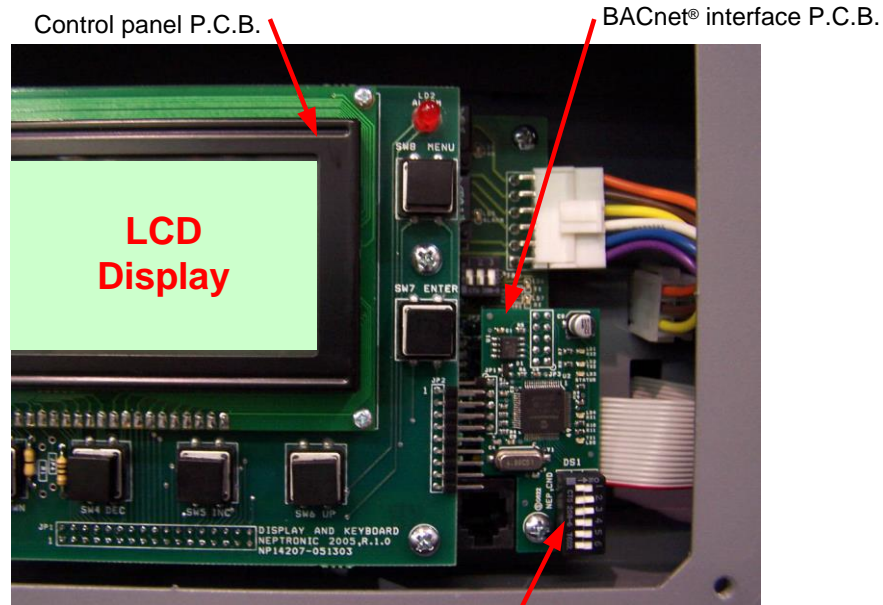
**Dip Switch Adjustment for RS-485 BACnet® Port**



BACnet interface - Fig. 48

**Mode & Baud Rate Setting**

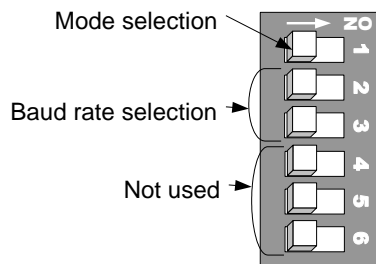
Mode & baud rate dip switch setting is located next to the Control panel P.C.B. To access it, remove the front panel plate.



BACnet® interface Dipswitch

Location of BACnet interface dip switch - Fig. 49

**BACnet® interface Dip switch setting:**



(Fig 50)

Switch #1 : Mode selection		
OFF = Mode Operational (factory setting)		
ON = Mode Configuration (linked with Com Port menus #601 & 602)		
Switch #2 & 3 : Baud rate selection		
Baud rate	Switch #2	Switch #3
9600	OFF	OFF
19200	ON	OFF
38400	OFF	ON
76800 (factory setting)	ON	ON

See also the **BACnet® communication module user guide** supplied.

## Initial Verification



Initial verification and start-up (commissioning) must be carried out by suitable qualified personnel.

**Clearance**

1. Ensure that the humidifier cabinet is installed in a location where the humidifier can be serviced correctly.

**Electrical**

2. Check that the power supply (voltage) conforms to the appliance name plate on the humidifier side.
3. Confirm that 24Vac is present between tab 1&2 of the control terminal, located on the control connection PCB. Remove the front top cover to get to this PCB.

**Water**

4. Ensure that water is supplied to the humidifier. A shut-off valve must be outside the humidifier. Once the water shut-off valve is turned ON, ensure that there are no apparent leaks.
5. Confirm that drain piping is properly connected with a pitch of at least 1/4" (6.5mm) per foot (300mm) horizontal run.

**Steam**

6. Check that steam distributors are properly installed into the ventilation duct.
7. Verify that the flexible steam hoses and rigid steam supply pipes are shorter in total length than 15ft (5m), properly sloped and have condensation P traps wherever required.

**Gas**

8. Verify that a proper regulator and gas test point have been installed on the gas line to the humidifier.
9. Confirm that gas is supplied to the humidifier and that the shut-off valve located outside the humidifier is closed. Once the shut-off valve is turned ON, check for leaks, gas, smell or hissing sounds.

**Flue Gases Venting**

10. Verify the flue gases venting as follows:
- a) A tee is installed with a drain tee cap for the condensate.
  - b) Check that all connections are air tight.
  - c) The total length of the vent equivalent is not longer than 100ft (30m).
  - d) An approved venting system is used, such as one of the following:
- Chiminee Lining HEP, HEPL or HEPL2 rigid venting system, or
  - Flexmaster Z-Vent Model SVE Series III rigid venting system, or
  - DuraVent FasNSeal (single-wall) or FasNSeal W2 (double-wall) venting system, or
  - Magnaflex's PV model insulated flexible venting system, or
  - Selkirk/HeatFab Saf-T Vent Model single-wall or double-wall venting system, or
  - Other system, please specify (for reference) \_\_\_\_\_


**Note:** Aluminum B vent is not acceptable.

**Controls**

11. Ensure that a high limit duct humidistat is installed, properly connected to the humidifier and that the setpoint is properly adjusted.
12. Verify that a room or return air duct humidistat is installed, properly connected to the humidifier and that the setpoint is properly adjusted.
13. Turn the power ON at the disconnect switch.
14. Confirm the control set-up of the humidifier (display #200). The humidifier is factory set with EXTERNAL control set-up, which means that the humidity demand is controlled by the room or duct humidistat.
15. Ensure that the type of signal (0-10Vdc, 2-10Vdc or 4-20mA) of the humidistat corresponds to the type set in the humidifier control set-up menu (display # 201).

## Start-Up

**Start-up**

1. Proceed to start-up the humidifier as follows:
- a) Open the front access door of the humidifier cabinet; ensure that the manual drain valve is closed.
- b) Start up the humidifier by pushing the  (ON/OFF) button located on the humidifier control panel.
- c) After 5 seconds, water will start to flow in. Verify that the water level slowly rises in the water level sight glass located on the side of the evaporation chamber.
- d) Verify that there is a humidity demand. Humidity demand is displayed on the humidifier LCD screen.
- e) The Humidifier LCD screen will display the water level in percentage (%). When the display indicates that the water level is at 100%, verify that the water level in the water level sight glass is approximately 3/4" (20mm) below the safety belt band of the evaporation chamber.
- f) If there is a humidity demand, the burner combustion blower(s) will start and after approximately 90 seconds, the combustion will start. From a cold water start, the humidifier will require 5 to 10 minutes to produce steam. The Humidifier LCD display will indicate water temperature and flue gases temperature.
- g) During normal operation, while steam is produced, the water temperature must be 212°F (100°C) and the flue gases temperature around 248 to 392°F (120 to 200°C). Water level percentage must not indicate less than 95%.
- h) Observe for water, steam and flue gas leaks.



**Combustion Field Adjustment**

2. Please refer to the *Combustion field adjustment instructions* enclosed in this package to perform this operation

**Safety Test**

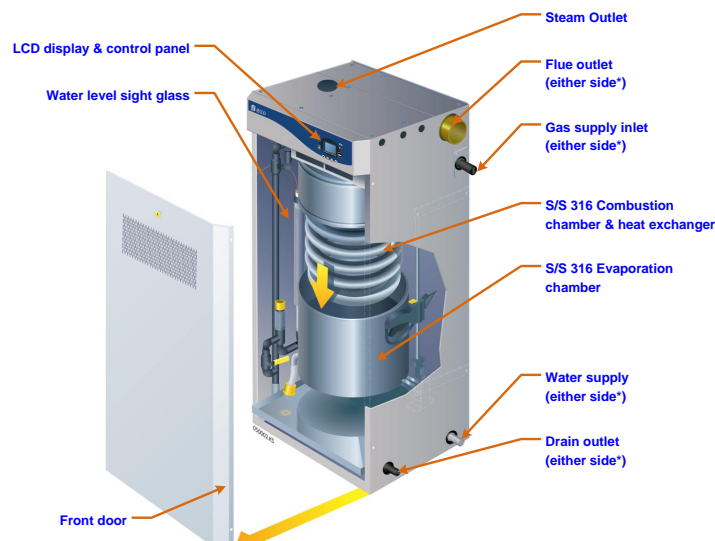
3. Check the location of the air flow switch in the system and its operation by stopping the fan. With no air movement in the air duct, the humidifier must automatically stop the combustion burner(s).

**Drain and Reset**

4. Turn the humidifier OFF, by pushing  (ON/OFF) push button on the control panel.
5. Execute a manual drain, by pushing the  (DRAIN) push button on the control panel. A water jet directed on the water level sensor located in the water level sight glass will start and create bubbles around it.
6. Reset the air flow switch and humidistat(s) to the proper value, if needed.

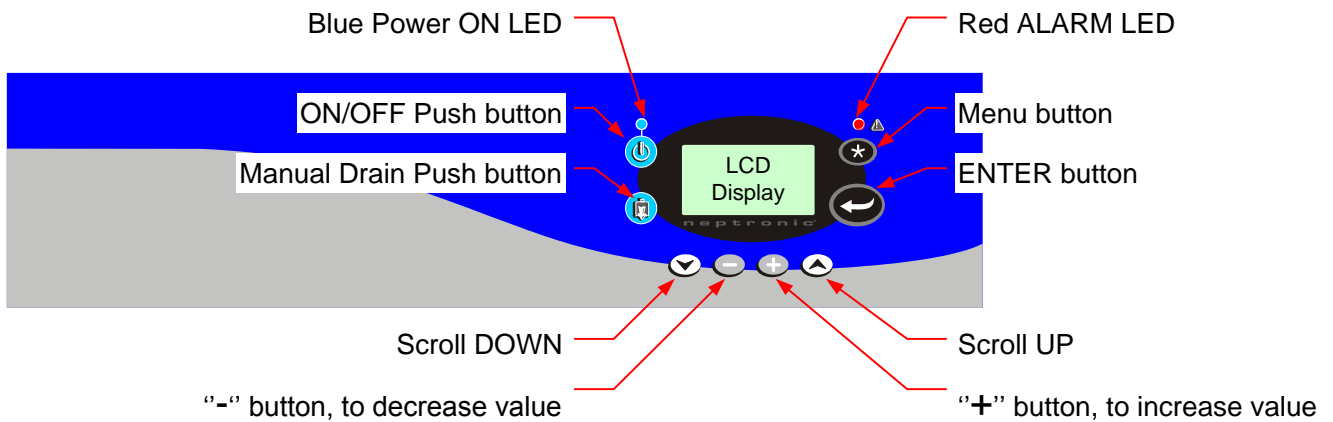
**End**

7. The humidifier is now ready for normal operation.




## Commissioning – Operation Description




**Control Panel Description** The control panel of the Neptronic® SKG3 Steam humidifier is equipped with a user friendly LCD display and extensive access to status, alarms, and set-up menus.






Control panel - Fig. 51



**Access to Menu** To access the menu, press on the  button. The LCD will display the following list of menus:


1. Status
2. Control Set-up
3. System Set-up
4. Alarms
5. Diagnostics
6. Com Set-up

Use the  or  buttons to scroll up or down, and access a menu by pressing the  button.

Within a menu, press on the  or  buttons to pass from one screen to another.

The initial menu may be returned to at any time by pressing the  button.

**Changing Values** Within the selected screen, press the  or  buttons until you have reached the desired value.

Validate your selection by pressing on the  button.

## Operation Display

**Operation Scrolling  
Messages on  
Display**

During normal operation, the following display indicates the main information about the system:

DEMAND: 100%  
OUTPUT: 100%  
ROOM HUMIDITY  
30%RH

<b>Scrolled Message</b>	<b>Description</b>
<b>ROOM SETPOINT</b>	Current room setpoint in % RH.
<b>ROOM HUMIDITY</b>	Current room humidity reading in % RH.
<b>HI-LIMIT SETPOINT</b>	Current high limit duct setpoint in % RH.
<b>WATER LEVEL</b>	Current water level reading in the evaporation chamber for each module in %.
<b>WATER TEMPERATURE</b>	Current water temperature reading in the evaporation chamber for each module in °C.
<b>AIR FLOW IS OPEN</b>	No air flow is detected in the duct. Humidifier is stopped.
<b>DRAIN CYCLE</b>	Drain cycle in process.
<b>END OF SEASON DELAY IS OVER</b>	72 hours without humidity demand. Evaporation chamber(s) of the humidifier has been flushed of the remaining water in order to prevent growth of bacteria. Upon new humidity demand, evaporation chamber(s) will fill up with fresh water and produce steam.
<b>!!! INPUT SUPPLY TOO LOW</b>	Voltage supply is below the minimum value. Humidifier is stopped.
<b>!!! HI-LIMIT CUT OUT</b>	High limit RH% is above Hi limit set point. Humidifier is stopped.
<b>!!! INTERLOCK OPEN</b>	Interlock safety is open. Humidifier is stopped.
<b>!!! CLEANING REQUIRED CALL SERVICE PEOPLE</b>	Number of hours to service will be reached within 50 hours. Humidifier continues to operate but will stop for service soon.
<b>!!! SERVICE UNIT NOW</b>	Number of hours to service has been reached. Humidifier is stopped. It is time to service the humidifier.
<b>!!! CRITICAL ALARM PRESENT SEE MENU</b>	Abnormal critical situation has been detected. Humidifier is stopped. Go to Alarm menu for details.
<b>!!! NON-CRITICAL ALARM PRESENT SEE MENU</b>	Abnormal non-critical situation has been detected. Humidifier may continue to operate. Go to Alarm menu for details.



## Status Menu

<i>Display</i>	<i>Description</i>
STATUS 101 Room Rel. Humidity 64%RH	<b>Room Relative Humidity:</b> Displays the room relative humidity if a room humidistat is connected to the humidifier.
STATUS 104 System Demand 64,3%	<b>System Demand:</b> Displays the humidity demand from the system. 100% represent a full demand.
STATUS 105 System Output H1: 45,5% H2: 43,0% H3: 42,5% H4: 41,0%	<b>System Output:</b> Displays the output for each module. Value is indicated in %. (50% of a 500 lb/h module would represent 250 lb of steam per hour output.)
STATUS 106 Hours before drain H1: 4H H2: 2H H3: 3H H4: 1H	<b>Hours before drain:</b> Displays the remaining time before the next automatic flush for each module. The automatic flush of the evaporation chamber is fully programmable. Please refer to display # 301 for more details. <i>Note: If Drain has been disabled by an authorized service engineer, this display will be disabled as well.</i>
STATUS 107 Running Hours H1: 2H H2: 2H H3: 3H H4: 1H	<b>Running Hours:</b> Displays the number of hours of operation since the last servicing for each module. Value is indicated in hours. This counter can be reset after each servicing.
STATUS 108 Total Running Hours H1: 40H H2: 25H H3: 22H H4: 20H	<b>Total Running Hours:</b> Displays the total number of hours of operation for each module since the original start-up. This counter cannot be reset.
STATUS 109 Water level H1: 98% H2: 99% H3: 101% H4: 98%	<b>Water level:</b> Displays the reading of water level electronic probe for each module. Value is indicated in %. 100% indicate that the evaporation chamber is full of water. During normal operation, the value can fluctuate between 95% and 105%.
STATUS 110 Water Temperature H1: 32°C H2: 35°C H3: 31°C H4: 29°C	<b>Water Temperature:</b> Displays the water temperature inside the evaporation chamber for each module. Value is indicated in °C. During normal operation, it must be around 212°F (100°C).
STATUS 111 Chimney Temperature H1: 41°C H2: 45°C H3: 60°C H4: 51°C	<b>Chimney Temperature:</b> Displays the flue gases temperature for each module. Value is indicated in °C. During normal operation, it must be lower than 410°F (210°C).
STATUS 112 Unit Size H1: 110 lb/Hr H2: 105 lb/Hr H3: 103 lb/Hr H4: 110 lb/Hr	<b>Unit Size:</b> Displays the total capacity of each module. Value is indicated in lb/hr.

*Note: Displays shown in these instructions represent a display for a 4 module SKG3 Steam humidifier. If your SKG3 Steam humidifier is equipped with 1, 2 or 3 modules, only H1, H1 and H2, or H1, H2 and H3 will appear on the LCD display.*

## Control Set-up Menu

<i>Display</i>	<i>Description</i>	<i>Values</i>
CONTROL SETUP 200 Control Mode INTERNAL	<b>Control Mode:</b> Selection of control mode.  <i>If External is selected, the control demand will be received by the analog input. If Com Port is selected, the control demand will be received by the communication port (BACnet option).</i>	External Internal Com Port
CONTROL SETUP 201 Control Input Setup Volt/Amp: Voltage Vin Min.: 2.00V Vin Max.: 10.00V	<b>Control Input Setup:</b> Selection of input control settings.  <i>Allows you to select the voltage or current signal and the range of the signal.</i>	Voltage or Amp. From 0 to 10 V or 2 to 10 V Or 4 to 20 mA
CONTROL SETUP 202 Room SP Source INTERNAL	<b>Room SP Source:</b> Selection of source for room humidity setpoint.	External Internal Com Port
CONTROL SETUP 203 Room Set Point 40 %	<b>Room Set Point:</b> Selection of room relative humidity value.	Percentage From 10 to 90 %
CONTROL SETUP 204 Room Humidity SetPoint Volt/mA: Voltage Vin Min.: 2.00V Vin Max.: 10.00V	<b>Room Humidity SetPoint:</b> Selection of room humidity setpoint settings.  <i>Allows you to select voltage or current signal and range of the signal.</i>	Voltage or Amp. From 0 to 10 V or 2 to 10 V Or 4 to 20 mA
CONTROL SETUP 205 Room RH Source EXTERNAL	<b>Room RH Source:</b> Selection of room relative humidity source.	External Com Port
CONTROL SETUP 206 Humidity Input Setup Volt/Amp: Voltage Vin Min.: 2.00V Vin Max.: 10.00V	<b>Humidity Input Setup:</b> Selection of humidity input.	Voltage or Amp. From 0 to 10 V or 2 to 10 V Or 4 to 20 mA
CONTROL SETUP 207 Humidity Input Offset 45.5%RH Off: 0.00%	<b>Humidity Input Offset:</b> Selection of room humidity input offset.	Offset in % From -5.0% to +5.0%
CONTROL SETUP 208 Hi Limit Ctrl Mode Disable	<b>Hi Limit Ctrl Mode:</b> Selection of high limit control mode.	Disable External Com Port
CONTROL SETUP 209 Hi Limit SP Adjust. 80%	<b>Hi Limit Set Point Adjustment:</b> Selection of high limit relative humidity value.	Percentage From 50 to 90 %

## Control Set-up Menu

<p>CONTROL SETUP 210 Hi Limit SetPoint Volt/mA: Voltage Vin Min.: 2.00V Vin Max.: 10.00V</p>	<p><b>Hi Limit SetPoint:</b> Selection of high Limit setpoint settings. <i>Allows you to select the voltage or current signal and the range of the signal.</i></p>	<p>Voltage or Amp. From 0 to 10 V or 2 to 10 V Or 4 to 20 mA</p>
<p>CONTROL SETUP 211 Hi Limit Offset 45.5%RH off: 0.00%</p>	<p><b>Hi Limit Offset:</b> Selection of duct relative humidity input offset.</p>	<p>Offset in % From -5.0% to +5.0%</p>
<p>CONTROL SETUP 212 PID Control Band 5.0 %</p>	<p><b>PID Control Band</b> Selection of PID control band value</p>	<p>Percentage From 1 to 20 %</p>
<p>CONTROL SETUP 213 PID Control Gain KP = 20 KI = 0 KD = 0</p>	<p><b>PID Control Gain</b> Selection of PID control gain values</p>	<p>KP from 0 to 100 KI from 0 to 100 KD from 0 to 100</p>
<p>CONTROL SETUP 214 Tank Operation SEQUENTIAL</p>	<p><b>Tank Operation:</b> Selection of tank operation, when SKG3 humidifier has more than one module.  For optimum humidity control, it is recommended to use sequential operation.</p>	<p>Sequential Parallel</p>
<p>CONTROL SETUP 215 Lock On Capacity 100 %</p>	<p><b>Lock On Capacity:</b> Selection of humidifier capacity reduction.</p>	<p>Percentage From 20 to 100 %</p>




## System Set-up Menu



<i>Display</i>	<i>Description</i>	<i>Values</i>
<div style="border: 1px solid black; padding: 5px;">           SYSTEM SETUP 300            Service Timer            1000 Hrs         </div>	<b>Service Timer:</b> Selection of delay between service alarms. Value is indicated in Hours.	From 400 to 3000 Hrs Increment: 100 Hrs Default:1000 Hrs
<div style="border: 1px solid black; padding: 5px;">           SYSTEM SETUP 301            Auto Drain Delay            4 Hrs         </div>	<b>Auto Drain Delay:</b> Selection of delay between automatic drain cycles. Value is indicated in Hours. <i>Note: If Auto-Drain has been disabled by an authorized service engineer, this display will indicate "Drain Disabled".</i>	From 1 to 24 Hrs Increment: 1 Hr Default:4 Hrs
<div style="border: 1px solid black; padding: 5px;">           SYSTEM SETUP 302            No Demand Delay            72 Hrs         </div>	<b>No Demand Delay:</b> Selection of delay when there is no demand. Value is indicated in Hours. <i>Note: If Auto-Drain has been disabled by an authorized service engineer, this display will indicate "EOS Disabled".</i>	From 1 to 250 Hrs Increment: 1 Hrs Default:72 Hrs
<div style="border: 1px solid black; padding: 5px;">           SYSTEM SETUP 303            Fan ON Delay            10 Min         </div>	<b>Fan ON Delay:</b> Selection of delay to keep fan ON when there is no humidity demand. If the fan is connected to the Operation volt free contact, refer to stage 9. Value is indicated in Minutes.	From 3 to 30 Min. Increment: 1 Min. Default:10 Min.
<div style="border: 1px solid black; padding: 5px;">           SYSTEM SETUP 304            Holding Temperature            OFF         </div>	<b>Holding Temperature:</b> Selection of evaporation chamber temperature between humidity demands. If enabled, combustion will be ordered to maintain a specific water temperature. Value is indicated in °C, when setting is enabled.	From 50 to 90°C or OFF Increment: 5°C Default: OFF
<div style="border: 1px solid black; padding: 5px;">           SYSTEM SETUP 305            Anti Freeze Temper.            OFF         </div>	<b>Anti Freeze Temperature:</b> Selection of evaporation chamber anti-freeze temperature. If enabled, combustion will be ordered to maintain water temperature between 7 and 12°C. <b>This feature must be enabled when using direct outside combustion air in a freezing environment.</b> <i>This screen is not available for humidifiers with the weather proof enclosure option.</i> Value is indicated in °C, when setting is enabled.	From 7 to 12°C or OFF Increment: 1°C Default: OFF
<div style="border: 1px solid black; padding: 5px;">           SYSTEM SETUP 306            Water Temp. Offset            H1: 0°C            H2: 0°C            H3: 1°C            H4: -1°C         </div>	<b>Water Temperature Offset:</b> Selection of evaporation chamber temperature offset for each module, in order to adjust reading of the water temperature probe to proper temperature. When producing water temperature, probe must indicate 100°C (212°F). Value is indicated in °C.	From -10 to 10°C Increment: 1°C Default: 0°C
<div style="border: 1px solid black; padding: 5px;">           SYSTEM SETUP 307            Water Level Offset            H1: 0%            H2: -1%            H3: 2%            H4: 0%         </div>	<b>Water Level Offset:</b> Selection of evaporation chamber water level offset for each module, in order to adjust reading of the water level probe to the proper level. Value is indicated in %.	From -10 to 10% Increment: 1% Default: 0%

## System Set-up Menu

<i>Display</i>	<i>Description</i>	<i>Values</i>
SYSTEM SETUP 308 Chimney Temp. Offset H1: 0°C H2: 1°C H3: -1°C H4: 0°C	<b>Chimney Temperature Offset:</b> Selection of chimney temperature offset for each module, in order to adjust reading of the chimney temperature probe to proper temperature. Value is indicated in °C.	From -10 to 10°C Increment: 1°C Default: 0°C
SYSTEM SETUP 309 Lcd Contrast 160	<b>LCD Contrast:</b> Selection of the LCD display contrast. Value is indicated in relative number.	From 140 to 180 Increment: 1 Default: 160
SYSTEM SETUP 310 Language Selection English	<b>Language Selection:</b> Selection of the language displayed by interactive menus.	English or Français Default: English
SYSTEM SETUP 311 Time/Date Set N/A	<b>Time/Date Setup:</b> Reset of the internal clock.	Not programmable in this firmware version Default: N/A
SYSTEM SETUP 312 Set Alarm Beep ON Sound ON	<b>Set Alarm Beep ON:</b> Select whether to enable the beep sound in case of an alarm.	ON or OFF Default: ON

## Alarms Menu

<i>Display</i>	<i>Description</i>
<pre> ALARMS          400 Operation Period H1: 1000Hr H2: 800Hr H3: 550Hr H4: 550Hr +/- to Reset Timer           </pre>	<p><b>Operation Period:</b></p> <p>Displays the <u>running hours countdown</u>, it displays the reverse number of hours of Display # 107.</p> <p><b>IMPORTANT:</b></p> <p>This countdown must be reset after servicing in order to remove the alarm for call of service.</p> <p>To reset the running hours <u>press first on the</u>  button to select which module you wish to reset, then press and hold the  &amp;  buttons simultaneously for 10 seconds.</p> <p>Value is indicated in Hours.</p>
<pre> ALARMS          401 Alarms for Unit 1 No Alarm           </pre>	<p><b>Alarms for Unit 1:</b></p> <p>Displays alarm(s) message(s) for module 1, whenever necessary.</p>
<pre> ALARMS          402 Alarms for Unit 2 No Alarm           </pre>	<p><b>Alarms for Unit 2:</b></p> <p>Displays alarm(s) message(s) for module 2, whenever necessary.</p>
<pre> ALARMS          403 Alarms for Unit 3 No Alarm           </pre>	<p><b>Alarms for Unit 3:</b></p> <p>Displays alarm(s) message(s) for module 3, whenever necessary.</p>
<pre> ALARMS          404 Alarms for Unit 4 No Alarm           </pre>	<p><b>Alarms for Unit 4:</b></p> <p>Displays alarm(s) message(s) for module 4, whenever necessary.</p>

Note: To manually reset alarm, press and hold the  &  buttons simultaneously for 3 seconds.



## List of Alarms



No alarm must be reset prior to identifying and rectifying the cause of fault.

Please refer to the troubleshooting guide for help on identifying and resolving potential problems.

When an alarm is indicated by the LCD display, the red LED Alarm will flash. Normal operation of the humidifier is altered.

To manually reset alarm, press and hold the  &  buttons simultaneously for 3 seconds.

<b>Message Displayed</b>	<b>Description</b>
<b>Power Fuse Open</b>	The power fuse located on the Slave PCB is open. Replacing this fuse will automatically reset this alarm.
<b>Input Volt. Too low</b>	Power supply voltage is too low for proper operation of the humidifier. Verify power supply voltage level and take necessary actions. Proper voltage level will automatically reset this alarm.
<b>No Water T. Sensor</b>	Humidifier is not receiving signal from the water temperature sensor. The alarm will have to be manually reset after communication is re-established.
<b>No Chimney T. Sensor</b>	Humidifier is not receiving signal from the flue gases venting temperature sensor. The alarm will have to be manually reset after communication is re-established.
<b>Water level error</b>	Humidifier is not receiving signal from the water level sensor. The alarm will have to be manually reset after communication is re-established.
<b>Foaming in the tank</b>	Humidifier is detecting foam in the tank and has performed a de-foaming cycle. This alarm will automatically reset when foaming conditions are eliminated.
<b>Water Temp. too low</b>	Water temperature is below the pre-set minimum value; humidifier will fire-up the burner to heat the water. This alarm will reset automatically when the water temperature reaches the proper value.
<b>Water Temp. too high</b>	Water temperature is above the pre-set maximum value; humidifier will shut-off and cool down until water temperature reaches a proper value. This alarm will reset automatically when the water temperature reaches the proper value.
<b>Chim. Temp. too low</b>	Flue gases temperature is above the pre-set maximum value; humidifier will shut-off and cool down until flue gases temperature reaches a proper value. This alarm will reset automatically when the flue gas temperature reaches the proper value.
<b>Tank cannot fill</b>	Filling the evaporation chamber is taking more time than the expected maximum time. Humidifier will not fire-up until proper water level is reached. This alarm will reset automatically once water reaches the proper level.
<b>Tank cannot refill</b>	The time period between two refills of the evaporation chamber is longer than expected. Investigation to determine the cause of this fault is necessary. This alarm will have to be reset manually.
<b>Tank cannot drain</b>	Water draining of the evaporation chamber is taking more time than predetermined. This alarm will reset automatically once water has been totally evacuated.
<b>Burner Fan Defect</b>	Burner fan is running too low or too fast than the required humidity output. This alarm will have to be reset manually.
<b>Burner Locked</b>	Gas burner did not light-up after 3 retries. Gas burner must be verified. This alarm will automatically reset once after 30 minutes. If the gas burner is still not light up, the alarm will then have to be reset manually. For more details, please refer to the <b>Service and Troubleshooting guide</b> .

For information on troubleshooting, refer to the **Service and Troubleshooting guide** supplied.

## Diagnostics Menu

<i>Display</i>	<i>Description</i>
DIAGNOSTICS 500 <b>Input Voltage</b> Input #1: 7.15V Input #2: 7.13V Input #3: 7.14V	<b>Input Voltage:</b> Displays the analog inputs: Input #1: Control setpoint input voltage Input #2: Room humidity input voltage Input #3: Duct humidity input voltage  Value indicated is in Volts. <i>If input signal is 4-20mA, the humidifier will convert it into voltage.</i>
DIAGNOSTICS 501 <b>Digital input</b> Input #1: ON Input #2: ON Input #3: ON	<b>Digital Input:</b> Displays the digital inputs: Input #1: High limit humidistat Input #2: Pressure differential switch (fan proof) Input #3: Interlock  Value indicated is On or Off.
DIAGNOSTICS 502 <b>Water Level Sensor</b> H1: 17598Hz H2: 17550Hz H3: 17585Hz H4: 17601Hz	<b>Water Level Sensor:</b> Displays water level reading from electronic water level sensor for each module.  Value is indicated in Hz.
DIAGNOSTICS 503 <b>Burner Fan Speed</b> H1: 0Hz H2: 0Hz H3: 0Hz H4: 0Hz	<b>Burner Fan Speed:</b> Displays burner fan speed reading from electronic burner fan speed sensor for each module.  Value is indicated in Hz.
DIAGNOSTICS 504 <b>Burner Gas Valve</b> H1: OFF H2: OFF H3: OFF H4: OFF	<b>Burner Gas Valve:</b> Displays the state of the burner gas valve.  Value indicated is On or Off.
DIAGNOSTICS 505 <b>Foaming Probe</b> H1: 128 H2: 132 H3: 140 H4: 135	<b>Foaming Probe:</b> Displays the conductivity value of the foaming probe. The lower the value, the more conductive the probe.  Value indicated is a relative number from the minimum of 128.
DIAGNOSTICS 506 <b>Firmware Revision</b> SKG3000 Rev. 1.8 Sept. 2007	<b>Firmware Revision:</b> Displays the revision level of the program.

*For information on troubleshooting, refer to the **Service and Troubleshooting guide** supplied.*

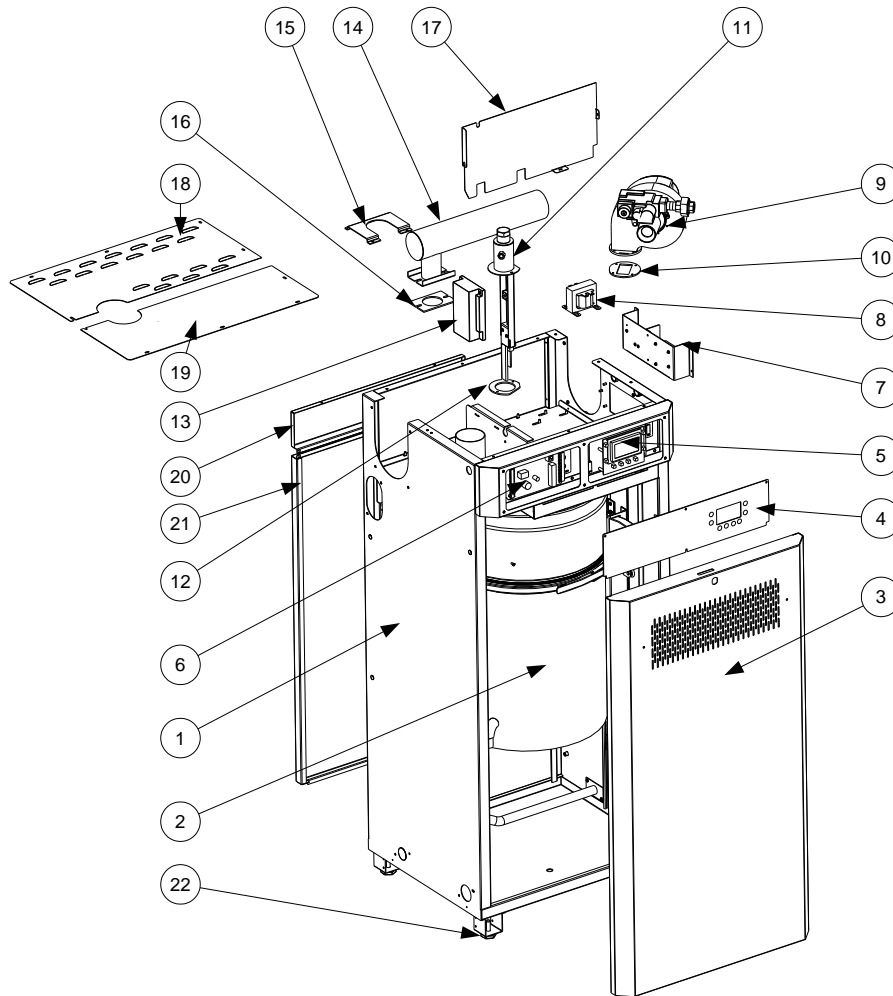


## Com Port Set-up Menu

<i>Display</i>	<i>Description</i>	<i>Values</i>
COM PORT SET UP 600 Com Port Speed N/A Baud	<b>Com Port Speed:</b> N/A Baud Not Applicable, communication speed unit is not a variable. The communication speed is expressed in Baud.	Default: N/A
<b>MS/TP MAC Address</b>		
COM PORT SET UP 601 MS/TP MAC Address 255 Value is locked !	Selection of MS/TP MAC address. This value is locked, in order to avoid incorrect set-up of the MAC Address. To unlock the setting, put the BACnet® interface dip switch No1 at the ON position (Configuration mode), see the "Stage 9 – BACnet® Interface Set-up" section of the manual.	From 0 to 255 Increment: 1 Default: 0
<b>Device Instance</b>		
COM PORT SET UP 602 Device Instance 01530000 Value is locked !	Selection of device instance value. This value is locked, in order to avoid incorrect set-up of the device instance. To unlock the setting, put the BACnet® interface dip switch No1 at the ON position (Configuration mode), see the "Stage 9 – BACnet® Interface Set-up" section of the manual.	From 0 to 4194303 Increment: 1 Default: 01530000

# Exploded Views & Parts List

## General

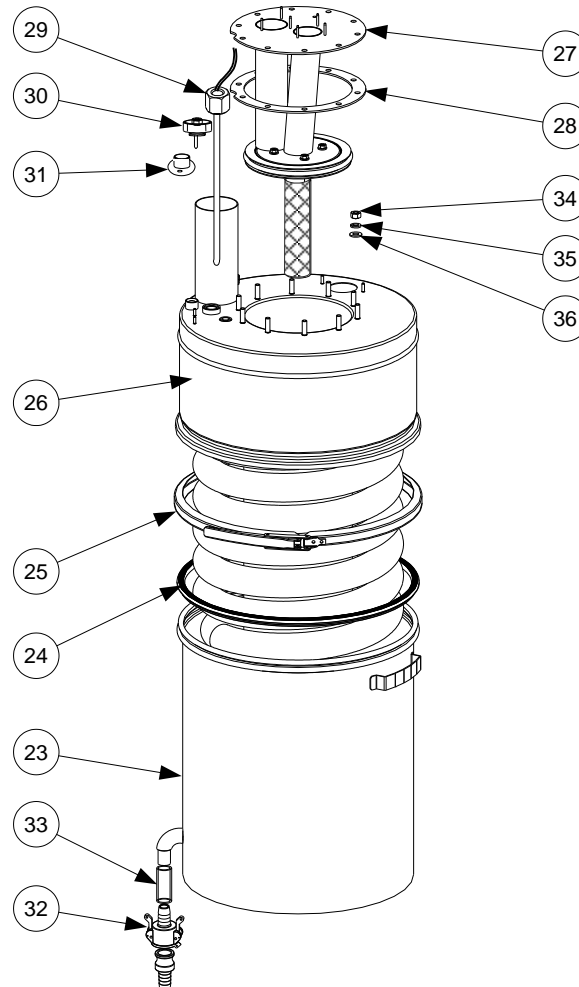


General exploded view - Fig. 52

Item	Description	Model	Part number
1	SKG Cabinet	All models	SW G1012
2	Evaporation chamber assembly		See detail
3	Front door assembly		See detail
4	Front Panel	Master (1 <sup>st</sup> ) module	SP G1002-21
		Slave module	SP G1002-24
5a	Master control PCB (with LCD display)	All models	NW SKGAZMAINSS
5b	BACnet communication PCB	All models	NW SKGAZBACNET-SS
6	Slave control PCB	All models	NW SKGAZSLAVESS
7	Interconnection panel	All models	SW GELECT-ASSY
8	Transformer	120/24Vac – 100VA	SP 3380
		208/24Vac – 100VA	SP 3308
		240/24Vac – 100VA	SP 3310
9	Combustion blower & gas valve assembly		See detail
10	Combustion blower gasket	All models	SP G2104
11	Igniter holder assembly		See detail
12	Igniter holder gasket	All models	SP G2103
13	Combustion controller	All models	SP G2001
14	Internal flue pipe	SKG3-110 to 210	SP G4211
		SKG3-265 to 405	SP G4222
		SKG3-505 to 810	See detail
15	Flue pipe holder	SKG3-110 to 405	SPG 1002-1
		SKG3-505 to 810	SWG WATFIT1-ASSY
16	Flue pipe gasket	All models	SP G2107
17	Heat shield panel	All models	SP G1012-18
18	Top back cover	All models	SP G1012-9
19	Top front cover	All models	SP G1012-8
20	Back gas pipe panel	All models	SP G1012-7
21	Back door	All models	SP G1012-6
22	Leg	All models	SP G3401

## Exploded Views & Parts List

### Item 2 – Evaporation chamber assembly detail

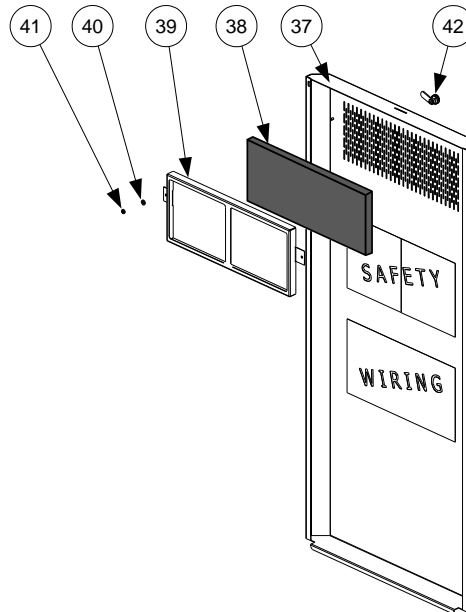


Evaporation chamber exploded view - Fig. 53

Item	Description	Model	Part number
23	Water tank	All models	SW G3208
24	Water tank gasket	All models	SW G2101
25	Band clamp	All models	SP G3150-M
26	Heat exchanger		See combustion component detail table
27	Burner assembly		See combustion component detail table
28	Burner assembly gasket	All models	SP G2111
29	Water temperature sensor	All models	SW GWATTEMP-ASSY
30	AFEC probe	All models	SW GAFECPROBE-ASSY
31	High temperature limit switch	All models	SP 3035
32	Quick release drain connector	All models	SP G3210
33	3/4in silicone hose	All models	SW G3210-ASSY
34	S/S 1/4-20 Nut	All models	SP G9212
35	Lock washer 1/4	All models	SP G9232
36	Flat washer 1/4	All models	SP G1008

## Exploded Views & Parts List

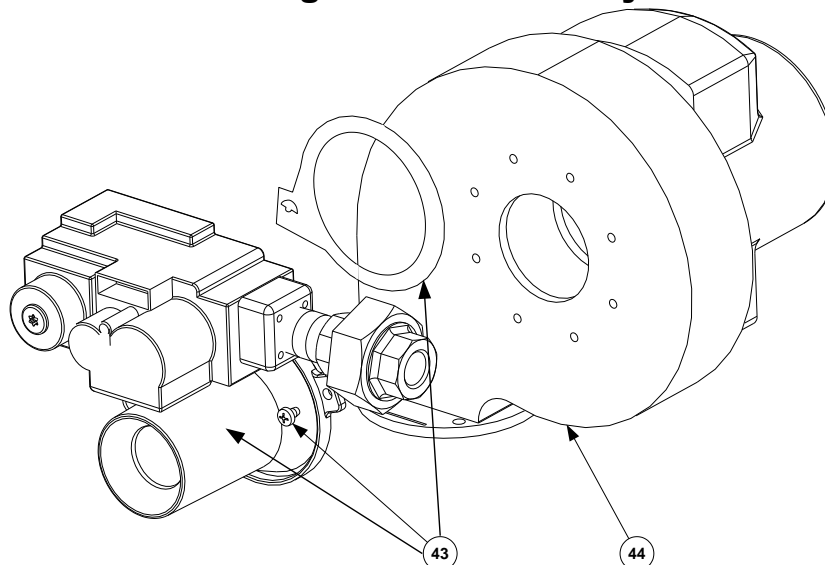
### Item 3 - Door assembly detail



Door assembly detail - Fig. 54

Item	Description	Model	Part number
37	Front door	All models	SP G1012-5
38	Air filter	All models	SP G4202
39	Air filter holder	All models	SP G1012-27
40	Spring washer	All models	SP 2112
41	Nut M5	All models	NP NEP188
42	Key lock	All models	SP 6854

### Item 9 – Combustion blower & gas valve assembly



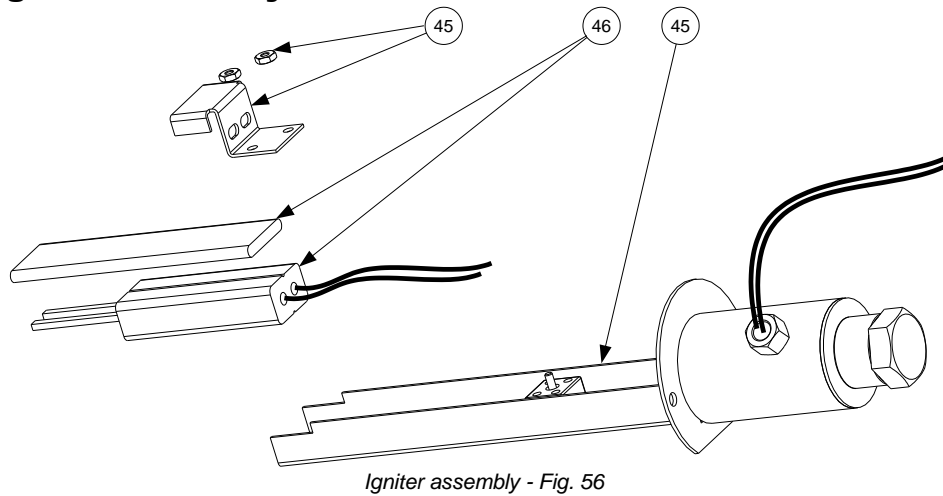
Combustion blower and gas valve assembly - Fig. 55

### Combustion component detail table

Item	Description	Part number by Module type				
		Module SKG 100	Module SKG 150	Module SKG 180	Module SKG 200	
26	Heat Exchanger	SW GTANKCOVER175	SW GTANKCOVER175	SW GTANKCOVER200	SW GTANKCOVER200	
27	Burner assembly	SW GBURN100-ASSY	SW GBURN150-ASSY	SW GBURN150-ASSY	SW GBURN200-ASSY	
43	Gas valve & Venturi assembly	SWG GASVENT53-ASSY	SWG GASVENT01-ASSY	SWG GASVENT01-ASSY	SWG GASVENT51-ASSY	
44	Combustion blower	120V	SW G2017-120	SW G2017-120	SW G2017-120	SW G2017-120
		208 or 240V	SW G2017-230	SW G2017-230	SW G2017-230	SW G2017-230
55	Orifice for propane	All models: SP G2114				

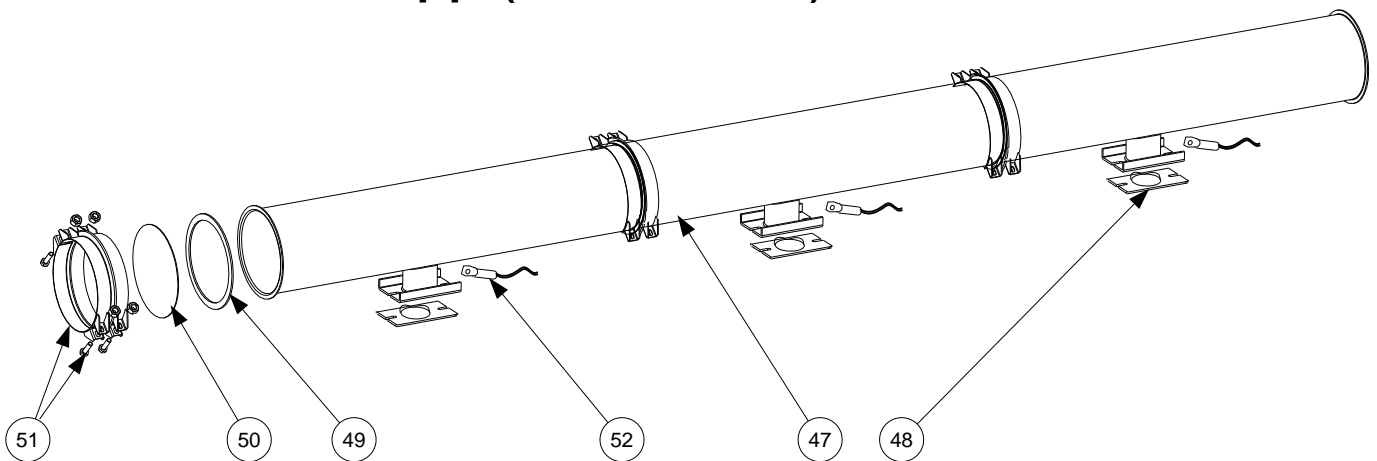
## Exploded Views & Parts List

### Item 11 – Igniter assembly



Item	Description	Model	Part number
45	Igniter holder assembly	All models	SW GIGNHOLD-ASSY
46	Igniter	120V 208 or 240V	SW GIGNITER-120 SW GIGNITER-230

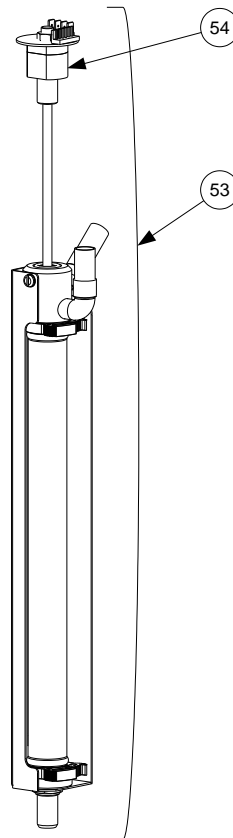
### Item 14 – Internal flue pipe (SKG3-505 to 810)



Item	Description	Model	Part number
47	Flue section	SKG3-505 to 810	SP G2201
48	Flue breech pipe gasket	All models	SP G2107
49	Flue joint fiber gasket	SKG3-505 to 810	SP G2108
50	Flue section blind flange	SKG3-505 to 810	SP G2206
51	Flue connection clamp assembly	SKG3-505 to 810	SP G2203
52	Flue temperature sensor	All models	SW GCHIMPROBE-ASSY

## Exploded Views & Parts List

### Water level sensor assembly

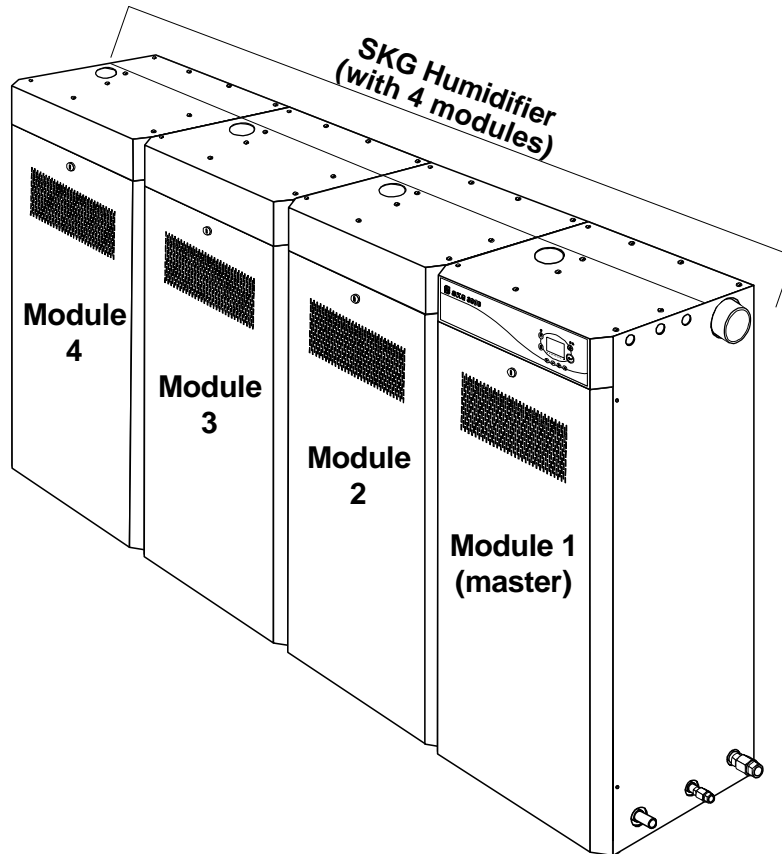


Water level sensor assembly - Fig. 58

Item	Description	Model	Part number
53	Water level sensor assembly	All models	SW GWATLEV-ASSY
54	Water level sensor	All models	SW GWATLEV-SUB



## Multiple Modules Composition Table



Module description - Fig.59

Humidifier Model	No of Modules	Module model number & quantity			
		SKG100	SKG150	SKG180	SKG200
SKG3-110-1 N/P	1	x1			
SKG3-155-1 N/P	1		x1		
SKG3-180-1 N/P	1			x1	
SKG3-210-1 N/P	1				x1
SKG3-265-2 N/P	2	x1	x1		
SKG3-310-2 N/P	2		x2		
SKG3-350-2 N/P	2		x1		x1
SKG3-405-2 N/P	2				x2
SKG3-505-3 N/P	3		x1	x1	x1
SKG3-560-3 N/P	3		x1		x2
SKG3-610-3 N/P	3				x3
SKG3 710-4 N/P	4		x1	x1	x2
SKG3-765-4 N/P	4		x1		x3
SKG3-810-4 N/P	4				x4



**neptronic<sup>®</sup>**

400 Lebeau blvd, Montreal, Qc, H4N 1R6, Canada

[www.neptronic.com](http://www.neptronic.com)

Toll free in North America: 1-800-361-2308

Tel.: (514) 333-1433

Fax: (514) 333-3163

Customer service fax: (514) 333-1091

Monday to Friday: 8:00am to 5:00pm (Eastern time)