



neptronic®

Steam Humidifier

SKE4-N Series

Installation Instructions and User Manual



READ AND SAVE THESE INSTRUCTIONS



Intertek
4011008

Foreword

Neptronic Company Overview

Founded in 1976, we're a private corporation that designs, manufactures and distributes products for the HVAC industry. Our product line includes intelligent controllers, electronic actuators, actuated valves, humidifiers and electric heaters.

Our products are designed and manufactured by over 250 dedicated employees in our 7,500 m² (80,000 ft²) state-of-the-art facility located in Montreal, Canada. Using a vertical integration model, our entire manufacturing chain is under one roof, from software and hardware development, to SMT circuit board assembly, to sheet metal fabrication, to product testing, ensuring that our products are engineered to last.

We currently hold several national and international patents and with our continued commitment to research and development, we provide innovative products and technologies for the ever-evolving challenges of the HVAC industry. Exporting over 70% of our sales, we have an exclusive distribution network around the globe that provides comprehensive solutions to our worldwide customers.

About the Manual

These installation and operation instructions have been developed to facilitate the installation of the Steam Humidifier.

- The strict application of these instructions will ensure the conformity of your installation and operation as per the manufacturer's recommendations.
- The application of these instructions is one of the conditions for the application of the warranty.
- The application of these instructions does not ensure, at any time conformity to procedures, regulation or local codes, regarding electric installation and connection to local water supply.

This product has been declared to conform to the applicable Canadian and American safety standards and directives and bear the ETL (c) & (us) mark. The Certificate for ETL is available, upon request to the manufacturer.

2018[®]: All rights reserved. This document cannot be reproduced totally or partially by any means whether, electronic, mechanical, photocopy, recording or other, without prior written authorization of Neptronic.

Electricity



All work concerned with electrical installation **MUST** only be performed by skilled and qualified technical personnel, such as an electrician or a technician with appropriate training. The customer is always responsible for ensuring the suitability of the technical personnel.

Please observe the local regulations concerning the provision of electrical installations.

Correct Use

Neptronic systems and its products are designed only for humidification use. Any other application is not considered appropriate for the intended purpose. The manufacturer cannot be made liable for any damage resulting from incorrect use.

General Warranty

This product is subject to the terms and conditions described at <http://www.neptronic.com/Sales-Conditions.aspx>.

Handling and Lifting



Lifting or handling **MUST** be carried out by trained and qualified personnel. Ensure that the lifting operation has been properly planned, assessed for risk and that the equipment has been checked by a competent Health & Safety representative, and effective control measures are in place.

It is the customer's responsibility to ensure that the operators are trained in handling heavy goods and to enforce the relevant lifting regulations.

The Steam Humidifier **MUST** be handled and lifted with care at all times and remain in its original packaging for as long as possible, prior to installation.

The Steam Humidifier package may be carried using a forklift from the underside. Exercise caution before lifting to ensure that the load is balanced.

Unpacking

The Steam Humidifier is shipped inside carton boxes or in a wooden crate. Remove packing and skids prior to commissioning.

Contents

| | |
|---|----|
| Handling and Lifting | ii |
| Overview | 4 |
| List of Accessories Supplied | 4 |
| Available Options | 4 |
| Description of Systems | 4 |
| Visual Overview | 5 |
| Standard Humidifier Unit | 7 |
| Dimensions and Weight | 7 |
| Humidifier with Space Distribution Unit | 8 |
| Humidifier with Space Distribution Unit - Dimensions and Weight | 8 |
| Weather Proof Enclosure | 9 |
| Weather Proof Enclosure - Dimensions and Weight | 9 |
| Output and Power Consumption - Humidifier | 10 |
| Mechanical Installation | 11 |
| General Recommendations | 11 |
| Location | 11 |
| Positioning | 12 |
| Wall Mounting | 13 |
| Positioning - Humidifier with SDU | 16 |
| Maintenance of the SDU | 16 |
| Positioning and Mounting - Weather Proof Enclosure Unit | 17 |
| General Recommendations | 17 |
| Steam Dispersion System | 18 |
| Steam Dispersion System Selection | 18 |
| Positioning S.A.M. and S.A.M.E2 | 20 |
| Placement of Steam Pipe in Horizontal Duct | 21 |



Placement of Steam Pipe in Vertical Duct 22

Steam Output Connections 23

 Installation 23

 General Recommendations 23

 S Trap Installation on the Steam Line 24

 Position of Steam Outputs 25

 Remote Installation - Humidifier with SDU 26

 Wall Mounting the Remote SDU 27

Plumbing Connections 28

 Water Supply Connections 30

 Water Drain Connections 31

 Weather Proof Enclosure Plumbing Connection 32

 Water Drain Valve 32

Electrical Connections 33

 Low Voltage Control Connections 34

 Printed Circuit Board 34

 Safety Contact Connections 35

 Dry Contacts 35

 ON/OFF Humidifier 36

 Modulating Humidifier 37

 Network Communication 39

 Controls Placement (Steam Dispersed into a Duct or AHU) 40

Controller Configuration 41

 Control Panel Features 41

 Idle Screen 42

 Menu Access 42

 Menu Navigation and Configuration 43

 Menu - General 44

 Menu - User 46

 Menu - Service 46

 Menu - Installation 47

 Menu - Integration 49

 List of Alarms 51

Start-up Procedure 52

 Initial Verification 52

 Start-Up 53

Service 54

 Cleaning the Evaporation Chamber 54

Troubleshooting 58

Exploded View and Bill of Material 59

 Exploded View 59

 Bill of Material 61

Overview

List of Accessories Supplied

The following accessories are supplied with the SKE4 Steam Humidifier:

- 2 sets of keys.
- 2 adjustable collars per steam outlet for the connection of the steam hose.
- 1 hydraulic female compression fitting ¾" (DN20) for the drain output of the evaporation chamber.
- 1 hydraulic female elbow fitting ½" (DN15) for the drain output of the drip pan.
- 1 NPT fitting ½" (DN15) for the water supply connection.
- 2 brackets and screws for wall mounting the humidifier (models SKE4-N02 to N60 only).
- 1 Installation Instructions and User Manual.

Available Options

The following options are available when purchasing a SKE4 humidifier:

- Modulating control humidifier (Suffix M, i.e. SKE4-N20M)
- Humidifier for a system supplied with Deionized water or Reverse Osmosis water, having more than 0.0625 ppm of dissolved solids
- Space Distribution Unit mounted on humidifier (SDU) or remotely installed (SDU-REM)
- Weather proof enclosure
- BACnet Network Communication System
- Ethernet (IP) option
- Stainless steel humidifier cabinet

Description of Systems

| System | Description |
|--|--|
| <i>Evaporation Chamber</i> | Removable metallic container in which steam is produced. It is the most important part of the humidifier. |
| <i>Space Distribution Unit (SDU)</i> | Integrated steam distribution unit to humidify air when there is no duct system. Optional feature available for certain humidifier models. |
| <i>Multi-Steam System</i> | Custom made system for steam distribution. This system is designed for applications where absorption distances are very short (less than 3 feet or 900 mm). |
| <i>Steam Absorption Manifold (S.A.M.)</i> | Steam manifold adapted to air duct size. Allows steam absorption for relatively short distance applications (less than 5 feet or 1500 mm). |
| <i>Steam Absorption Manifold with 2 Eyelets (S.A.M.E2)</i> | Steam manifold with two eyelets, adapted for applications with restricted air duct dimensions. Allows steam absorption for relatively short distance applications (less than 5 feet or 1500 mm). |



Visual Overview

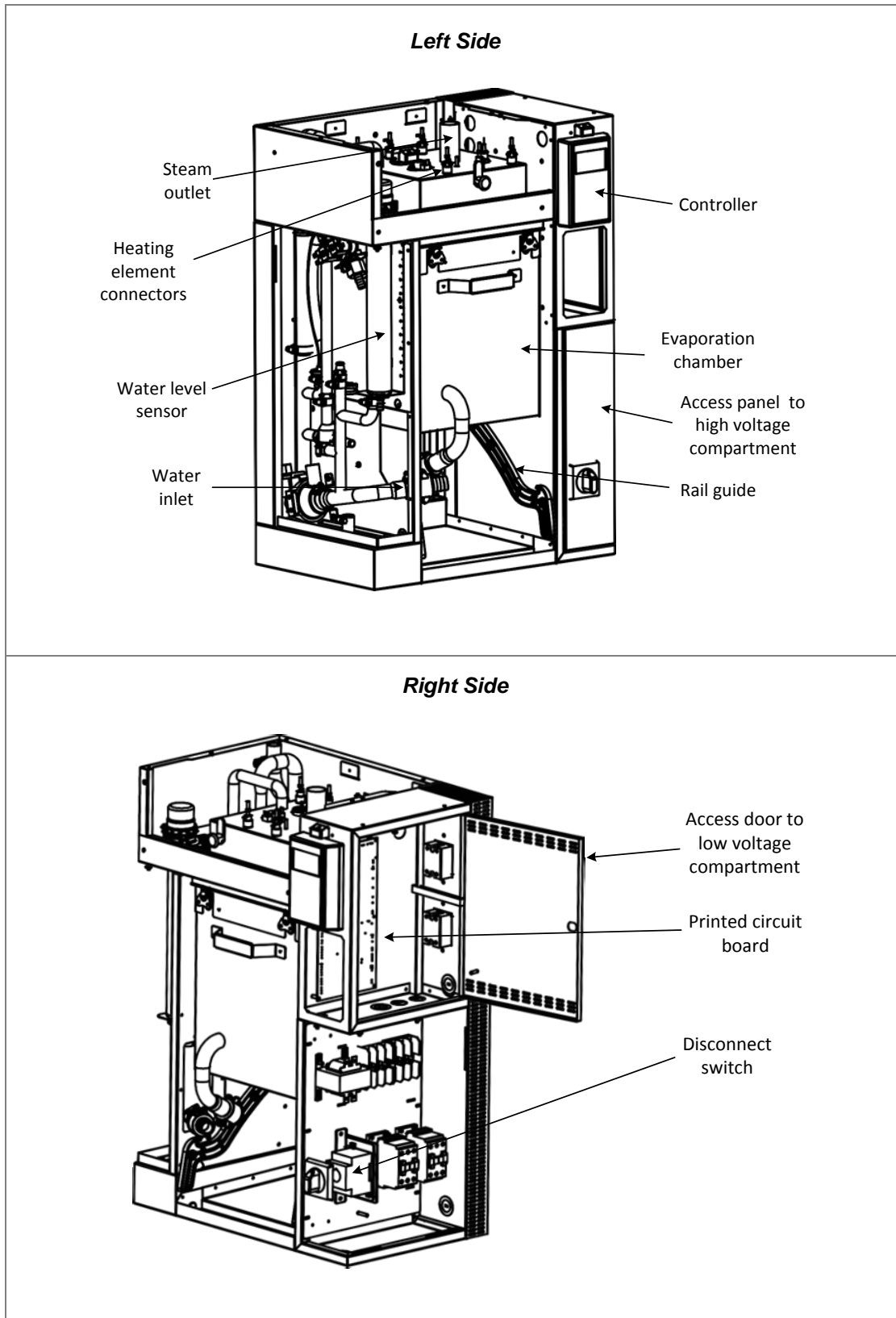


Illustration 1 - Overview of the Humidifier (SKE4-N02 to N60)

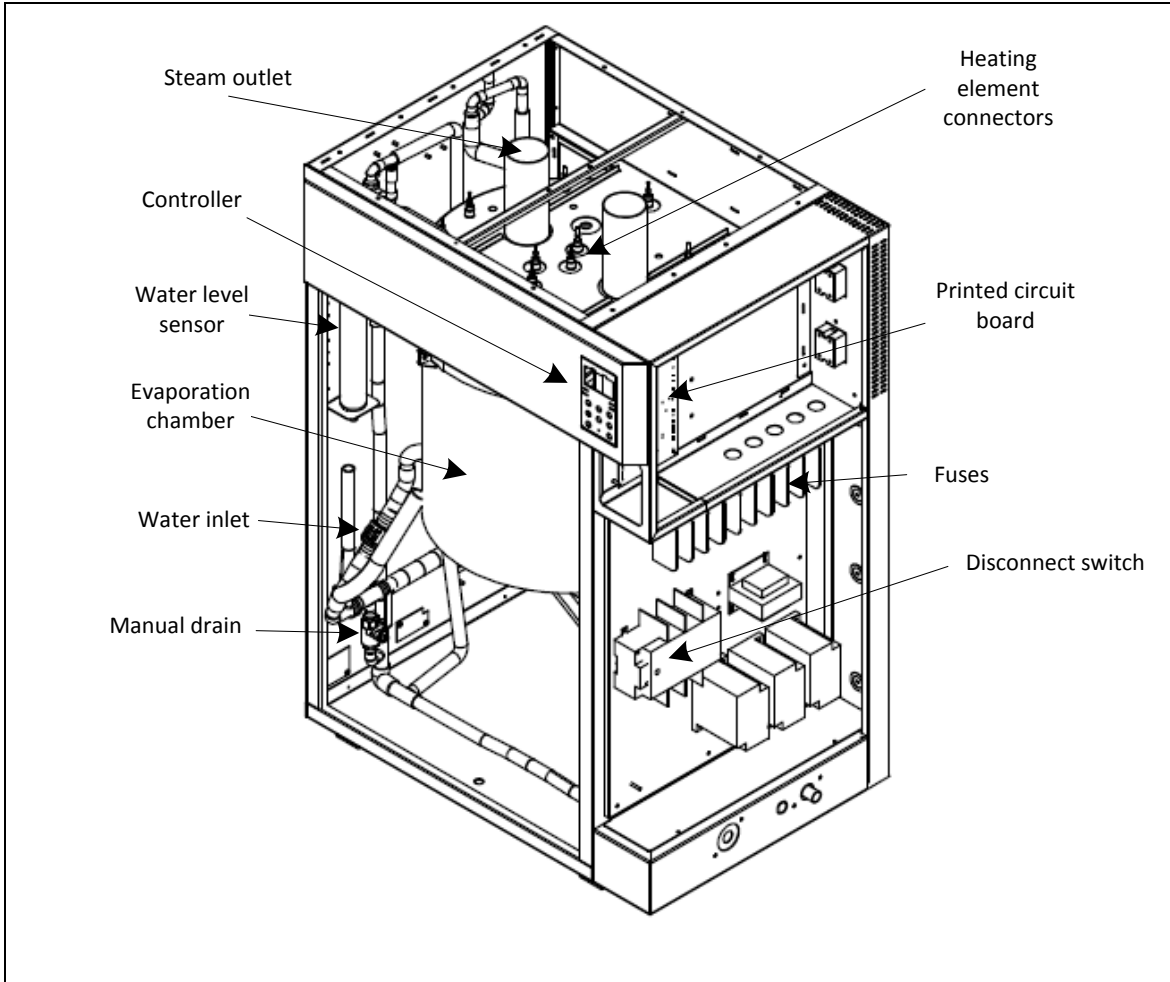


Illustration 2 - Overview of the Humidifier (SKE4-N30X to N90)



Standard Humidifier Unit

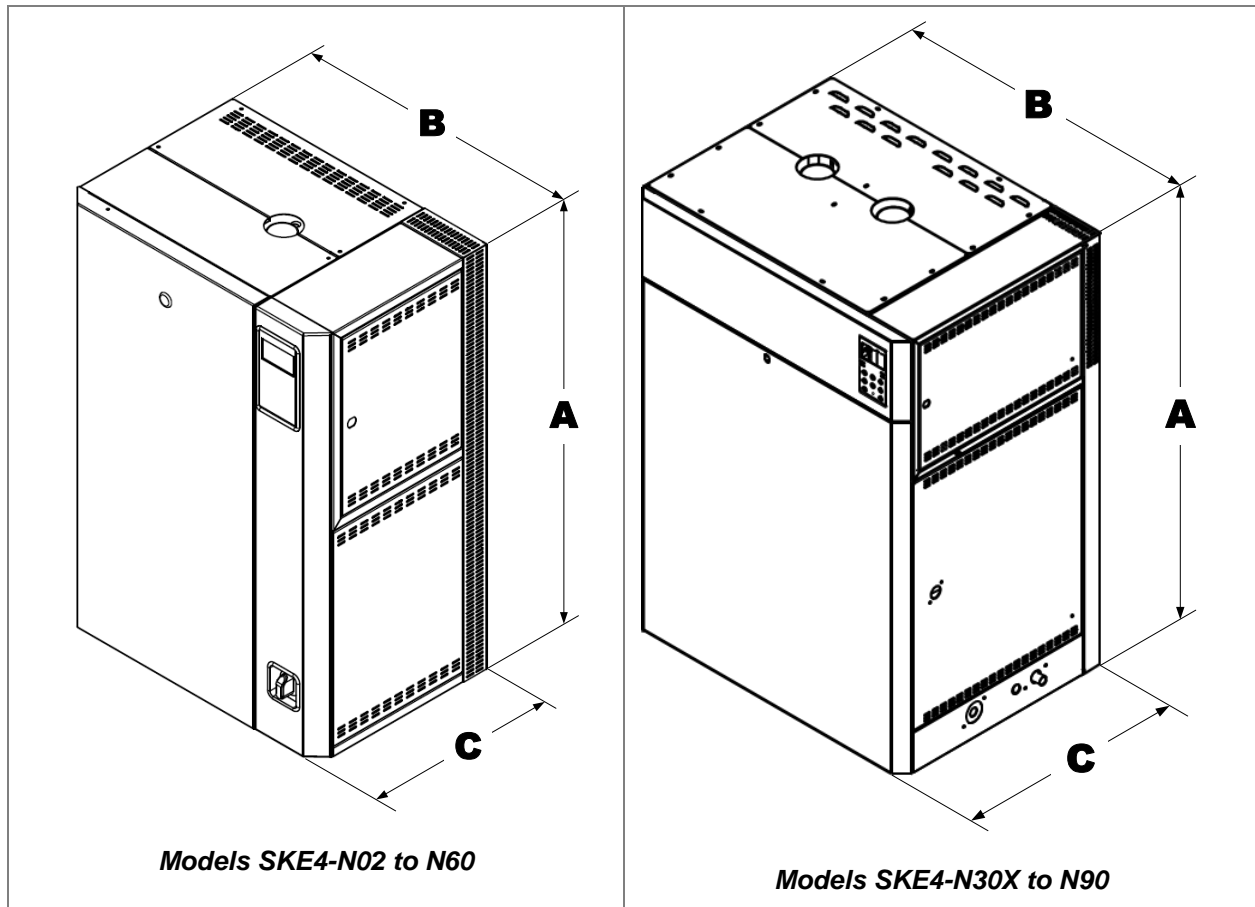


Illustration 3 - SKE4 Steam Humidifier

Dimensions and Weight

Table 1 - Dimensions and Weight

| Model | Dimensions of the Cabinet (inch) [mm] | | | Weight (lb) [kg] | |
|--|---------------------------------------|--------------------------------------|--------------------------------------|------------------|-----------|
| | A | B | C | Empty | Full |
| | | | | | |
| SKE4-N02 SKE4-N04 SKE4-N06 | 23 [584] | 19 ³ / ₈ [492] | 13 ³ / ₄ [349] | 71 [32] | 85 [39] |
| SKE4-N10 SKE4-N14 SKE4-N16 SKE4-N20 SKE4-N30 | 32 [813] | 22 ¹ / ₄ [565] | 15 ¹ / ₈ [384] | 107 [49] | 152 [69] |
| SKE4-N20 L SKE4-N40 SKE4-N50 SKE4-N60 | 32 [813] | 33 ¹ / ₄ [845] | 15 ¹ / ₈ [384] | 143 [65] | 233 [106] |
| SKE4-N30 X SKE4-N40 X SKE4-N70 SKE4-N80 SKE4-N90 | 48 [1219] | 33 [838] | 24 ³ / ₈ [619] | 320 [145] | 444 [200] |



Humidifier with Space Distribution Unit

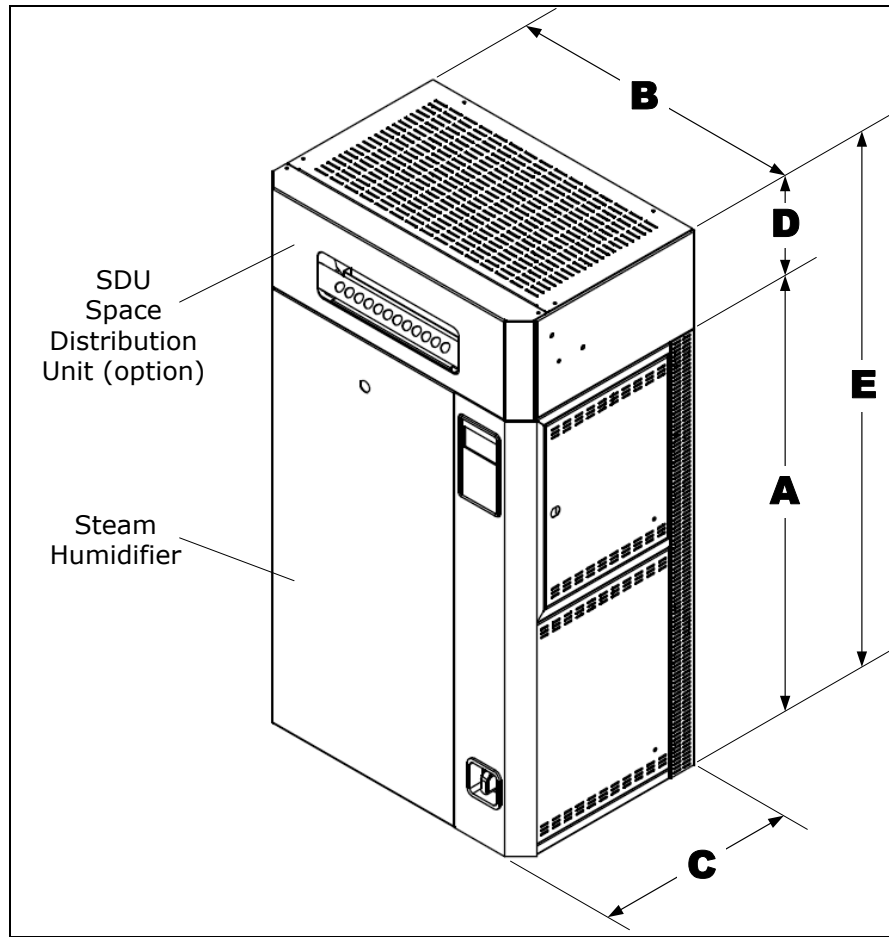


Illustration 4 - Steam Humidifier with Space Distribution Unit

Humidifier with Space Distribution Unit - Dimensions and Weight

Table 2 - Dimensions and Weight of SDU

| Model | Dimensions of the Cabinet (inch) [mm] | | | | | Weight (lb) [kg] | | SDU (lb) [kg] |
|----------------------------------|---------------------------------------|--------------------------------------|--------------------------------------|--------------------------------------|---------------------------------------|------------------|----------|--------------------------|
| | A | B | C | D | E | Empty | Full | |
| | | | | | | | | |
| SKE4-N02 SKE4-N04 SKE4-N06 | 23 [584] | 19 ³ / ₈ [492] | 13 ³ / ₄ [349] | 6 ³ / ₄ [171] | 29 ³ / ₄ [755] | 86 [39] | 100 [45] | SDU4-1 15 [7] |
| SKE4-N10 SKE4-N14 SKE4-N16 | 32 [813] | 22 ¹ / ₄ [565] | 15 ¹ / ₈ [384] | 7 ³ / ₄ [197] | 39 ³ / ₄ [1010] | 127 [58] | 172 [78] | SDU4-2 20 [9] |
| SKE4-N20 SKE4-N30 | 32 [813] | 22 ¹ / ₄ [565] | 15 ¹ / ₈ [384] | 11 ³ / ₈ [289] | 43 ³ / ₈ [1102] | 137 [62] | 182 [83] | SDU4-3 30 [14] |



Weather Proof Enclosure

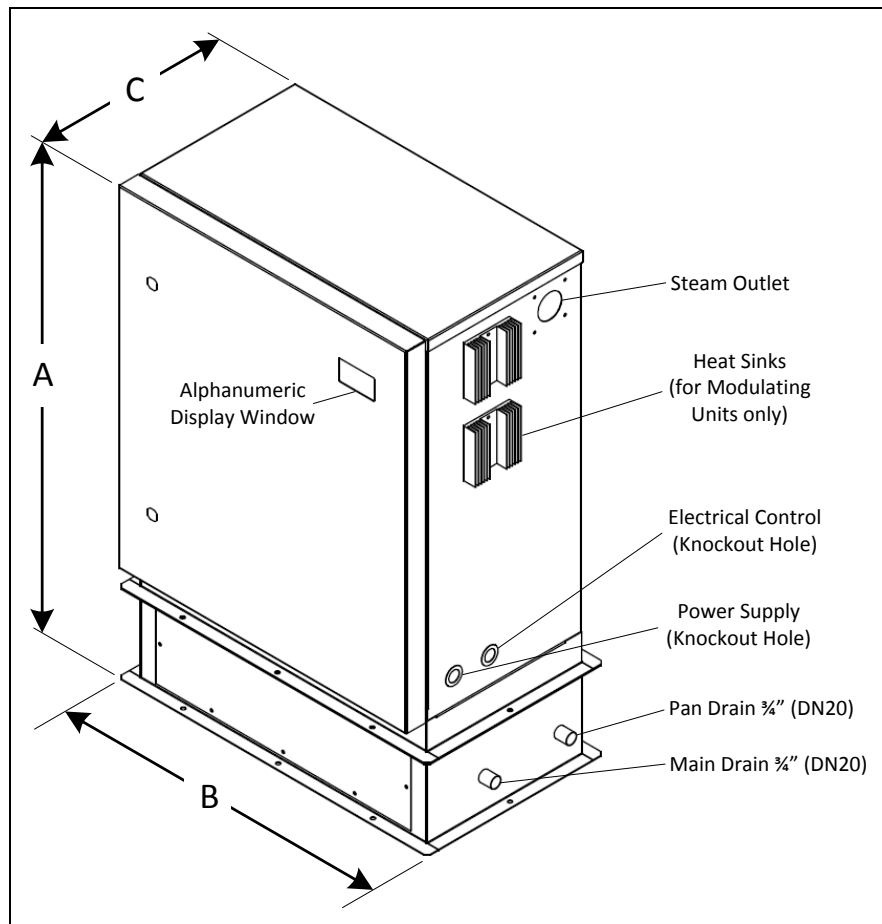


Illustration 5 - Weather Proof Enclosure

Weather Proof Enclosure - Dimensions and Weight

Table 3 - Weather Proof Enclosure: Dimensions and Weight

| Model | Dimensions of the Cabinet (inch) [mm] | | | Weight (lb) [kg] | |
|--|---------------------------------------|-------------|--------------|------------------|-----------|
| | A | B | C | Empty | Full |
| | | | | | |
| SKE4-N02 SKE4-N04 SKE4-N06 | 36.5 [927] | 25.9 [658] | 14.8 [376] | 100 [45] | 115 [52] |
| SKE4-N10 SKE4-N14 SKE4-N16 SKE4-N20 SKE4-N30 | 41 1/8 [1045] | 29.8 [757] | 15 1/8 [384] | 130 [59] | 175 [80] |
| SKE4-N20 L SKE4-N40 SKE4-N50 SKE4-N60 | 41 1/8 [1045] | 40.8 [1036] | 15 1/8 [384] | 195 [89] | 285 [129] |
| SKE4-N30 X SKE4-N40 X SKE4-N70 SKE4-N80 SKE4-N90 | 55.8 [1417] | 38 [965] | 28.6 [727] | 405 [184] | 529 [240] |



Output and Power Consumption - Humidifier

Table 4 - Output and Power Consumption

| Model | Steam | | Consumption | | | | | | | | Steam Output | |
|------------|--------------------------------|---------------|--------------|-------|-------|-------|-------|-------|-------|-------|--------------|----------------------------|
| | Capacity (lb/hr) [kg/hr] | Power (kW) | Amperage (A) | | | | | | | | Qty | Diameter (inch) [mm] |
| | | | 120/1 | 240/1 | 208/1 | 208/3 | 480/1 | 480/3 | 600/1 | 600/3 | | |
| SKE4-N02 | 6 [2.7] | 2 | 17 | 8.5 | 10 | - | 4.5 | - | 3.5 | - | 1 | 1 3/8 [35] |
| SKE4-N04 | 12 [5.5] | 4 | - | 17 | 19 | 11.5 | 8.5 | 5 | 7 | 4 | 1 | 1 3/8 [35] |
| SKE4-N06 | 18 [8] | 6 | - | 26 | 30 | 16.5 | 13 | 7.2 | 10.5 | 6 | 1 | 1 3/8 [35] |
| SKE4-N10 | 30 [14] | 10 | - | - | - | 28 | - | 12 | - | 10 | 1 | 1 3/8 [35] |
| SKE4-N14 | 40 [19] | 13.5 | - | - | - | 38 | - | 16.5 | - | 13.5 | 1 | 1 3/8 [35] |
| SKE4-N16 | 48 [21.8] | 16 | - | - | - | 45 | - | - | - | 16 | 1 | 2 1/8 [54] |
| SKE4-N20 | 60 [28] | 20 | - | - | - | - | - | 25 | - | 20 | 1 | 2 1/8 [54] |
| SKE4-N30 | 90 [41] | 30 | - | - | - | - | - | 36 | - | 30 | 1 | 2 1/8 [54] |
| SKE4-N20 L | 60 [28] | 20 | - | - | - | 56 | - | - | - | - | 1 | 3 [76] |
| SKE4-N40 | 120 [56] | 40 | - | - | - | - | - | 50 | - | 40 | 1 | 3 [76] |
| SKE4-N50 | 150 [68] | 50 | - | - | - | - | - | 60 | - | 50 | 1 | 3 [76] |
| SKE4-N60 | 180 [82] | 60 | - | - | - | - | - | 72 | - | 60 | 1 | 3 [76] |
| SKE4-N30 X | 90 [41] | 30 | - | - | - | 83.4 | - | - | - | - | 1 | 3 [76] |
| SKE4-N40 X | 120 [56] | 40 | - | - | - | 111 | - | - | - | - | 1 | 3 [76] |
| SKE4-N70 | 210 [95] | 70 | - | - | - | - | - | 84 | - | 70 | 1 | 3 [76] |
| SKE4-N80 | 240 [108] | 80 | - | - | - | - | - | 96 | - | 81 | 2 | 3 [76] |
| SKE4-N90 | 270 [122] | 90 | - | - | - | - | - | 109 | - | 91 | 2 | 3 [76] |



WARNING: For Modulating Humidifier, maintain the maximum power of the electrical installations according to the information in Table 4 - Output and Power Consumption. Do not consider a possible reduction of steam output due to modulation.

Mechanical Installation

General Recommendations



WARNING: Risk of electric shock. Disconnect the appliance from electric supply before commencing installation.



Note: Mechanical installation must conform to local codes and regulations.

Location



WARNING: The SKE4 series is designed for indoor installation only.

For outdoor installation, the SKE4 must be installed using a Neptronic weather proof enclosure (see Positioning and Mounting - Weather Proof Enclosure Unit on page 17).

Failure to follow these guidelines will void the warranty.

Consider the following points before deciding the location for the SKE4 Steam Humidifier:

- Plan a location that is easy to access and permits an easy inspection and servicing of the humidifier.
- Do not install the humidifier where failure of the appliance could cause damage to the building structure or to other expensive equipment.
- Ensure that the location is well ventilated and that the ambient temperature is less than 86°F (30°C).
- Consider the total steam line length between the humidifier and the steam distributor based on the steam line material type:
 - For flexible steam hose, total steam line must not exceed 16 feet (5 meters). For longer distances, use insulated hard piping.
 - For insulated hard piping, the total steam line is determined by the humidifier capacity: one equivalent foot for each lb/hr capacity of the humidifier (0.67 m for each kg/hr), with a maximum of 50 feet (15 m). For longer steam line runs, consult factory.



Positioning

- Ensure that the front panel, the left side (plumbing compartment) and the right side (electrical compartment) are accessible in order to permit servicing.
- Leave a clearance of at least 48" (1.2 m) to the front panel and 12" (0.3 m) on the left and right sides of the humidifier.
- Leave a clearance of at least 20" (0.5 m) on top of the humidifier.

For models SKE4-N02 to N60:

- Mount the humidifier at a minimum height of 24" (0.6 m) above floor level.
- Leave a clearance of at least 10" (0.25 m) under the humidifier for installation of water supply, drain piping and electrical connections.

For models SKE4-N30 X to N90:

- These models are designed to be installed directly on the floor. Adjustable legs are provided in order to ensure proper level.
- Provide a level, solid foundation and ensure that the floor beneath the humidifier is water proof to withstand any water spillage during servicing or in the event of a problem.

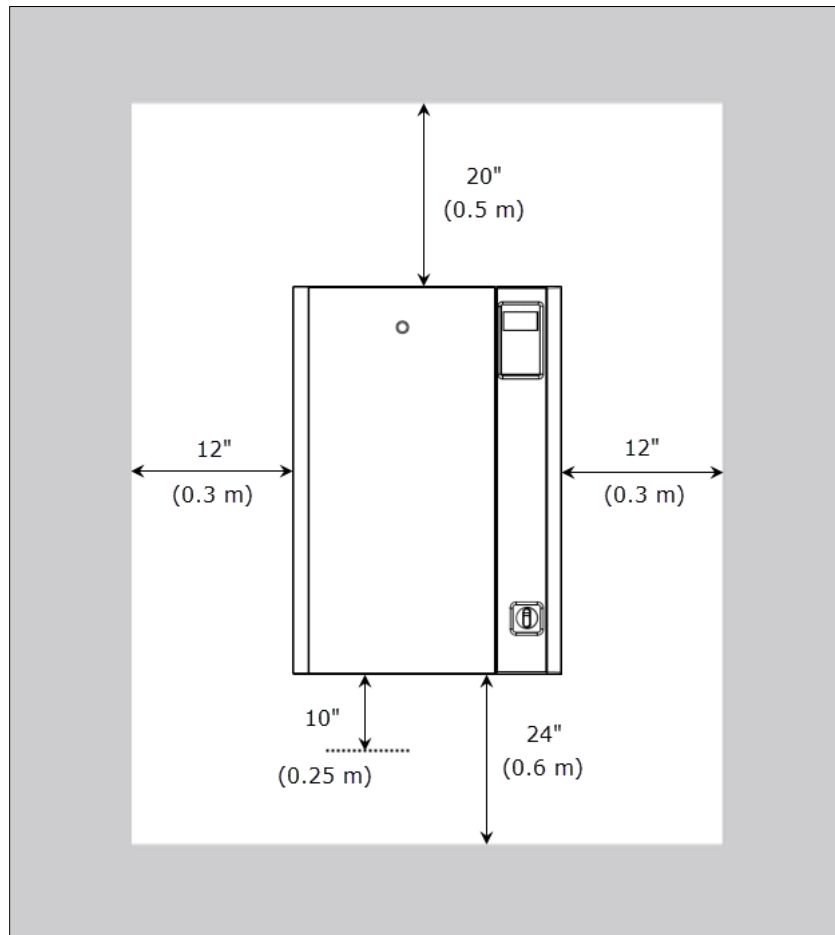


Illustration 6 - Positioning the Humidifier

Wall Mounting



CAUTION: Risk of malfunction. The humidifier must be placed at an equal level.

CAUTION: Risk of overheating. Do not block the ventilation openings located on the cabinet.

Before proceeding, check the strength of the chosen support or wall (brick, concrete, stud partition wall) on which the humidifier will be mounted. See the Dimensions and Weight section (page 7) to know the weight of the unit.

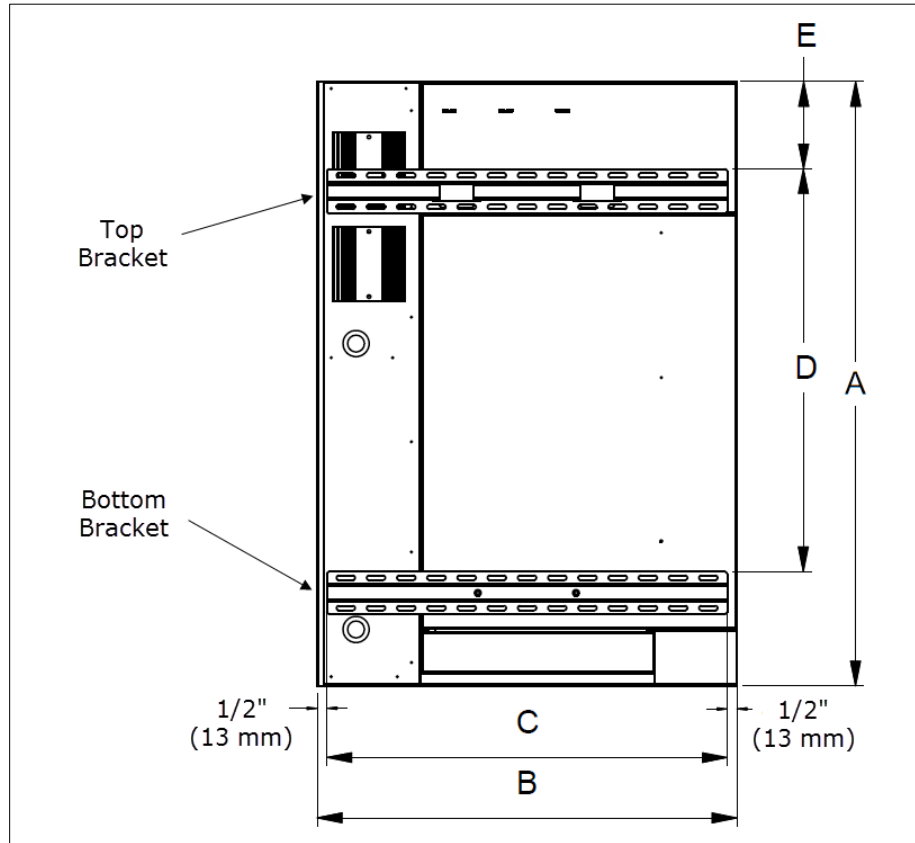


Illustration 7 - Mounting Bracket Positioning

Table 5 - Positioning Lines of Mounting Brackets

| Model | Dimensions (inch) [mm] | | | | |
|--|------------------------|--------------------------------------|--------------------------------------|--------------------------------------|----------|
| | A | B | C | D | E |
| SKE4-N02 SKE4-N04 SKE4-N06 | 23 [584] | 19 ³ / ₈ [492] | 18 ³ / ₈ [467] | 18 ³ / ₈ [467] | 7/8 [22] |
| SKE4-N10 SKE4-N14 SKE4-N16 SKE4-N20 SKE4-N30 | 32 [813] | 22 ¹ / ₄ [565] | 21 ¹ / ₄ [540] | 21 ¹ / ₄ [540] | 7/8 [22] |
| SKE4-N20 L SKE4-N40 SKE4-N50 SKE4-N60 | 32 [813] | 33 ¹ / ₄ [845] | 28 ¹ / ₄ [718] | 21 ¹ / ₄ [540] | 7/8 [22] |



Note: Models SKE4-N30X to N90 cannot be wall mounted and must be properly secured to the ground using the adjustable legs.



To wall mount the humidifier, perform the following steps:

1. Place the top bracket (supplied) on the support or wall as per the dimensions specified in Table 5 - Positioning Lines of Mounting Brackets.
2. Drill 4 screws (not supplied) into the slotted holes of the top bracket, to secure the bracket to the support or wall.
3. Place the bottom bracket (supplied) on the support or wall as per the dimensions specified in Table 5 - Positioning Lines of Mounting Brackets.
4. Drill 4 screws (not supplied) into the slotted holes of the bottom bracket, to secure the bracket to the support or wall.

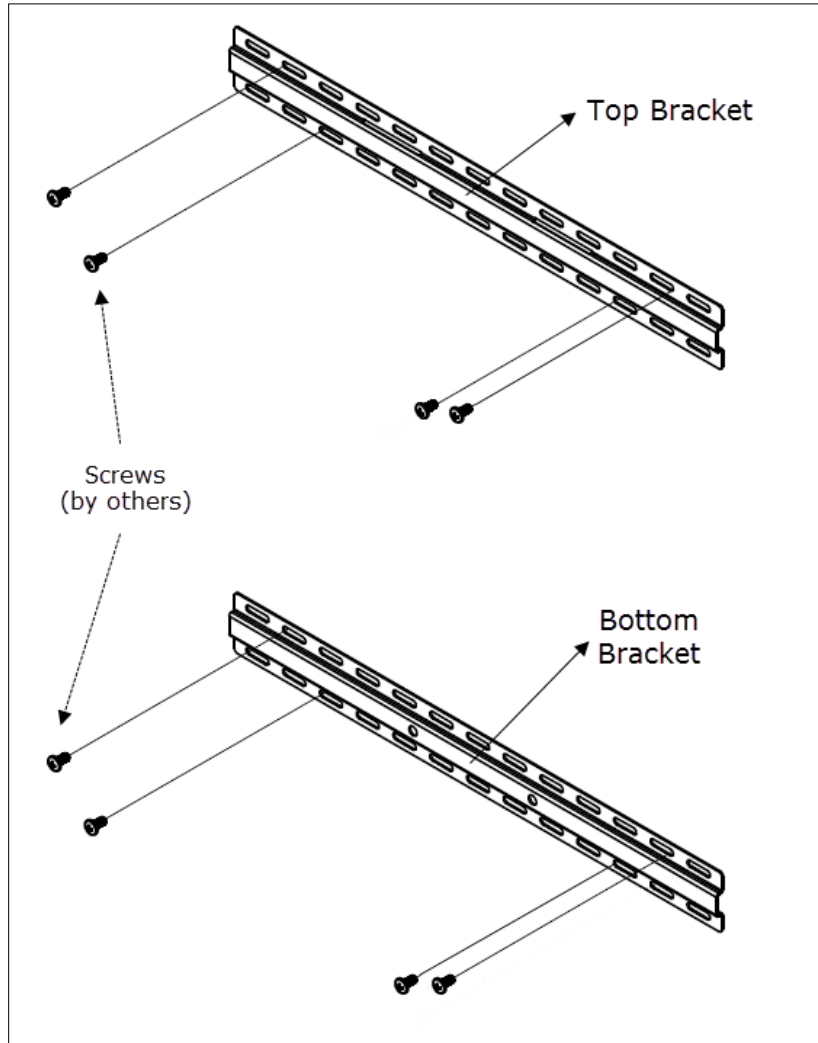


Illustration 8 - Mounting Bracket Attachment



5. Secure the humidifier to the top bracket, by placing the back inserts into the open slots located on the edge of the center of the top bracket.

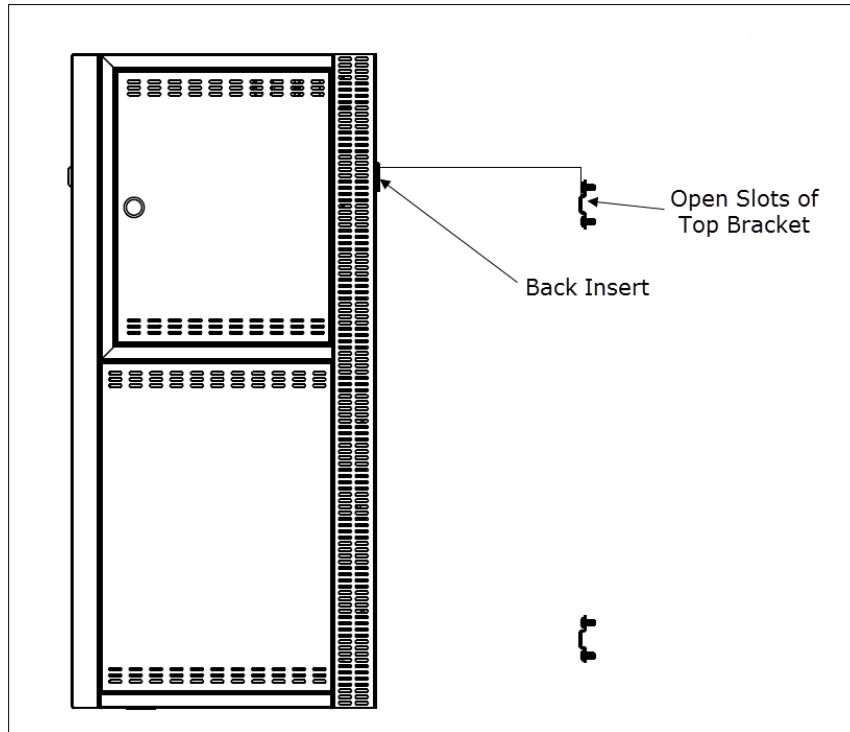


Illustration 9 - Top Mounting Bracket Connection

6. Open the front door of the humidifier to gain access to the slotted holes located in the back of the cabinet. Verify that the holes are aligned with the ones located in the center of the bottom bracket.
7. From inside the humidifier, drill 2 (**models SKE4-N02 to N30**) or 4 (**models SKE4-N20L to N60**) screws (supplied) into the center of the bottom bracket, in order to secure the humidifier to the support or wall.

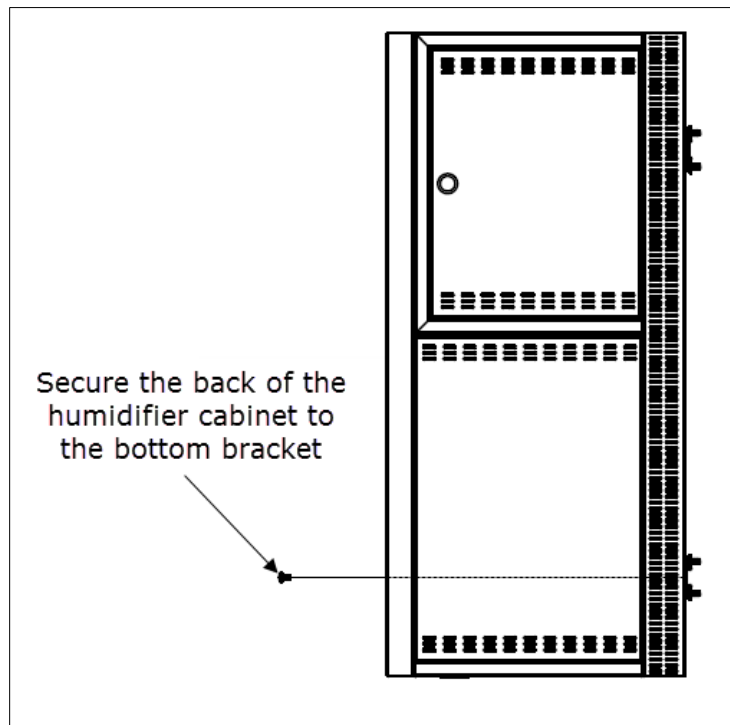


Illustration 10 - Bottom Mounting Bracket Connection

Positioning - Humidifier with SDU

- The SDU must be installed in an environment where the air is relatively clean. This will prevent the blower from getting clogged with dust.
- The humidifier must be mounted such that the SDU fan section is at least 78" (2 m) above the floor.
- Allocate a minimum clearance of 18" (0.45 m) from the ceiling to avoid ceiling and wall condensation.
- If additional ventilation is not present, ensure that the fan has a clearance of at least 54" (1.35 m) from the ceiling.

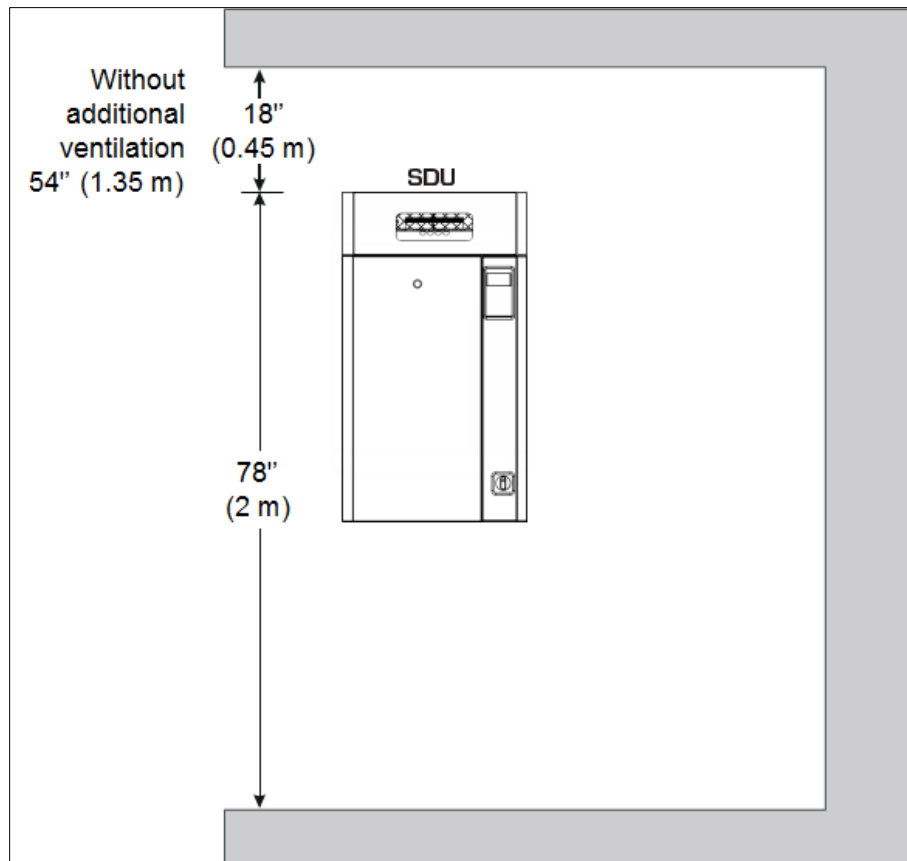


Illustration 11 - SDU Mounted on Humidifier

Maintenance of the SDU

Clean the blower if there is an accumulation of dust.



Positioning and Mounting - Weather Proof Enclosure Unit

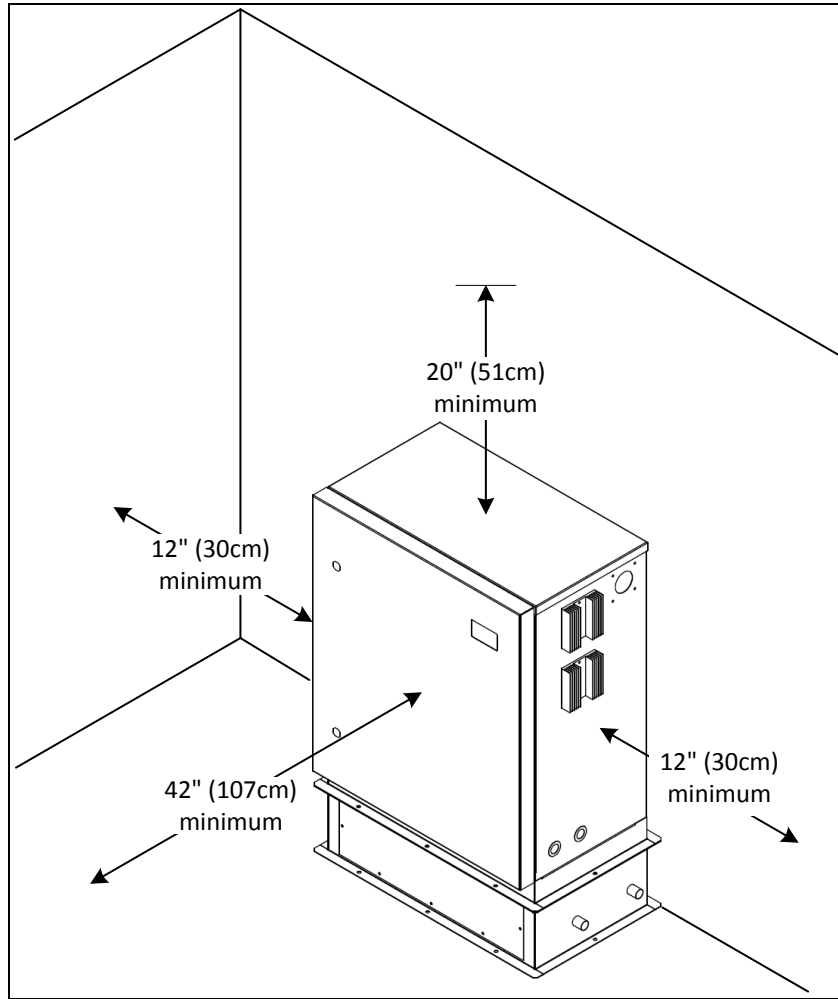


Illustration 12 - Weather Proof Enclosure Unit

General Recommendations

- Plan a location that is easy to access and permits an easy inspection and servicing of the humidifier.
- Do not install the humidifier where failure of the appliance could cause damage to the building structure or to other expensive equipment.
- Maintain the following minimum clearances while installing to enable access for inspection and servicing.

| Side | Minimum Clearance |
|------------|-------------------|
| Top | 20" (51 cm) |
| Both sides | 12" (30 cm) |
| Front | 42" (107 cm) |

- The humidifier is designed to be installed directly on the floor/roof or a curb.
- Provide a level, solid foundation for the humidifier.
- Ensure that the floor/roof beneath the humidifier is water proof to withstand any water spillage during servicing or if a problem occurs.
- Attach the SKE4 enclosure securely and safely.

Steam Dispersion System

Steam Dispersion System Selection

In order to prevent the accumulation of condensation in air ducts, Neptronic has designed four basic configurations of steam distribution systems to provide the most economical solution for any particular application.

Steam Absorption Manifold (S.A.M.) Horizontal Duct

The S.A.M. system is suitable for installations where absorption distances are short, less than 5 feet (1500 mm), and/or low duct temperatures are in effect.

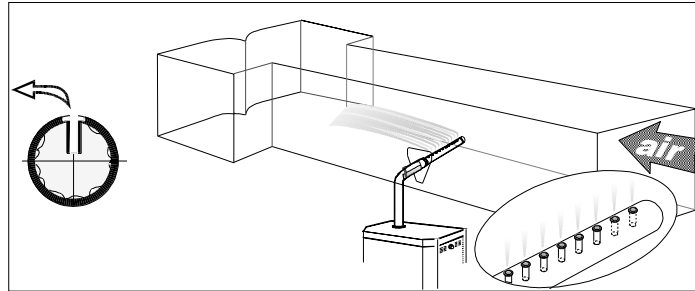


Illustration 13 - Steam Absorption Manifold (S.A.M.) Horizontal Duct

Steam Absorption Manifold (S.A.M.E2) Horizontal Duct

The S.A.M.E2 system is suitable for installations where absorption distances are short, less than 5 feet (1500 mm), and/or low duct temperatures are in effect. S.A.M.E2 are used in applications with restricted duct dimensions.

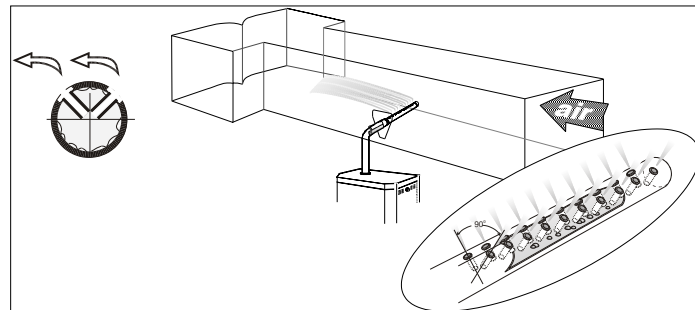


Illustration 14 - Steam Absorption Manifold (S.A.M.E2) Horizontal Duct

Steam Absorption Manifold (S.A.M. or S.A.M.E2) Vertical Duct

S.A.M. or S.A.M.E2 systems for vertical ducts are used when the absorption distances are normal and the requirement is for an economical and efficient solution.

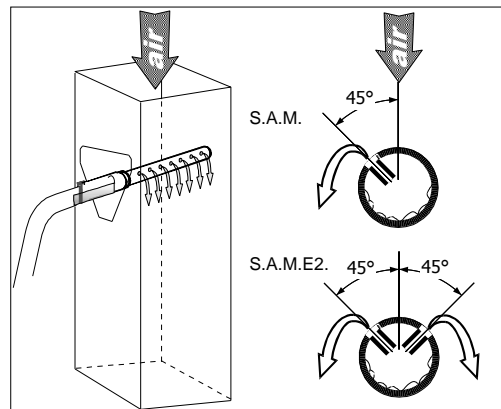


Illustration 15 - Steam Absorption Manifold (S.A.M. or S.A.M.E2) Vertical Duct

Multi-Steam System

The Multi-Steam system is used in critical locations in air handling systems, particularly where absorption distances are very short, less than 3 feet (900 mm), or where low air duct temperatures are present. The Multi-Steam is custom made to the dimensions of the duct or AHU.

Instructions to install the Multi-Steam system are described in a specific installation instructions manual enclosed with the Multi-Steam system.

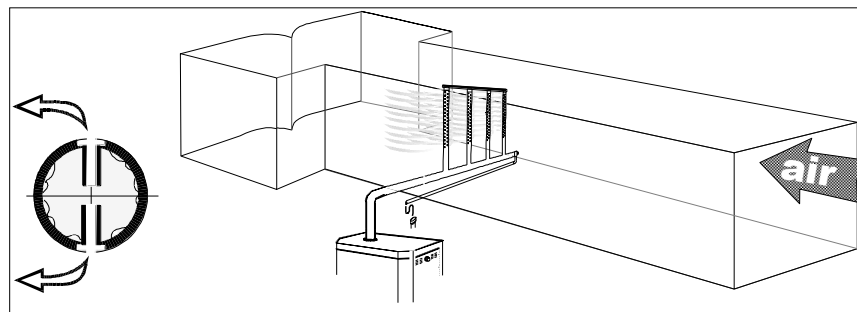


Illustration 16 - Multi Steam System

Positioning S.A.M. and S.A.M.E2

Duct Mounting

The steam manifold must be mounted and secured through the side of the air handling unit or duct. Ensure that provisions are made for safe accessibility, ideally with an observation light and window. Ensure that the construction of the duct wall is suitable enough to support the steam pipe for the duration of the installation life.

The dimension of the hole size in the duct must be as follows:

| Steam Manifold Ø | Hole Size ØA |
|------------------|--------------|
| 1 3/8" (35 mm) | 2" (51 mm) |
| 2 1/8" (54 mm) | 3" (76 mm) |

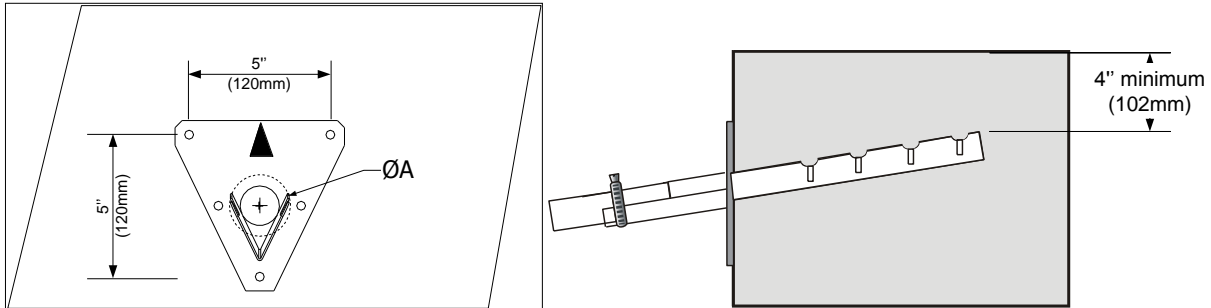


Illustration 17 - Duct Hole Dimensions and Minimum Distance



WARNING: Risk of condensation. Ensure that the minimum distance at the end of the manifold is at least 4" (102 mm) from the top of the duct.

Recommendation for S.A.M. Distribution Pipes

Table 6 - Recommendation for S.A.M. Distribution Pipes

| Model | Max Capacity | | Distribution Pipes | | | | Max Static Pressure | |
|------------|--------------|-------|--------------------|---|--------------------|------------|---------------------|------|
| | lb/hr | kg/hr | Qty | | Diameter (in) [mm] | | in. of water | Pa |
| SKE4-N02 | 6 | 2.7 | 1 | | 1 3/8 [35] | | 5 | 1245 |
| SKE4-N04 | 12 | 5.5 | | | | | | |
| SKE4-N06 | 18 | 8 | | | | | | |
| SKE4-N10 | 30 | 14 | | | | | | |
| SKE4-N14 | 40 | 19 | | | | | | |
| SKE4-N16 | 48 | 22 | 1 | 2 | 2 1/8 [54] | 1 3/8 [35] | 5 | 1245 |
| SKE4-N20 | 60 | 28 | | | | | | |
| SKE4-N30 | 90 | 41 | 2 | | 2 1/8 [54] | | 5 | 1245 |
| SKE4-N20 L | 60 | 28 | | | | | | |
| SKE4-N40 | 120 | 56 | | | | | | |
| SKE4-N50 | 150 | 68 | | | | | | |
| SKE4-N60 | 180 | 82 | 3 | | | | | |

For higher static pressure, contact the manufacturer.



Note: A steam header having an inlet of 3" (76 mm) and two or three outlets of 2 1/8" (54 mm) is required when using S.A.M. steam manifolds for models SKE4-N20L to N60 (purchased separately).

Placement of Steam Pipe in Horizontal Duct

1 3/8" (35mm) Diameter Pipe

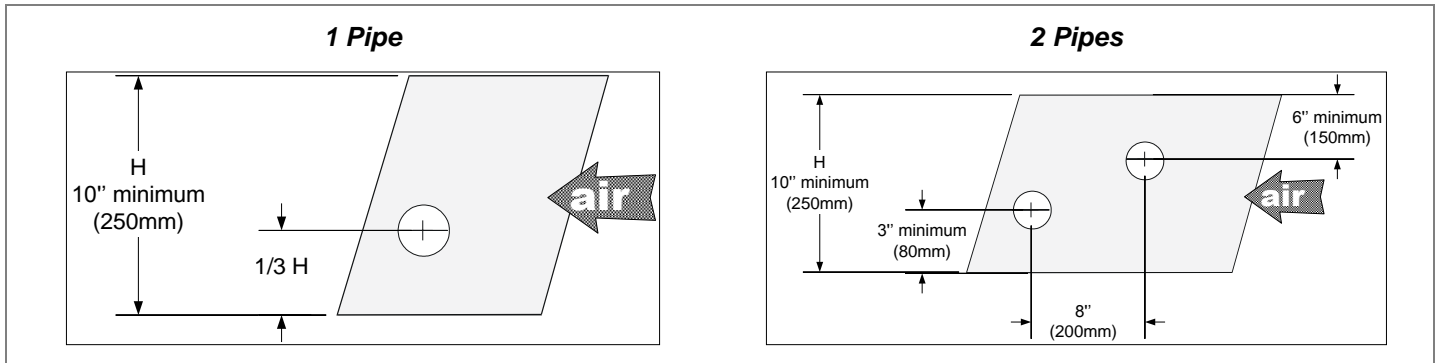


Illustration 18 - 1 3/8" (35 mm) Diameter Pipe Placement: Horizontal Duct

2 1/8" (54mm) Diameter Pipe

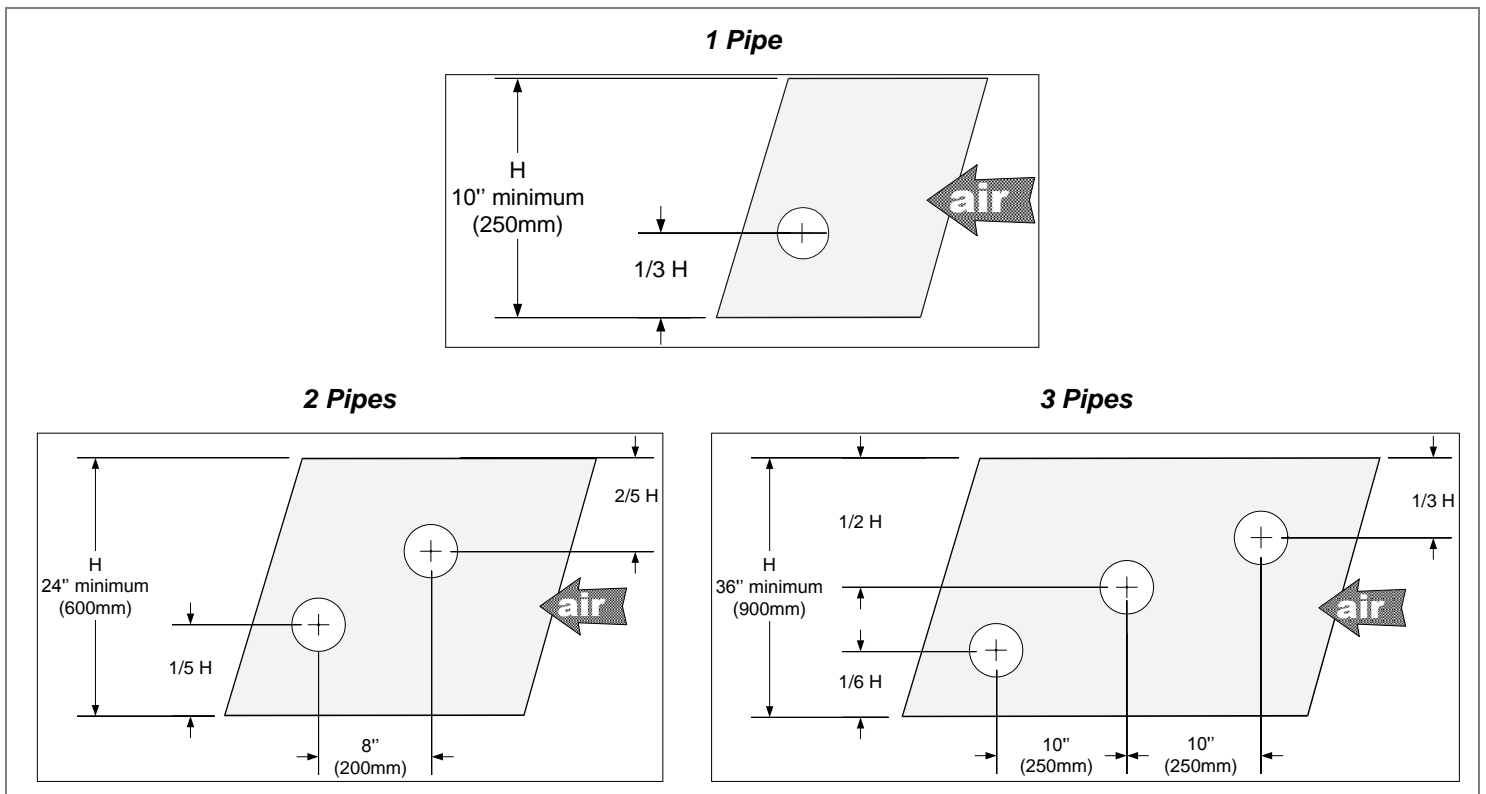


Illustration 19 - 2 1/8" (54 mm) Diameter Pipe Placement: Horizontal Duct



Note: 2 1/8" (54 mm) steam pipe must be supported on the end by appropriate duct hanger or strap (supplied by others).

Placement of Steam Pipe in Vertical Duct

Eyelet Orientation

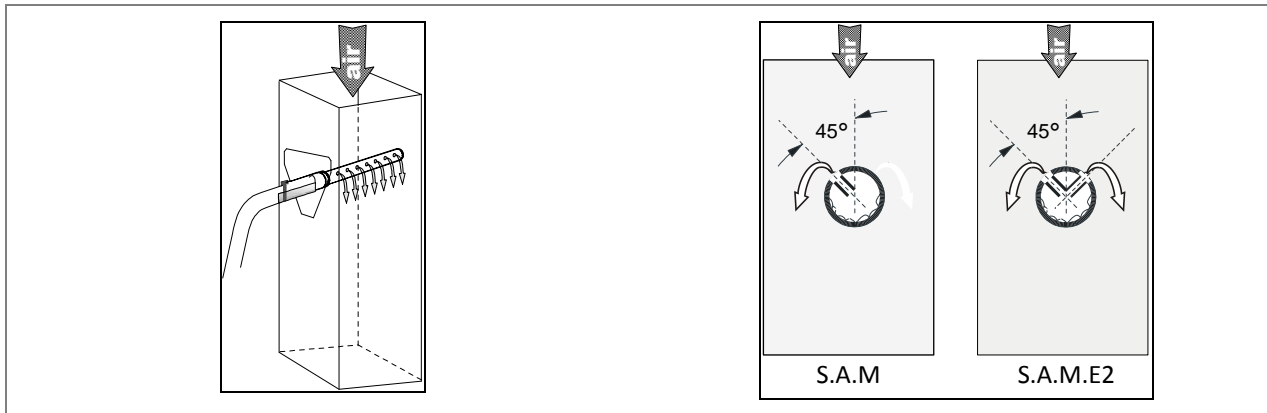


Illustration 20 - Eyelet Orientation

1 3/8" (35 mm) Diameter Pipe

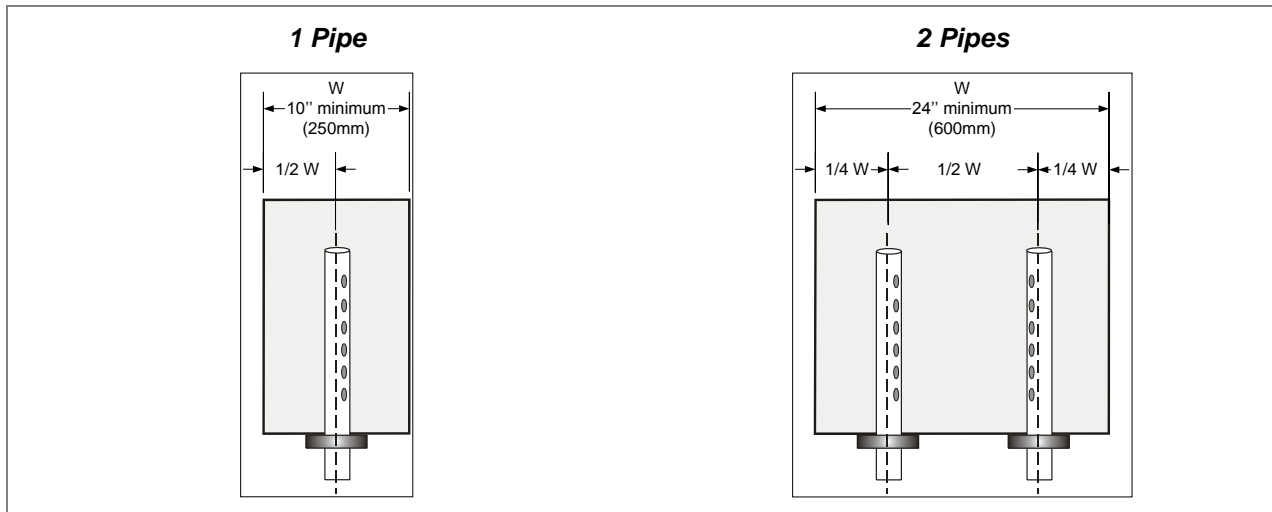


Illustration 21 - 1 3/8" (35 mm) Diameter Pipe Placement: Vertical Duct

2 1/8" (54 mm) Diameter Pipe

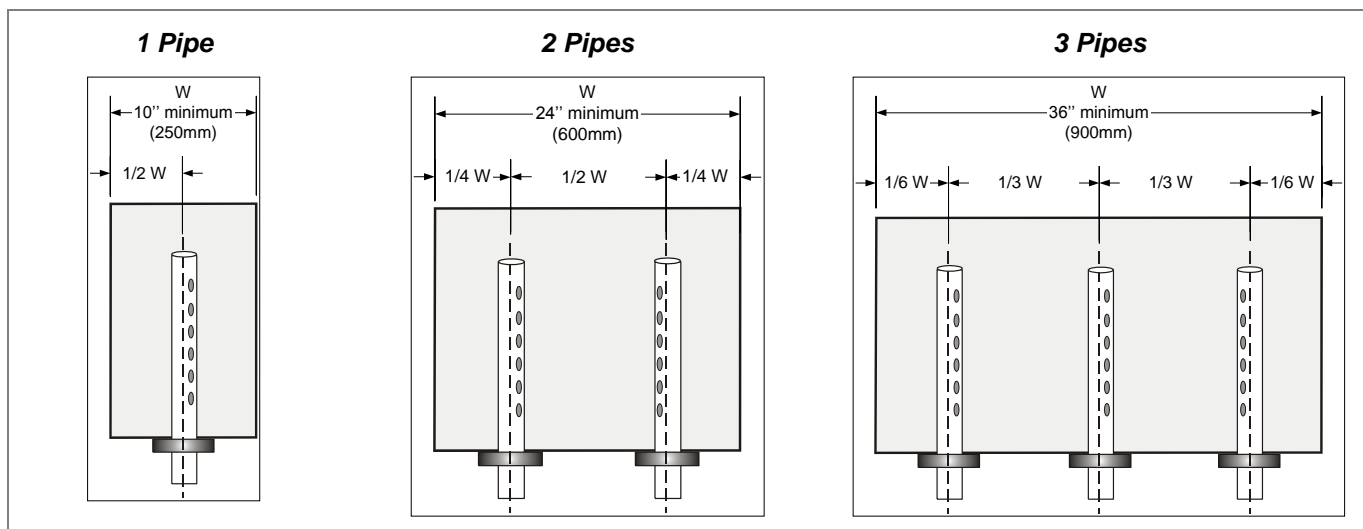


Illustration 22 - 2 1/8" (54 mm) Diameter Pipe Placement: Vertical Duct

Steam Output Connections

Installation

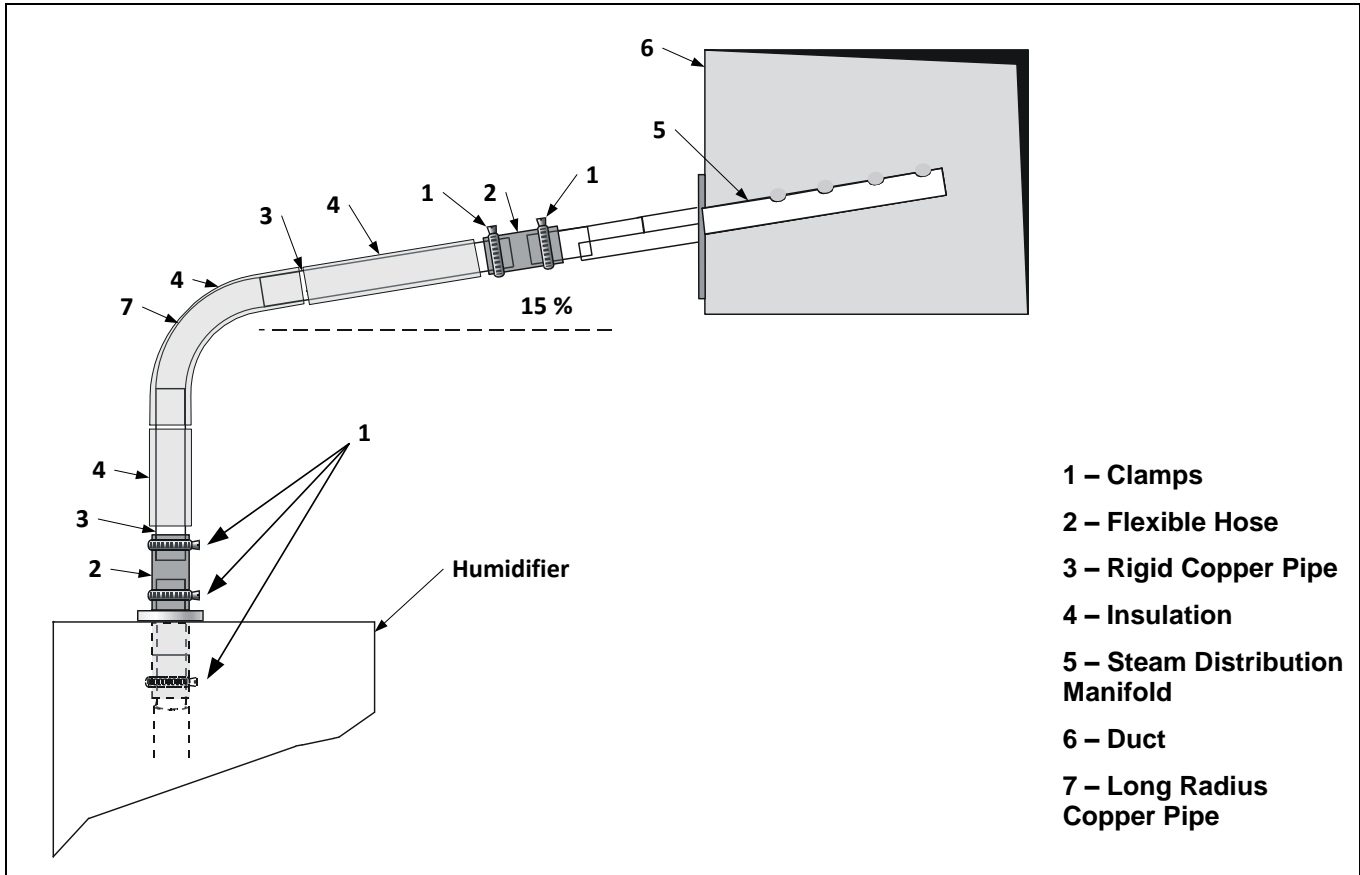


Illustration 23 - Steam Output Connections: Typical Installation

General Recommendations

Follow these general installation rules in order to avoid any restrictions inside the distribution pipes and the humidifier evaporation chamber, as well as condensation accumulation, which can lead to severe water accumulation in the duct or a humidifier malfunction.



CAUTION: Risk of malfunction. Avoid kinks, sags and areas where condensate can be trapped.

- Ensure that the slope of the steam hose (rigid or flexible) is not less than 15% (7 horizontal lengths for 1 vertical length), in order to ensure continuous drainage of condensation back to the humidifier or to a steam trap.
- Use flexible steam hoses for short runs (up to 16 feet or 5 m) or for interconnecting between the rigid pipe runs. Ensure that there are no kinks and that the hose does not sag when using flexible tubing. Do not use flexible hoses for curved portions of the steam line.
- Determine the total steam line for insulated hard piping based on the capacity of the humidifier, such as one equivalent foot for each lb/hr capacity of the humidifier (0.67 m for each kg/hr) with a maximum of 50 feet (15 m). Consult factory for longer steam line runs.
- If you are using a rigid copper pipe, use insulation to diminish condensate build-up.



S Trap Installation on the Steam Line

- The lowest point of any steam hose or rigid pipe must be the humidifier. If the humidifier cannot be the lowest point of the piping, install one or more steam traps (S Type) at the lowest point(s) of the steam supply piping. The steam separator (S trap) must be installed higher than the static pressure of the system by at least 2" (51 mm).

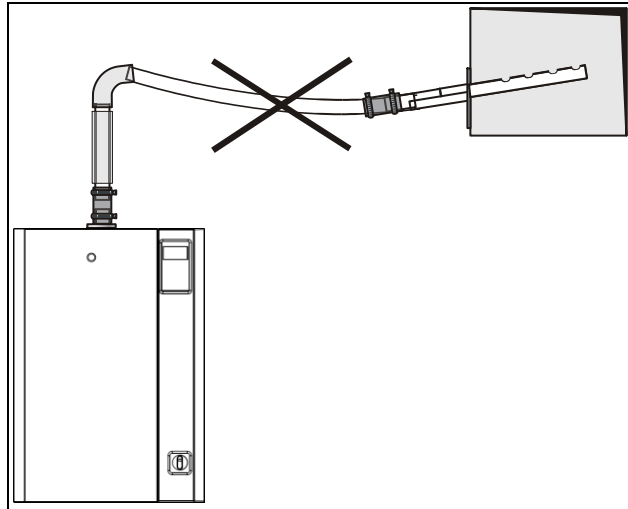


Illustration 24 - Steam Output Connection: Incorrect Installation

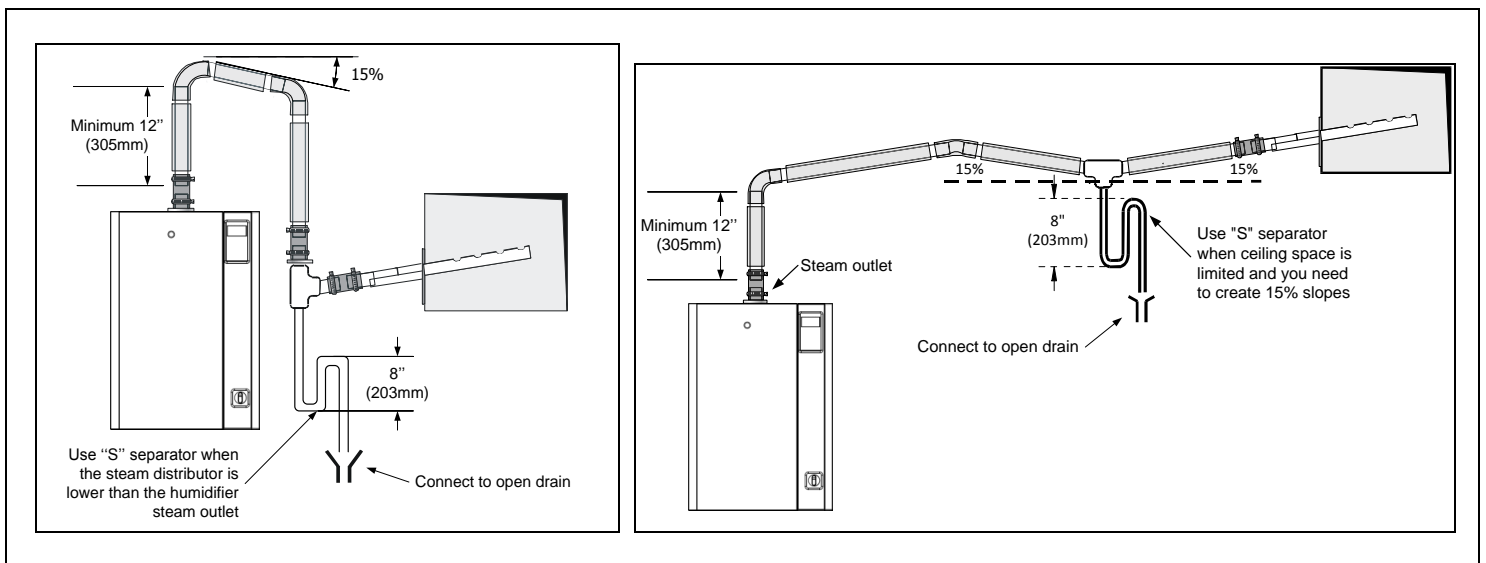
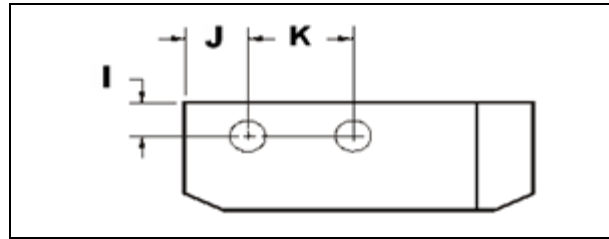
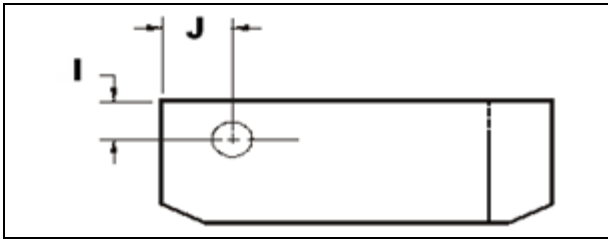


Illustration 25 - Steam Separator (S trap) Installation

Position of Steam Outputs

Table 7 - Position of Steam Outputs

| Model | I | J | K |
|--|-------------------|------------------|------------------|
| SKE4-N02 SKE4-N04 SKE4-N06 | 6 ¾" (171 mm) | 9 ⅛" (232 mm) | - |
| SKE4-N10 SKE4-N14 SKE4-N16 SKE4-N20 SKE4-N30 | 7 ½" (191 mm) | 12" (305 mm) | - |
| SKE4-N20 L SKE4-N40 SKE4-N50 SKE4-N60 | 7 ½" (191 mm) | 23" (584 mm) | - |
| SKE4-N30 X SKE4-N40 X SKE4-N70 | 10 ½" (267 mm) | 18" (457 mm) | - |
| SKE4-N80 SKE4-N90 | 10 ½" (267 mm) | 8 ¾" (222 mm) | 9.2" (234 mm) |





Remote Installation - Humidifier with SDU

The SDU can be installed in a different location than the humidifier (remote SDU). Follow the piping recommendations.

- Mount the SDU to the wall on brackets (supplied). Do not drill mounting holes through the cabinet of the SDU.
- Connect the steam hose to the bottom inlet of the SDU and to the humidifier steam outlet located on top of the cabinet.
- Secure the steam hose with the hose clamp (supplied).
- Connect the condensate hose to the bottom of the SDU and to an open drain or to the humidifier using the knockout hole located on the back of the cabinet.
- Connect the electrical wires from the SDU to the top of the humidifier. Field wiring must conform to local codes.
- The fan of the SDU will operate for a period of five minutes after steam production has stopped to prevent condensation.
- Avoid any obstruction of the ventilation openings on top of the SDU.

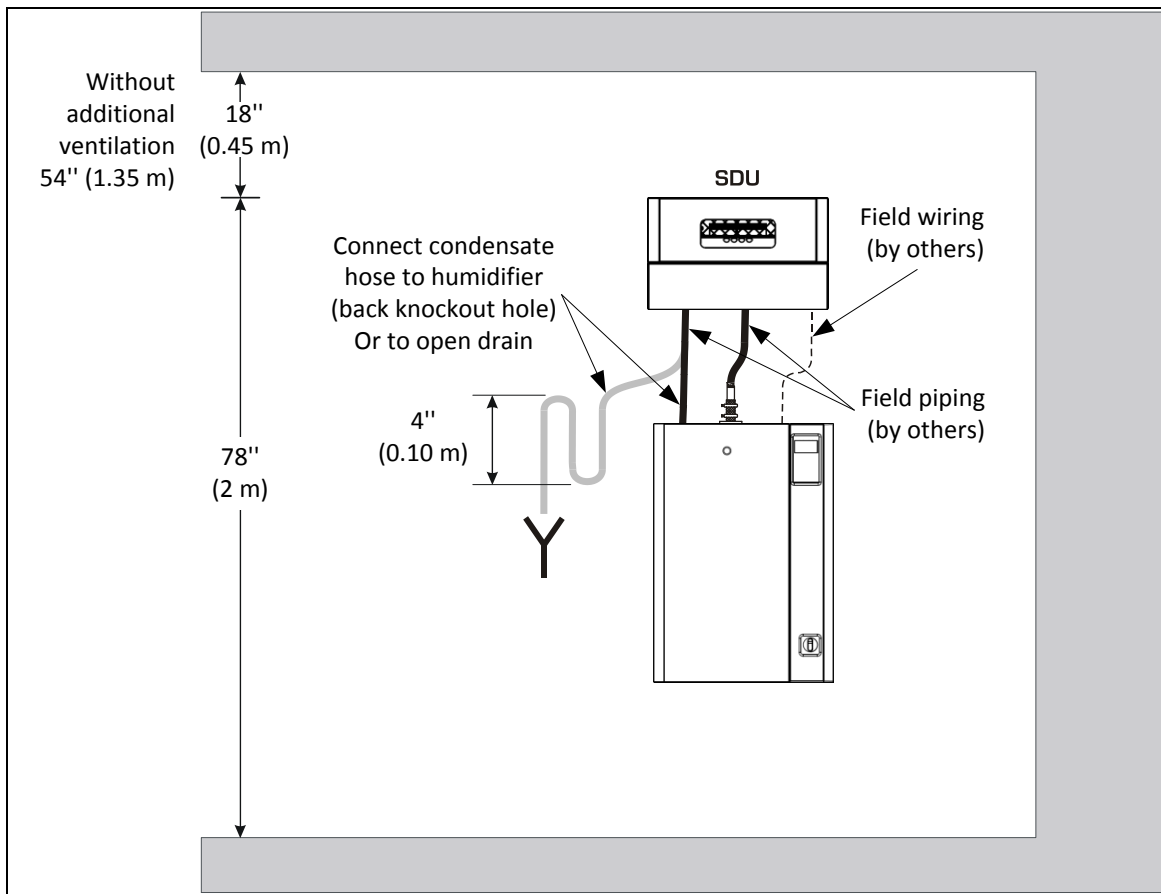


Illustration 26 - SDU Remote Installation



Wall Mounting the Remote SDU

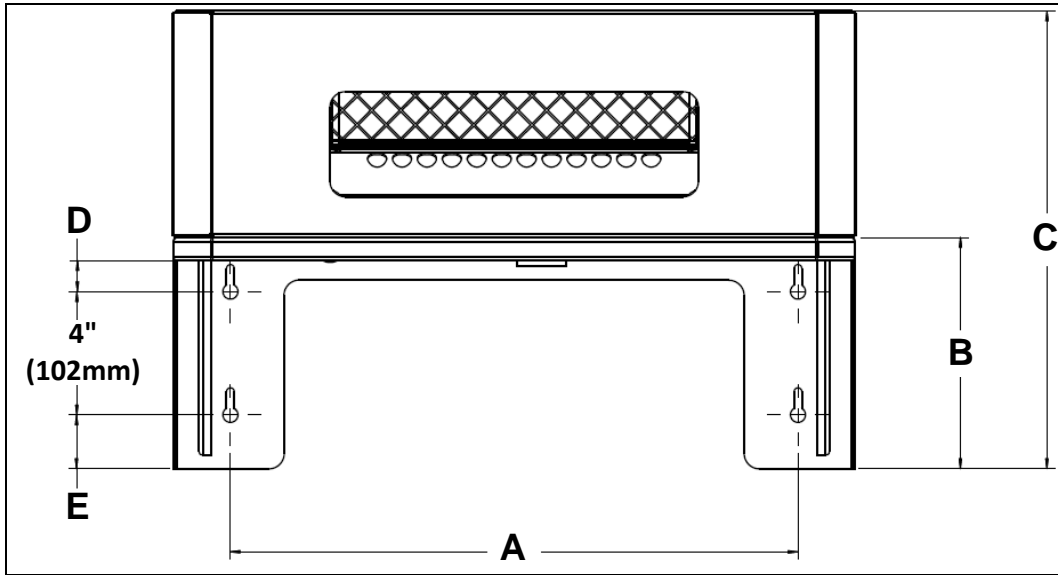


Illustration 27 - Remote SDU Mounting Bracket

Table 8 - Remote SDU Mounting Bracket Dimensions

| Model | SDU | Dimensions (inch) [mm] | | | | |
|----------------------------------|--------|------------------------|-----------|------------|--------|----------|
| | | A | B | C | D | E |
| SKE4-N02 SKE4-N04 SKE4-N06 | SDU4-1 | 16 [406] | 6 ¾ [171] | 13.7 [348] | ¾ [19] | 1 ⅛ [29] |
| SKE4-N10 SKE4-N14 SKE4-N16 | SDU4-2 | 18 ½ [470] | 7 ½ [191] | 14.9 [377] | 1 [25] | 1 ¾ [45] |
| SKE4-N20 SKE4-N30 | SDU4-3 | 18 ½ [470] | 7 ½ [191] | 18.9 [480] | 1 [25] | 1 ¾ [45] |

Plumbing Connections



Plumbing Installation must conform to Local and National Codes.
Any installation work must be carried out by suitably qualified personnel.

The SKE4 humidifier can operate with tap, reverse osmosis, deionised and de-mineralized water.

- For normal operation, pre-treatment of water is not necessary.
- For ultrapure deionised or reverse osmosis water (2-10 $\mu\text{S}/\text{cm}$), the ultrapure humidifier option must be used.
- The chloride concentration in the humidifier's evaporation chamber must remain below 10ppm (20ppm for ultrapure water).

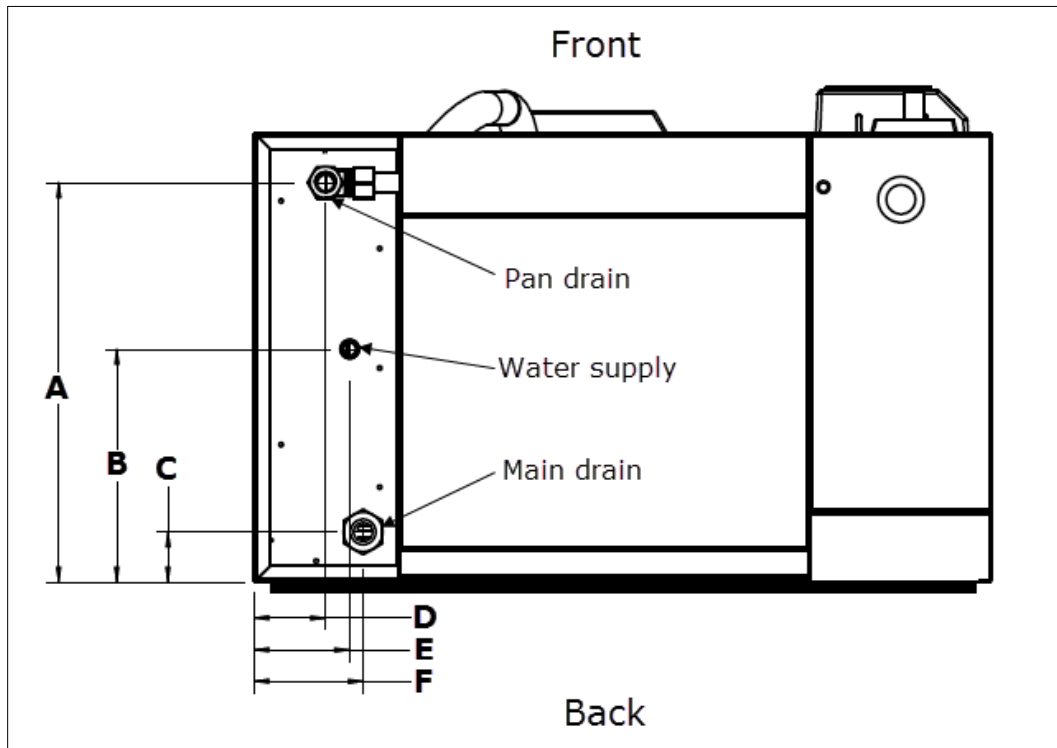


Illustration 28 - Plumbing Connections for Models SKE4-N02 to N60 (Bottom View)

Table 9 - Dimensions for Plumbing Connections (SKE4-N02 to N60)

| Model | Dimensions (inch) [mm] | | | | | |
|--|------------------------|---------|----------------------|--------|----------------------|----------------------|
| | A | B | C | D | E | F |
| SKE4-N02 SKE4-N04 SKE4-N06 | 10 $\frac{5}{8}$ [270] | 7 [178] | 1 $\frac{1}{2}$ [38] | 2 [51] | 2 $\frac{7}{8}$ [73] | 3 $\frac{1}{4}$ [83] |
| SKE4-N10 SKE4-N14 SKE4-N16 SKE4-N20 SKE4-N30 SKE4-N20 L SKE4-N40 SKE4-N50 SKE4-N60 | 12 [304] | 7 [178] | 1 $\frac{1}{2}$ [38] | 2 [51] | 2 $\frac{7}{8}$ [73] | 3 $\frac{1}{4}$ [83] |

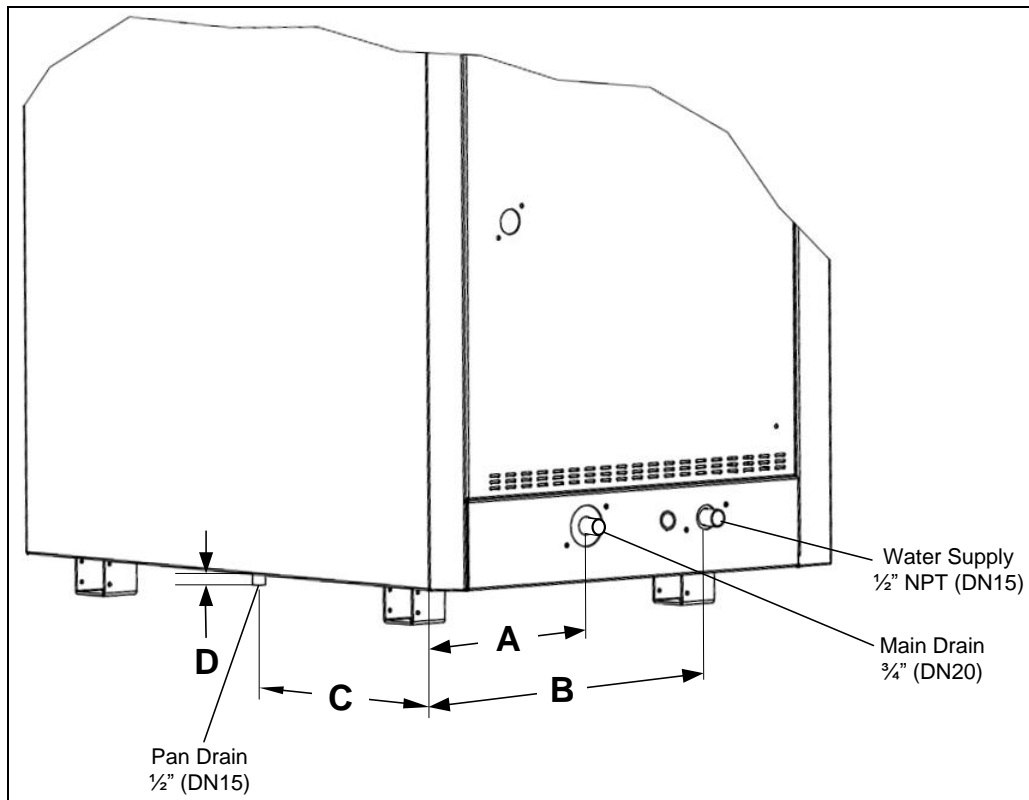


Illustration 29 - Plumbing Connections for Models SKE4-N30X to N90

Table 10 - Dimensions for Plumbing Connections (SKE4-N30X to N90)

| Model | Dimensions (inch) [mm] | | | |
|------------|------------------------|-----------------|-----------------|-------------|
| | A | B | C | D |
| SKE4-N30 X | 9 [229] | 16 5/8 [422] | 19 5/8 [498] | 1/2 [13] |
| SKE4-N40 X | | | | |
| SKE4-N70 | | | | |
| SKE4-N80 | | | | |
| SKE4-N90 | | | | |



Note: For models SKE4-N30 X to N90, the water supply inlet and main drain outlet are located on the right hand side of the humidifier by default. Left hand side or bottom placement (only with weather proof enclosure option) are available upon request.



Water Supply Connections

- Water Inlet Specifications:
 - Inlet water pressure: 10 to 70 psig (0.7 to 4.8 bars)
 - Maximum temperature: 86°F (30°C)
 - ½" (DN15) standard copper water line connection or ¾" (DN20) PEX pipe line
- Water Supply Line Installation:
 1. Connect a ½" (DN15) water supply braided hose (by others) to the bottom of the ½" (DN15) NPT fitting (supplied).
 2. Connect the top of the ½" (DN15) NPT fitting to the male threaded part of the pipe.
- In order to facilitate servicing, install a shutoff valve (not supplied) in the water supply line close to the humidifier.
- It is recommended to install a standard water strainer in the water supply line.
- It is recommended to install a water hammer arrestor, in order to absorb hydraulic shock and minimize water hammer when the fill valve closes.

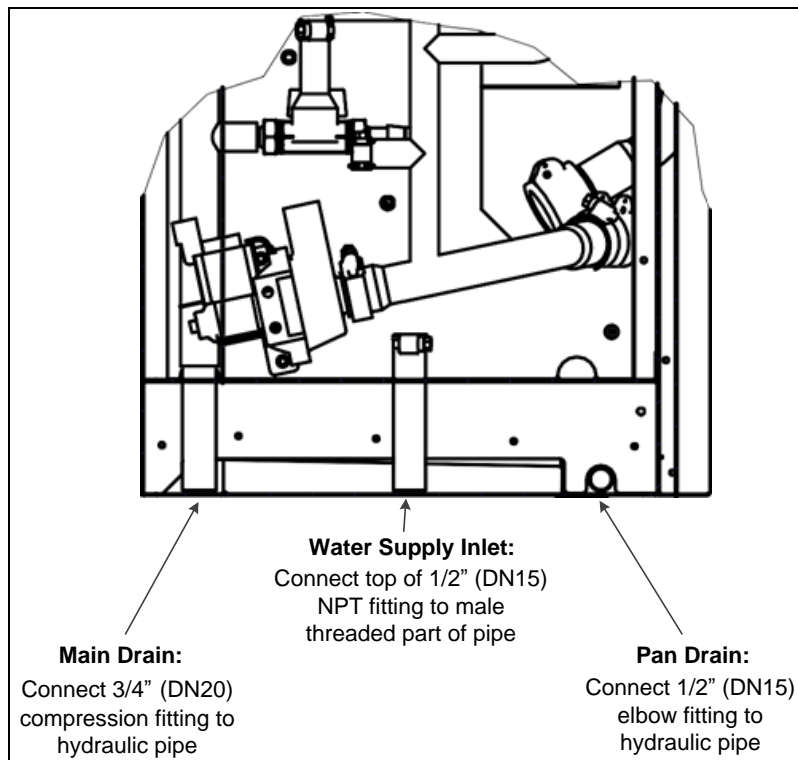


Illustration 30 - Water Supply and Drain Connections



Water Drain Connections

- Water Drain Specifications:
 - Evaporation chamber water drain temperature: 140°F (60°C).
 - Standard hydraulic fittings (supplied): a $\frac{3}{4}$ " (DN20) female compression fitting for the evaporation chamber drain and a $\frac{1}{2}$ " (DN15) female elbow fitting for the pan drain.
- 2 hydraulic pipes (not supplied) must be placed underneath the humidifier and connected to the drain pipes (see Illustration 30 - Water Supply and Drain Connections).
- Use $\frac{3}{4}$ " (DN20) and $\frac{1}{2}$ " (DN15) standard copper hydraulic pipes.
- Ensure that the drain pipe dimension is sufficient, especially if more than one humidifier is evacuating into the same drain line.
- The minimum drain pipe gradient must be of $\frac{1}{4}$ " (6.5mm) per foot (300mm).
- The humidifier drain pipes do not require a drain trap and must be piped to an open drain.
- The main drain pipe must have a minimum diameter of 1-1/2" (DN40).

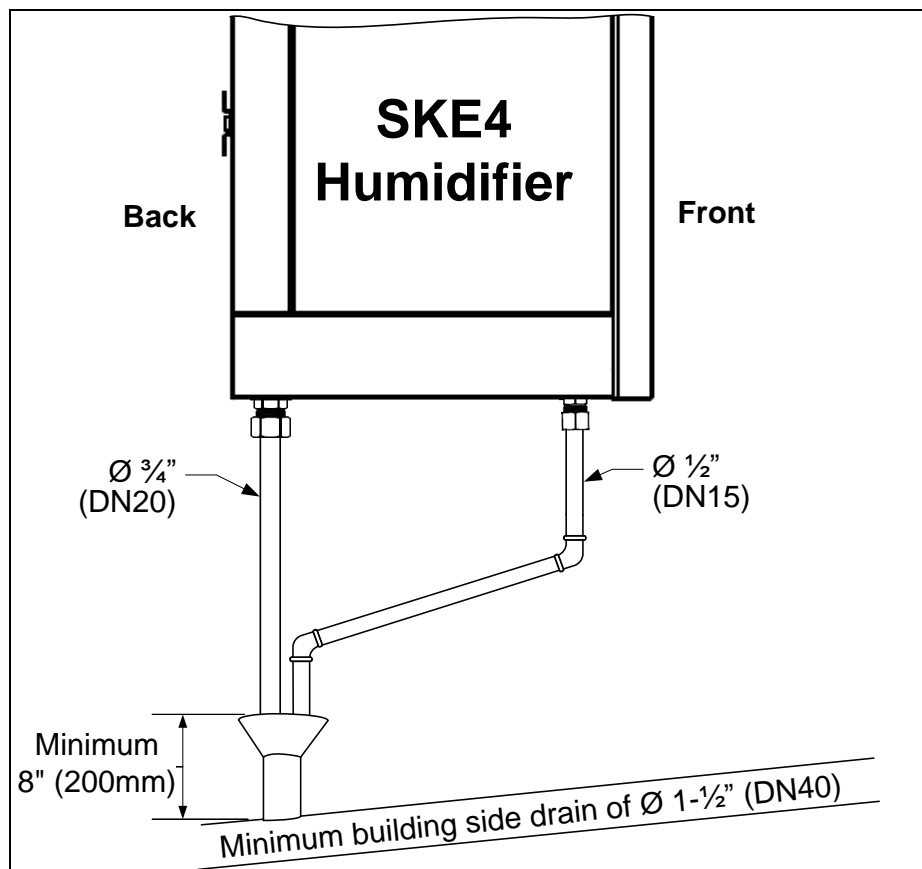


Illustration 31 - Plumbing Connection to Open Drain



Weather Proof Enclosure Plumbing Connection

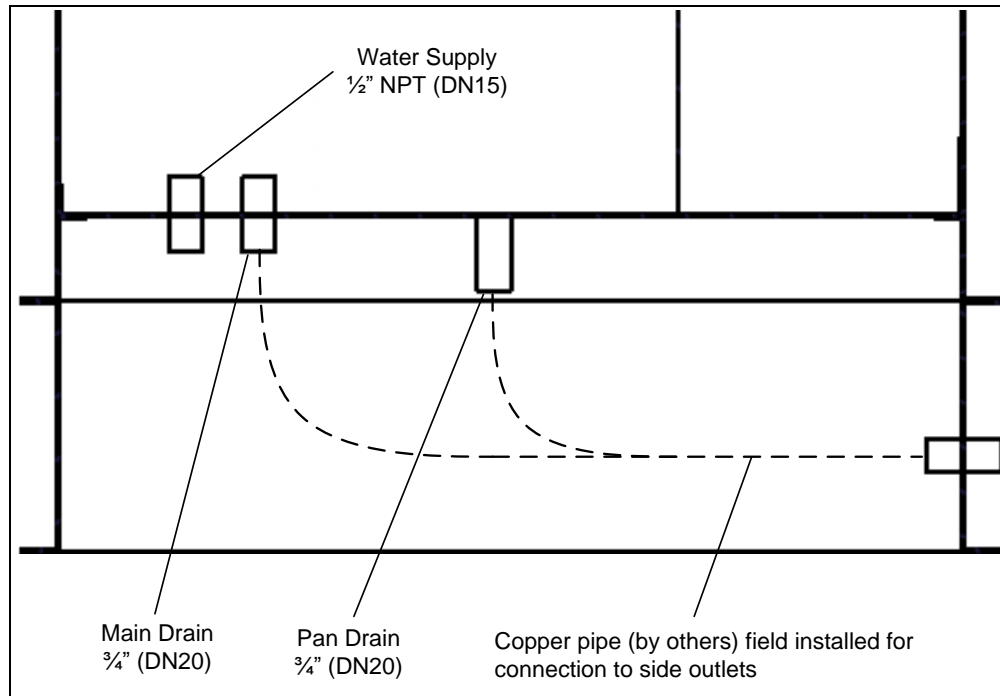


Illustration 32 - Weather Proof Enclosure Plumbing: Front View

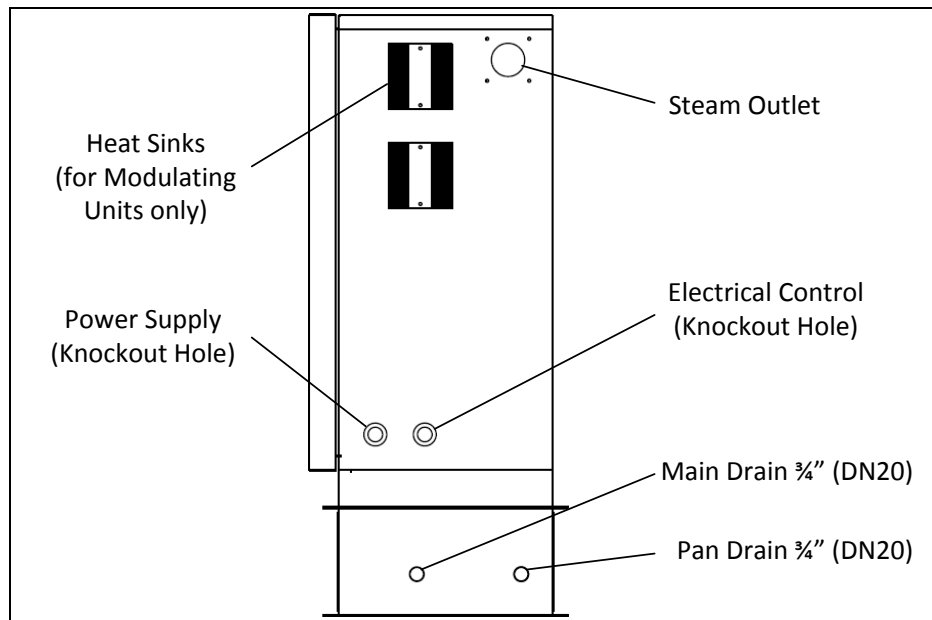


Illustration 33 - Weather Proof Enclosure Plumbing: Side View

Water Drain Valve

The weather proof enclosure is equipped with a normally open valve, enabling the humidifier to drain all water during a power failure, in order to prevent water from freezing within the unit. During normal operation, the humidifier reduces drain water temperature to 140°F (60°C).



CAUTION: During a power failure, the drain water temperature is not reduced. Installed drain piping must be rated to 212°F (100°C).



Electrical Connections



CAUTION: Risk of electric shock. Disconnect the humidifier from the electric supply before proceeding with the connection.



WARNING: Risk of fire. Do not interchange the power terminal block designated L1, L2 and L3 with low voltage terminal block designated 1, 2 and 3.

- The wiring to the humidifier must be done by a qualified electrician and must conform to the procedure, regulation and local codes.
- Use copper conductors only.
- The humidifier is equipped with a built-in disconnect switch, to turn off the power without opening any access doors.
- An external over current protection must be installed on the supply, adjacent to the humidifier. It is also recommended to install a circuit breaker.
- To provide strain relief to the supply cable, install a knock-out (not supplied) at the bottom of the electrical compartment of the humidifier.
- Ensure that the size of the wire conductors is appropriate for the current supplied.
- Ensure that each terminal connection is properly secured.
- Ensure that the ground conductor is equipped with a ring terminal and is connected directly to the electrical panel.

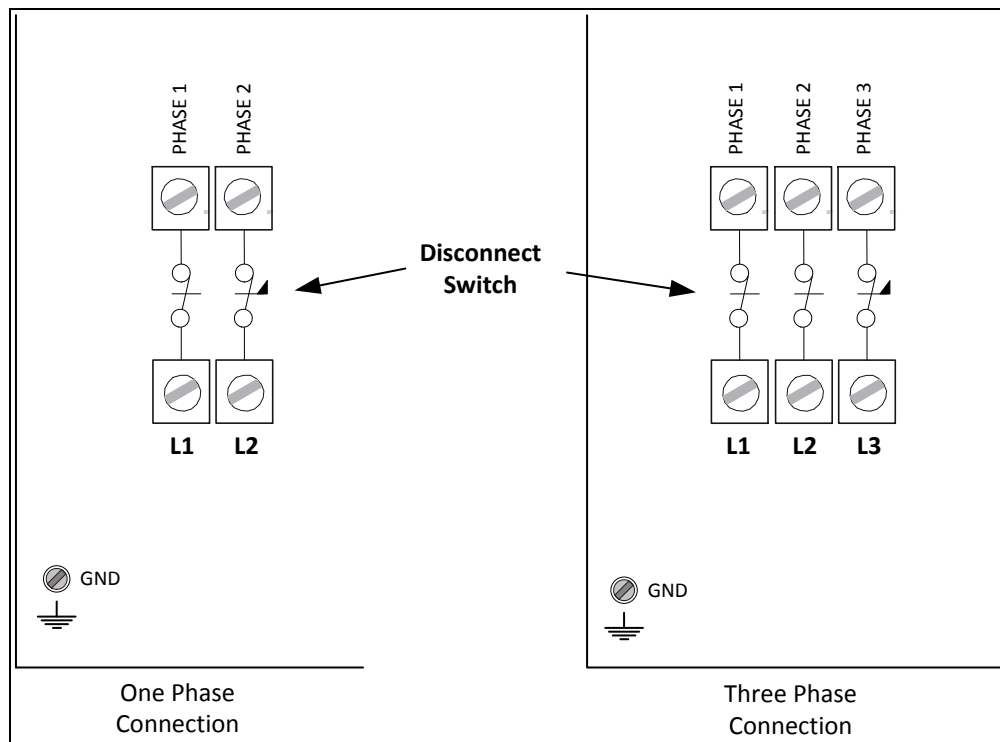


Illustration 34 - One and Three Phase Power Connections



Low Voltage Control Connections

Printed Circuit Board

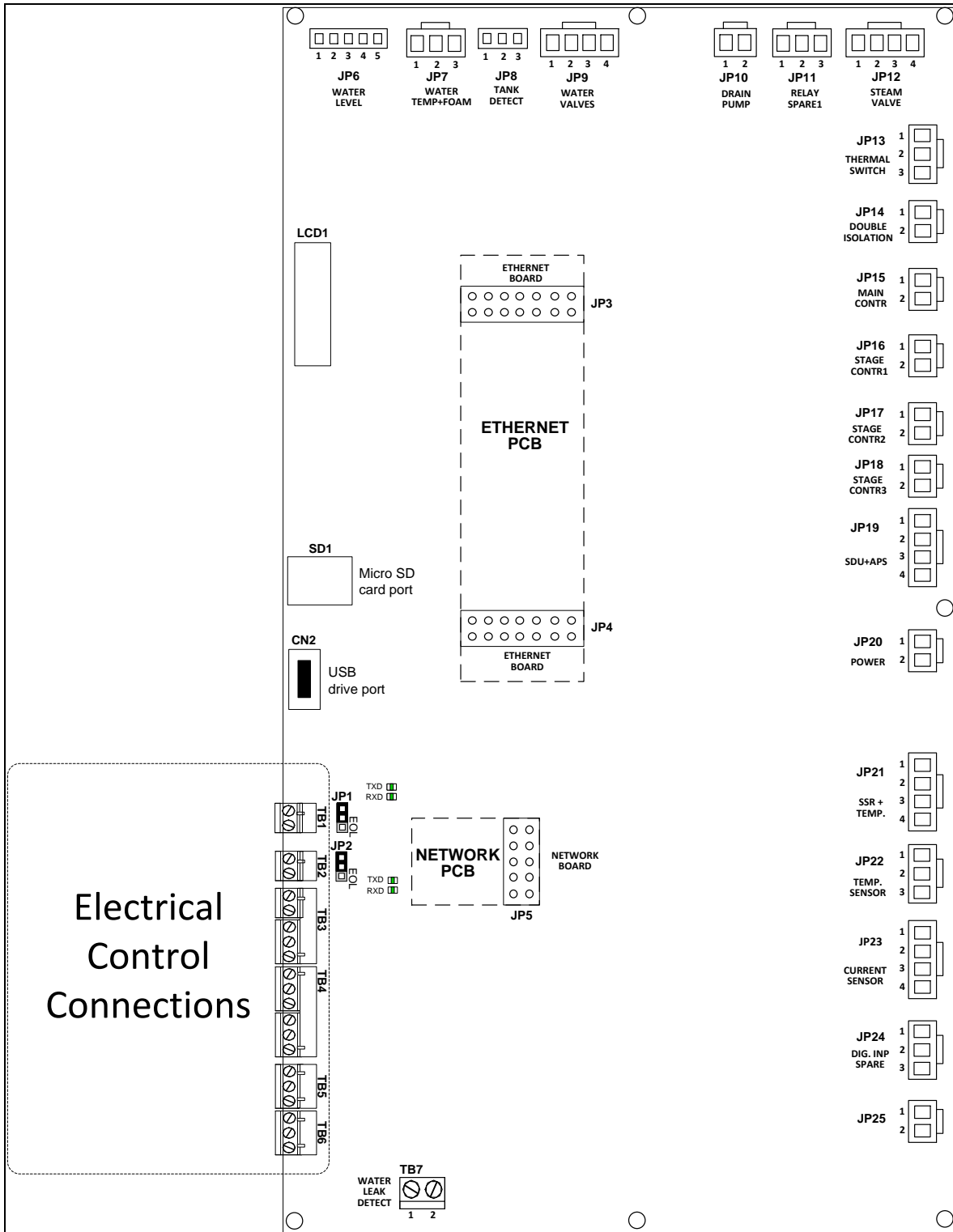


Illustration 35 - Printed Circuit Board Interface

The Printed Circuit Board (PCB) of the SKE4 Steam Humidifier is equipped with an advanced microprocessor, which controls all of the functions of the humidifier. All electrical control connections have been grouped alongside the bottom left corner of the PCB.

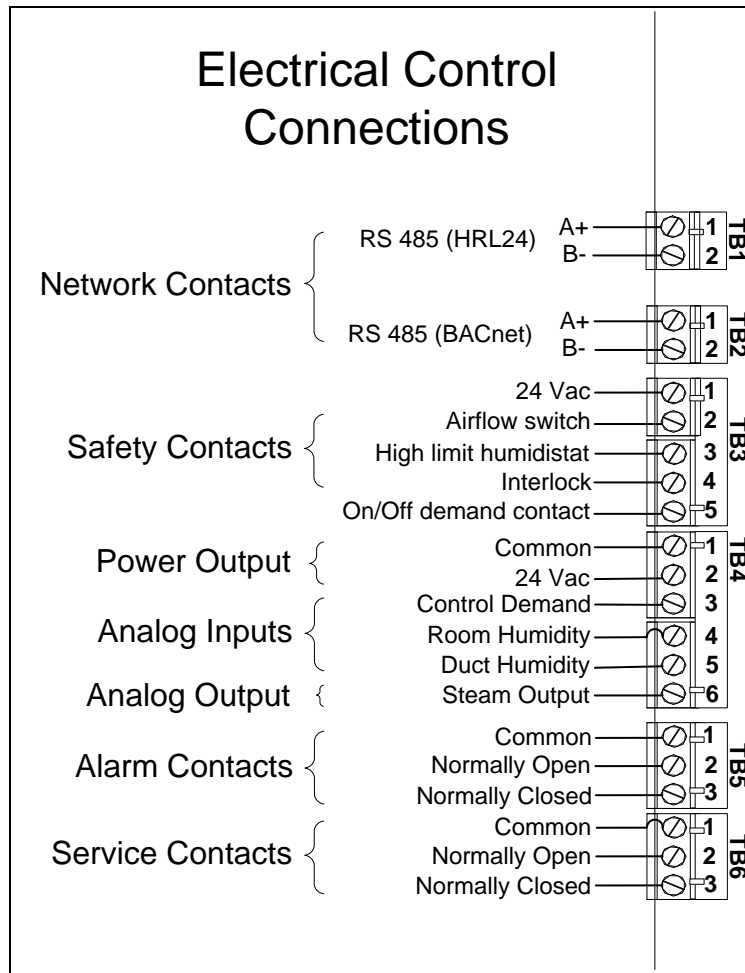


Illustration 36 - Electrical Control Connections

Safety Contact Connections

The **Airflow switch** contact must be wired between terminals TB3 1&2. If this contact opens, operation of the SKE4 unit will stop. The unit will display the airflow switch as open, but will not generate an alarm. If an airflow switch is not used, install a jumper between terminals TB3 1&2.

The **High limit humidistat** contact must be wired between terminals TB3 1&3. If this contact opens, operation of the SKE4 unit will stop and an **alarm** message will be displayed. If a high limit humidistat is not used, install a jumper between terminals TB3 1&3.

The **Interlock** must be wired between terminals TB3 1&4. If this contact opens, operation of the SKE4 unit will stop. The unit will display the Interlock as open, but will not generate an alarm. If Interlock is not used, install a jumper between terminals TB3 1&4.

Dry Contacts

Two series of volt free contacts are provided:

1. Alarm Contacts
2. Service Contacts

- These contacts are used to switch a low voltage, ideally 24V, with a switching current of no more than 3 Amps.
- Each series has one Normally Closed contact and one Normally Open contact.
- It is recommended to use the Normally Closed contact, as this contact will open in the event of a humidifier fault.

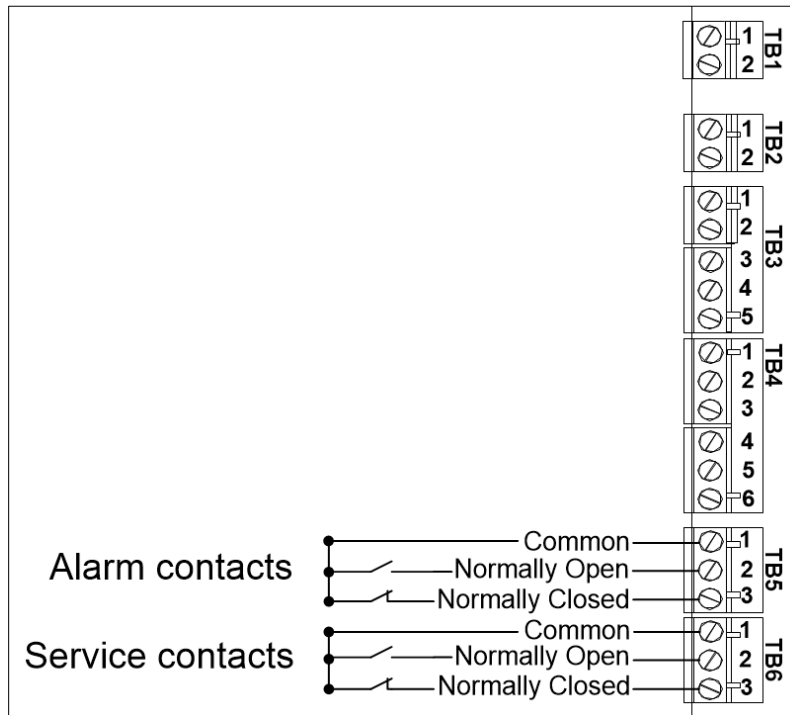


Illustration 37 - Alarm and Service Contact Wiring

ON/OFF Humidifier

For operation of On/Off humidifiers, connect the On/Off demand contact between TB3 1&5. If this contact opens, the SKE4 unit will turn off. If this contact closes, the SKE4 unit will operate.

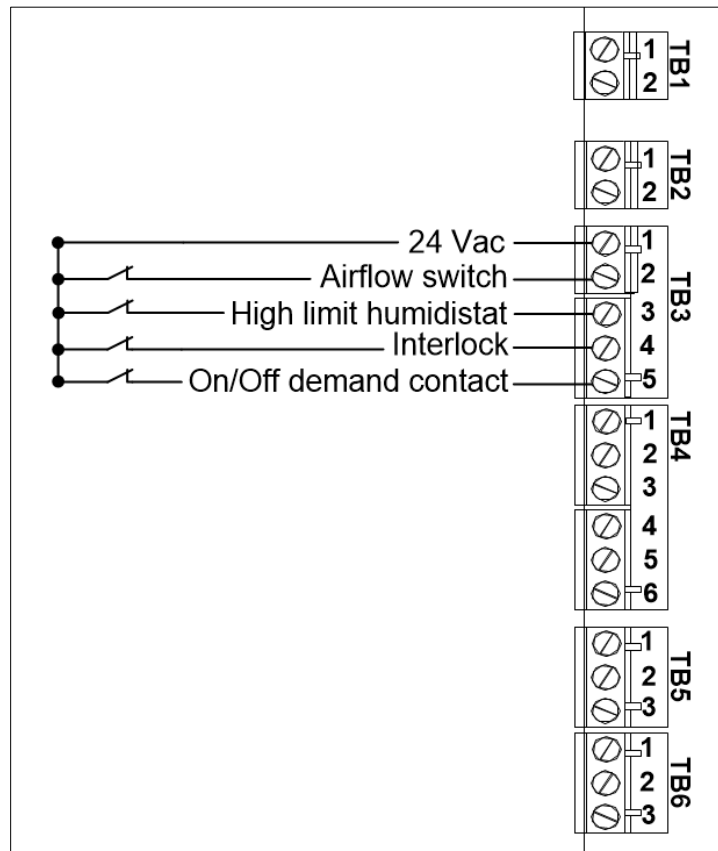


Illustration 38 - On/Off Humidifier Typical Wiring

Modulating Humidifier

Analog Signals

For operation of modulating humidifiers, the analog signal(s) must be connected between terminals TB4 1 and TB4 3, 4 and/or 5. To configure the source of the signal(s), access the *Control* sub-menu located in the *Installation* menu (see page 47).

Humidity Control by Humidistat (External Mode)

Humidity controlled externally, using HRO20 humidistat:

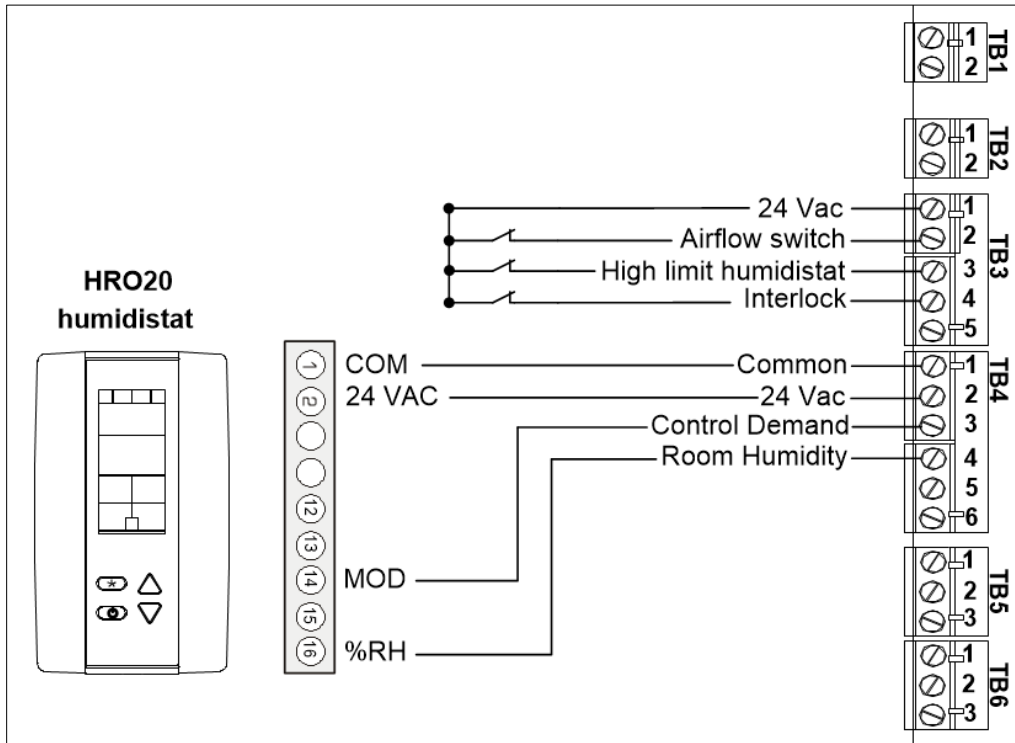


Illustration 39 - Control Signal from HRO20 Humidistat

Humidity controlled externally, using HRO20 humidistat with SHR10 or SHC80 as space sensor:

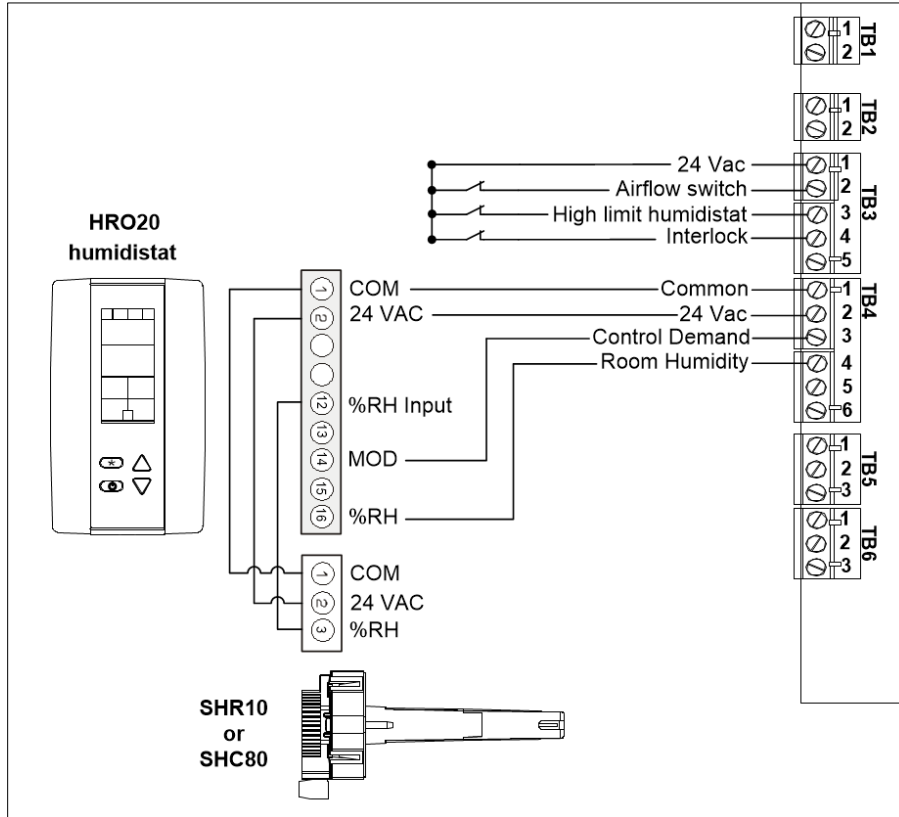


Illustration 40 - Control Signal from HRO20 Humidistat with Remote Humidity Sensor (SHR10 or SHC80)

Humidity Control by Humidifier (Internal Mode)

Humidity controlled internally, using SHR10 or SHC80 as space sensor:

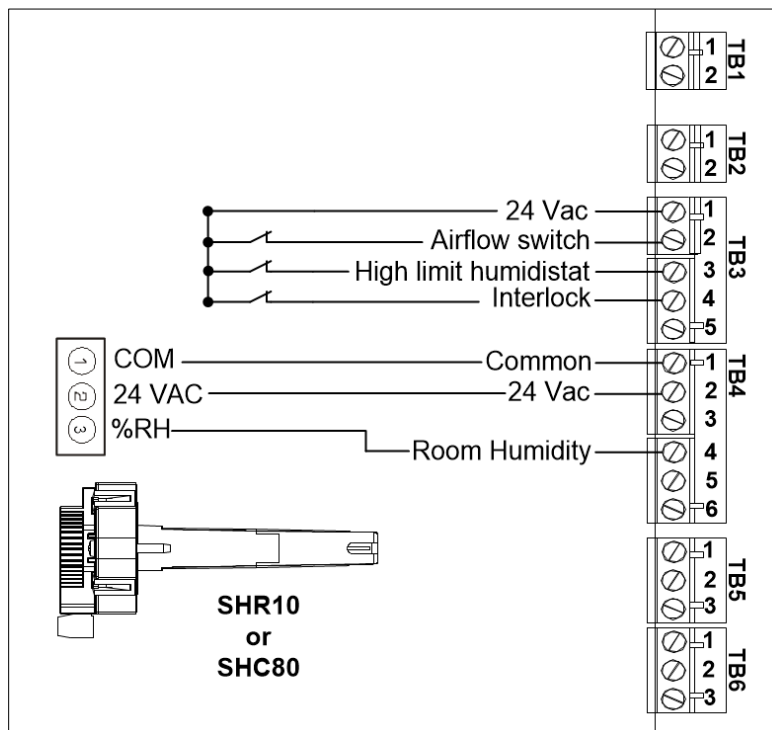


Illustration 41 - Humidity Signal from Remote Humidity Sensor (SHR10 or SHC80)

Network Communication

If the control signal is from a BACnet network, connect terminals TB2 1&2 to the network (RS485 A+ & B-).

If the control signal is from a HRL24, connect terminals TB1 1&2 to the network (RS485 A+ & B-).

The network control signal(s) must be selected by accessing the *Control* sub-menu located in the *Installation* menu (see page 47). To setup the communication parameters, access the *Integration* menu (see page 49).

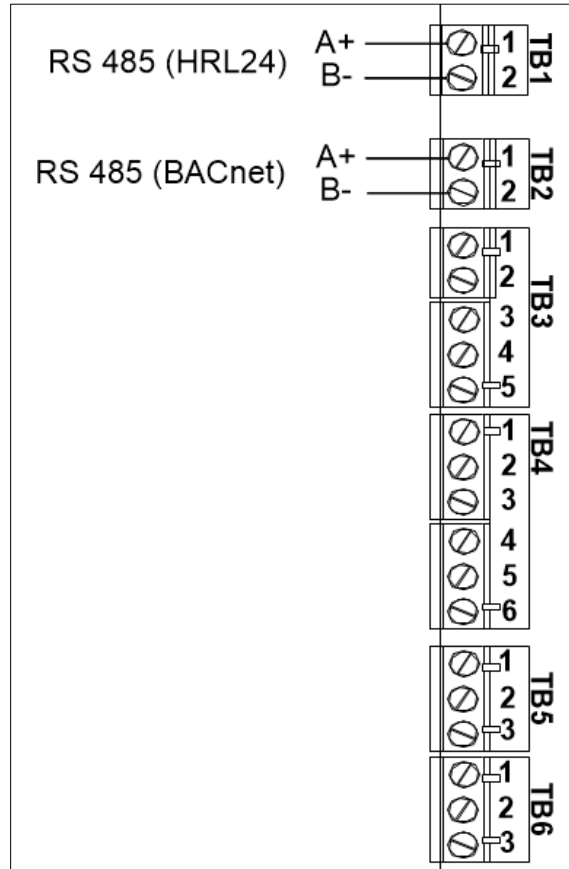


Illustration 42 - Network Communication Connections

Controls Placement (Steam Dispersed into a Duct or AHU)

A typical humidifier control system includes the following along with the humidifier:

- A wall or return duct humidistat
- A high limit duct humidistat
- An airflow switch

Placement of these devices is critical to the proper operation of the overall system.

- The return air humidistat must always be located in the return air duct, in order to ensure accurate sensing of the air from the humidified space.
- Alternatively, a room humidistat can be used. The room humidistat must be located on an inside wall or column. It must not be near any discharge air from supply ducts or sources of heat or cold.
- The airflow switch must be placed in a position capable of accurately opening on a loss of air flow, in order to prevent the humidifier from running when there is no air to absorb humidity.
- The high limit humidistat must be positioned far enough, minimum 15 ft (4.6 m), downstream of the steam dispersion manifold(s) to prevent over humidification of the duct that could result in condensation.

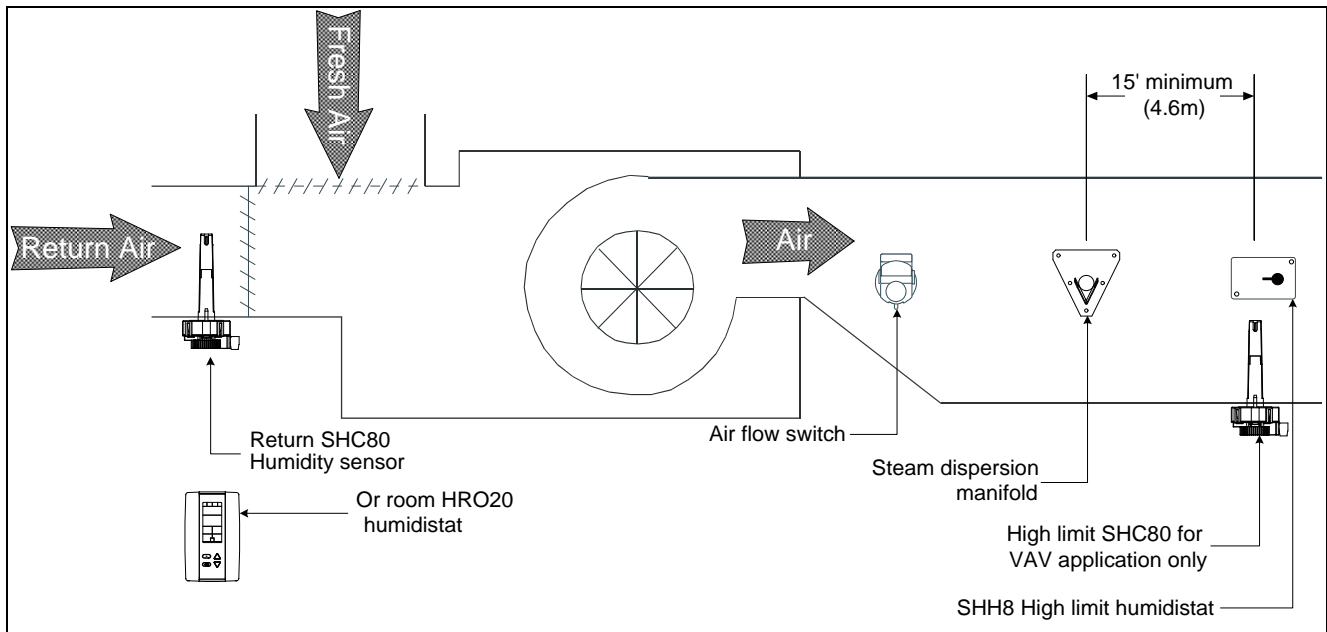


Illustration 43 - Controls Placement (Steam Dispersed into a Duct or AHU)

Controller Configuration

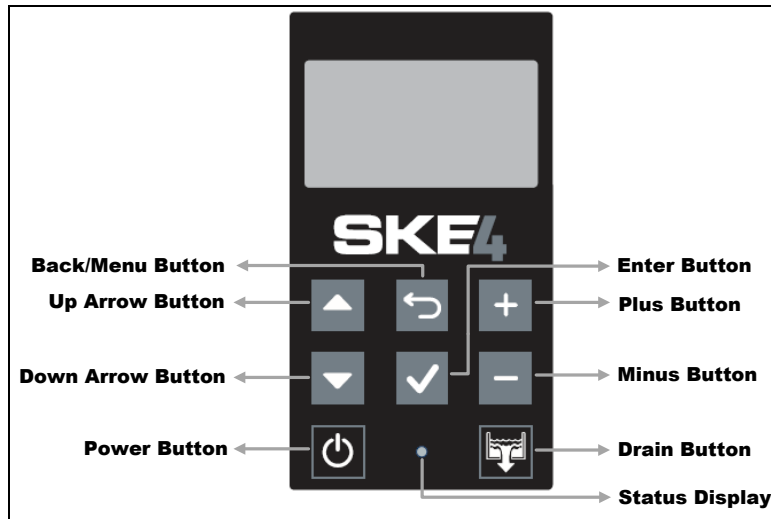









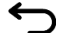



Illustration 44 - SKE4 Controller

Control Panel Features

The following are the features of the Control Panel and their description:

Table 11 - Humidifier Control Panel Description

| Feature | | Description |
|---------------------------|---|--|
| Status Display |  (Blue) | Indicates that the humidifier is turned on. The LED will begin blinking as the system is initializing. |
| |  (Red) | Indicates that the alarm is issuing a warning and that the system must be verified. |
| |  (Off) | Indicates that the humidifier is turned off. |
| Power Button |  | The power button is used to turn the humidifier on or off. Must be pressed and held for 3 seconds to perform the related action, in order to prevent accidental activation. Even when the humidifier is powered off, the controller remains operational. |
| Drain Button |  | The drain button is used to manually activate the drain cycle. Must be pressed and held for 3 seconds to perform the related action, in order to prevent accidental activation. Even when the humidifier is powered off, a drain cycle may be initiated. <i>Once the manual drain cycle is completed, the system will automatically be powered off. To turn the humidifier back on, press and hold the power button.</i> |
| Up and Down Arrow Buttons |  | The up arrow button is used to scroll to the next menu item or parameter. |
| |  | The down arrow button is used to scroll to the previous menu item or parameter. |
| Plus and Minus Buttons |  | The plus button is used to increase the value of the displayed parameter. |
| |  | The minus button is used to decrease the value of the displayed parameter. |
| Back/Menu Button |  | The back/menu button is used to go to previous menu or to access the Main Menu page from the Idle Screen. |
| Enter Button |  | The enter button is used to advance to the next sub-menu, to access the selected option or to confirm set parameter value. |

Idle Screen

When the controller is in operation, the unit displays the following information on the Idle Screen:

Table 12 - Idle Screen Display Description

| Setting | Default | Range (* indicates no configuration; display only) | Description/Notes |
|---------------|---------------|---|--|
| HumDemand: | Current value | * (min: 0.00%, max: 100.00%) | Displays the current humidity demand value. |
| ControlState: | Current value | * (Off, Normal, LowLimit, HighLimit, NoAirFlow, Interlock) | Displays the current state of the safety control circuit and whether the circuit has been disconnected due to a safety switch. |
| PowerOutput: | Current value | * (min: 0.00%, max: 100.00%) | Displays the measured power output of the system as a percentage of the total power. |
| State: | Current value | * (Off, Idle, LineRinse, TankRinse, Filling, Draining, Heating, Boiling, Alarm) | Displays the current state of operation of the humidifier. |

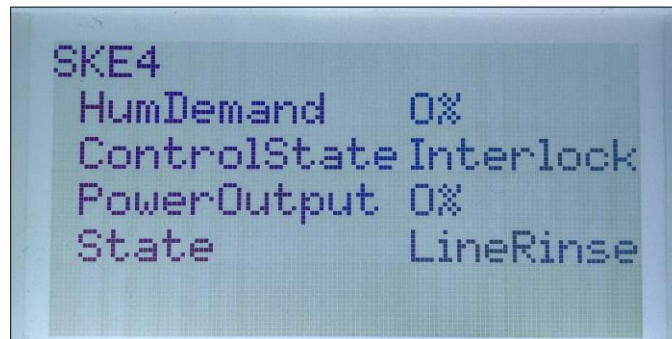


Illustration 45 - Idle Screen Display

Menu Access

- From the Idle Screen, the Main Menu can be accessed by pressing the Back/Menu button ↵, enabling access to the General menu.
- To view other menu options and perform configurations to the system, press Enter ✓ while on the Idle Screen to advance to the Login Screen, where a valid password must be entered.
- Four different passwords can be used, each granting access to an additional menu option depending on the access level assigned to the provided password.
- If a password of higher access is provided, all menu options accessible with the use of a lower level password will also be unlocked.

Table 13 - Access Levels

| Access Level | Password | Menu Unlocked | Description/Notes |
|--------------|----------|---------------|--|
| 1 | None | General | Grants access to General menu. |
| 2 | 2222 | User | Grants access to General and User menus. |
| 3 | 3322 | Service | Grants access to General, User and Service menus. |
| 4 | 4433 | Installation | Grants access to General, User, Service and Installation menus. |
| 5 | 5544 | Integration | Grants access to General, User, Service, Installation and Integration menus. |

Note: To modify or retrieve lost passwords, please contact factory.



- A. After accessing the Login Screen, use the + or - buttons to increase or decrease the value of the number that is highlighted.
- B. Use the ▲, ▼ buttons to scroll to the next or previous number.
- C. Press Enter ✓ to confirm the password once completed. If you enter the wrong password, the SKE4 controller displays a "Login Failed" message.
- D. The Back/Menu button ↵ may also be used to return to the Idle Screen display.



Illustration 46 - Login Screen

Menu Navigation and Configuration

- A. Use the ▲, ▼ buttons to select the desired menu category and press Enter ✓ to advance to the next sub-menu.
- B. Use the + and - buttons to increase and decrease values. Use the ▲, ▼ buttons to scroll to the next or previous parameter. Values are saved as soon as a change is made.
- C. Press the Back/Menu button ↵ to go back one menu. The current menu location is displayed at the top of the screen.
- D. To exit completely, press the Back/Menu button ↵ until you return to the Idle Screen. After 5 minutes of inactivity, the controller will automatically return to the Idle Screen.

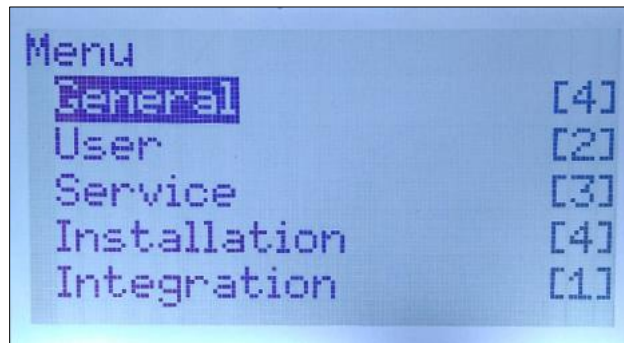


Illustration 47 - Main Menu Page

Note: Available settings and range selections may vary depending on current configuration. The tables in the following sections display all the possible selections. The Description/Notes column indicates the conditions required for the associated setting to appear.

Menu - General [Level 1 - No password required]

Press the back/menu button from the Idle Screen to access the General menu.

| Sub-Menu | Setting | Default | Range (* indicates no configuration; display only) | Description/Notes |
|--------------------|----------------------|----------------------|---|---|
| Status | AirFlow: | Closed | * (Closed, Open) | Displays the status of the airflow switch. If <i>Open</i> is displayed, it indicates that the airflow is not detected by the air pressure switch. |
| | SupplyHighLimit: | Closed | * (Closed, Open) | Displays the status of the high limit contact. If <i>Open</i> is displayed, it indicates that the humidity level has exceeded the setpoint on the high limit humidistat. |
| | Interlock: | Closed | * (Closed, Open) | Displays the status of the interlock. If <i>Open</i> is displayed, it indicates that the humidifier is stopped as a result of the interlock safety being open. |
| | OccupancyState: | <i>Current value</i> | * (Occupied, Unoccupied, Vacant, Off) | Displays the current occupancy state. (Only appears if <i>ControlProfile</i> is set to an internal control mode or <i>HumCntrlDemandSrc</i> is set to <i>RoomDemand</i>.) |
| | BoilerDemand: | <i>Current value</i> | * (min: 0.00%, max: 100.00%) | Displays the measured humidity demand of the humidifier. |
| | PowerOutput: | <i>Current value</i> | * (min: 0.00%, max: 100.00%) | Displays the measured power output of the system as a percentage of the total power. |
| | ServiceDue: | Off | * (Off, On) | Displays whether the humidifier is due for servicing. |
| | State: | <i>Current value</i> | * (Off, Idle, LineRinse, TankRinse, Filling, Draining, Heating, Boiling, Alarm) | Displays the current state of operation of the humidifier. |
| Control | RoomDemand: | <i>Current value</i> | * (min: 0.00%, max: 100.00%) | Displays the room humidity demand value. (Only appears if <i>ControlProfile</i> is set to an internal control mode or <i>HumCntrlDemandSrc</i> is set to <i>RoomDemand</i>.) |
| | SupplyHLDemand: | <i>Current value</i> | * (min: 0.00%, max: 100.00%) | Displays the supply high limit humidity demand value. (Only appears if <i>ModHLProfile</i> is set to an internal control mode or <i>HumCntrlHLSrc</i> is set to <i>SupplyHLDemand</i>.) |
| | HumDemand: | <i>Current value</i> | * (min: 0.00%, max: 100.00%) | Displays the current humidity demand value. |
| | ControlState: | <i>Current value</i> | * (Off, Normal, LowLimit, HighLimit, NoAirFlow, Interlock) | Displays the current state of the safety control circuit and whether the circuit has been disconnected due to a safety switch. |
| Physical IO | AirFlow: | Closed | * (Closed, Open) | Displays the status of the airflow switch. If <i>Open</i> is displayed, it indicates that the airflow is not detected by the air pressure switch. |
| | SupplyHighLimit: | Closed | * (Closed, Open) | Displays the status of the high limit contact. If <i>Open</i> is displayed, it indicates that the humidity level has exceeded the setpoint on the high limit humidistat. |
| | Interlock: | Closed | * (Closed, Open) | Displays the status of the interlock. If <i>Open</i> is displayed, it indicates that the humidifier is stopped as a result of the interlock safety being open. |
| | BinExtDemand: | 0% | * (0%, 100%) | Displays whether there is currently a humidity demand, when an On/Off humidifier is used. (Only appears when using an On/Off humidifier.) |
| | ControllInput: | <i>Current value</i> | * (min: 0.00%, max: 100.00%) | Displays the current control input reading. |
| | RoomRH: | <i>Current value</i> | * (min: 0.00%, max: 100.00%) | Displays the room humidity reading value. (Only appears if <i>ControlProfile</i> is set to <i>InternAnalog</i> or <i>RoomRHSrc</i> is set to <i>RoomRH</i>.) |
| | SupplyHLRH: | <i>Current value</i> | * (min: 0.00%, max: 100.00%) | Displays the supply high limit humidity reading value. (Only appears if <i>ModHLProfile</i> is set to <i>InternAnalog</i> or <i>SupplyHLReadingSrc</i> is set to <i>SupplyHLRH</i>.) |
| | WtrLeakDet: | Ok | * (Ok, Leak) | Displays whether a water leak has been detected. If <i>Leak</i> is displayed, it indicates that there is a leak within the water line. |
| | WtrLvlLow: | <i>Current value</i> | * (Inactive, Active) | Displays the status of the resistive low water level sensor. |
| WtrLvlHigh: | <i>Current value</i> | * (Inactive, Active) | Displays the status of the resistive high water level sensor. | |

| Sub-Menu | Setting | Default | Range (* indicates no configuration; display only) | Description/Notes |
|--------------------|-------------------|----------------------------|--|---|
| Physical IO | WaterTemp: | Current value | * (min: 32.00°F, max: 257.00°F) * [min: 0.0°C, max: 125.0°C] Units: C, F | Displays the temperature of water in the evaporation chamber. |
| | FoamSensor: | NoFoam | * (NoFoam, Foam) | Displays whether foam has been detected within the evaporation chamber. If <i>Foam</i> is displayed, it indicates that the Anti-Foaming Energy Conservation (AFEC) system has detected foam. The humidifier will drain for a few minutes and return to normal operation. |
| | ThermalCutout: | Closed | * (Closed, Open) | Displays the status of the high temperature switch. If <i>Open</i> is displayed, it indicates that an abnormal temperature has been sensed. |
| | SSRTemp: | Current value | * (min: -4.00°F, max: 212.00°F) * [min: -20.0°C, max: 100.0°C] Units: C, F | Displays the temperature measured on the solid-state relay. |
| | ContactorsFuse: | Normal | * (Normal, Blown Fuse) | Displays the current status of the PCB fuse. If <i>Blown Fuse</i> is displayed, the fuse must be replaced. |
| | PowerOutFdbck: | Current value | * (min: 0.00%, max: 100.00%) | Displays the feedback value of power output analog output. |
| | AlarmWarnRelay: | Current value | * (Off, On) | Displays the status of the alarm warning relay. |
| | ServiceWarnRelay: | Current value | * (Off, On) | Displays the status of the service warning relay. |
| | WtrLvlValve: | Current value | * (Off, On) | Displays the status of the water level sensor supply valve. |
| | TankWtrValve: | Current value | * (Off, On) | Displays the status of the evaporation chamber water supply valve. |
| | DrainCoolValve: | Current value | * (Off, On) | Displays the status of the internal drain cooler valve. |
| | DrainPump: | Current value | * (Off, On) | Displays the status of the drain pump. |
| | MainContactor: | Current value | * (Off, On) | Displays the status of the main contactor. |
| | HeaterStage1: | Current value | * (Off, On) | Displays the status of the first stage contactor. (Only appears based on humidifier model and configurations.) |
| | HeaterStage2: | Current value | * (Off, On) | Displays the status of the second stage contactor. (Only appears based on humidifier model and configurations.) |
| | HeaterStage3: | Current value | * (Off, On) | Displays the status of the third stage contactor. (Only appears based on humidifier model and configurations.) |
| | SDUFan: | Current value | * (Off, On) | Displays the status of the SDU fan. (Only appears for humidifiers having the SDU option.) |
| | HeaterSSRStage: | Current value | * (min: 0.00%, max: 100.00%) | Displays the heater vernier stage output value. |
| WaterLevel: | Current value | * (min: 0.0%, max: 120.0%) | Displays the percentage of water remaining in the evaporation chamber. | |
| System | SysStatus: | Operational | * (Operational, Operational Read-Only, Download required, Download in progress, Non-operational, Backup in progress) | Displays the current system status. |
| | Vendor: | Neptronic | * | Displays the name of the vendor of the product. (Always Neptronic) |
| | Model: | - | * | Displays the humidifier model name. |
| | FirmwareRev: | - | * | Displays the latest firmware revision. |
| | CoreVersion: | - | * | Displays the current application software version. |
| | SerialNo: | - | * | Displays the serial number of the humidifier. |
| | Profile: | - | * | Displays a short profile for the configured device. |
| | MCULoad: | Current value | * (min: 0.0%, max: 100.0%) | Displays the current microcontroller load. |
| | MemoryLoad: | Current value | * (min: 0.0%, max: 100.0%) | Displays the current memory load. |
| | ResetReason: | None | * (None, BOR, Pin, POR, Soft, IWDG, WWDG, LPWR, Unknown) | Displays the reason for the previous system reset: <i>None = No Reset; BOR = Brownout Reset; Pin = Pin Reset (using PCB Reset Button); POR = Power-on Reset; Soft = Software Reset; IWDG = Independent Watchdog; WWDG = Windowed Watchdog; LPWR = Low Power Reset; Unknown = Unknown Cause</i> |

Menu - User [Level 2 - Requires level 2 (or higher) password in order to access]

| Sub-Menu | Setting | Default | Range | Description/Notes |
|------------------|---------------------------|------------------------|---|--|
| Command | OccupSchedule: | - | 00:00 Monday to Sunday Event 1 to Event 6 | Create a customized occupancy schedule with up to six events per day. (Only appears if ControlProfile is set to an internal control mode or HumCntrlDemandSrc is set to RoomDemand.) |
| Control | RoomDemandLoop [3] | | | Only appears if ControlProfile is set to an internal control mode or HumCntrlDemandSrc is set to RoomDemand. |
| | RoomRHStp: | 40.00% | min: 0.00%, max: 100.00% | Define the room demand setpoint value used during <i>Occupied</i> state. (Only appears if RoomRHStpSrc is set to Internal.) |
| | RoomRHUnocStp: | 30.00% | min: 0.00%, max: 100.00% | Define the room demand setpoint value used during <i>Unoccupied</i> state. |
| | RoomRHHvacStp: | 20.00% | min: 0.00%, max: 100.00% | Define the room demand setpoint value used during <i>Vacant</i> state. |
| | SupplyHLLoop [1] | | | Only appears if ModHLProfile is set to an internal control mode or HumCntrlHLSrc is set to SupplyHLDemand. |
| | SupplyHLStp: | 80.00% | min: 0.00%, max: 100.00% | Define the supply high limit demand setpoint value. |
| System | LocalDateTime: | YYYY-MM-DD 00:00:00 | | Configure the current date and time. |
| Interface | BacklightLvl: | 25% | min: 0%, max: 100% | Select the backlight level of the LCD screen. |
| | Contrast: | 10% | min: 0%, max: 30% | Select the contrast level of the LCD screen. |
| | KeypadBuzzer: | Inactive | Inactive, Active | Select whether to enable or disable the key press sound. |
| | Language: | English | <i>(Language options vary based on region.)</i> | Select the device language. |
| | Units: | Imperial | Metric, Imperial | Select whether to use a metric or imperial system of units for the local device. |

Menu - Service [Level 3 - Requires level 3 (or higher) password in order to access]

| Sub-Menu | Setting | Default | Range <i>(* indicates no configuration; display only)</i> | Description/Notes |
|------------------------|----------------------|---------|--|--|
| Status | RunTime: | 0.00hr | * | Displays the total runtime of the unit. |
| | OnTime: | 0.00hr | * | Displays the total operating time of the unit. |
| | ServRunTime: | 0.00hr | * | Displays the runtime of the unit, since the last servicing. |
| | ServOnTime: | 0.00hr | * | Displays the operating time of the unit, since the last servicing. |
| | ServiceDue: | Off | * (Off, On) | Displays whether the humidifier is due for servicing. |
| Command | DrainSchedule: | - | 00:00 Monday to Sunday Event 1 to Event 6 | Create a customized draining schedule with up to six events per day. |
| | Request: | None | None, Reset Alarms, Drain, Reset Counters | Perform one of the following actions for the humidifier: reset service counters, initiate a drain cycle or reset warning alarms. |
| Extended Config | WaterProbeAutoCalib: | Always | None, Once, Always | Select the frequency of the auto calibration setting for the water level sensor. |

Menu - Installation [Level 4 - Requires level 4 (or higher) password in order to access]

| Sub-Menu | Setting | Default | Range | Description/Notes | |
|---------------------|----------------------------|---------------------|---|---|---|
| Quick Config | DrainInterval: | 6hr | min: 0hr, max: 24hr | Set the frequency of the drain cycle. In general, a more frequent drain cycle is required as the water hardness level rises. The drain cycle setting does not affect the AFEC system. | |
| | IdleTime: | 72hr | min: 24hr, max: 72hr | Set the amount of time the humidifier can remain in standby mode until an automatic drain cycle is performed. | |
| | BlowdownRate: | 0% | min: 0.0%, max: 100% | Define the rate of boiler blowdown or water dilution, in order to minimize water impurities. | |
| | ServInterval: | 1000hr | min: 1000hr, max: 3000hr | Set the time of operation before the humidifier calls for servicing. | |
| | ServOperation: | Allowed | Not Allowed, Allowed | Select whether to enable the unit to continue producing steam, even when it is due for servicing. When set to <i>Allowed</i> , the unit will continue operating even when a service alarm is active. | |
| | FillMode: | Pulsed | OneShot, Pulsed | Select the water filling method for the fill valve: When set to <i>OneShot</i> , water will continuously flow. When set to <i>Pulsed</i> , water will flow in short bursts. | |
| Control | ControlProfile: | ExternAnalog | ExternAnalog, ExternNetwork, InternAnalog, InternNetwork, InternTBD, Custom | Select a preconfigured control mode profile for the modulating humidity demand. Select the <i>Custom</i> option to configure individual settings. (Network option only applicable for BACnet models.) | |
| | ModHlProfile: | Disabled | Disabled, ExternAnalog, ExternNetwork, InternAnalog, InternNetwork, Custom | Select a preconfigured control mode profile for the modulating high limit demand. Select the <i>Custom</i> option to configure individual settings. (Network option only applicable for BACnet models.) | |
| | RoomDemandLoop [2] | | | Only appears if ControlProfile is set to an internal control mode or HumCntrlDemandSrc is set to RoomDemand. | |
| | | RoomRHSrc: | None | None, RoomRH, Network | Select the reading source for the room demand. (Network option only applicable for BACnet models.) |
| | | RoomRHStptSrc: | None | None, Internal, ControllInput | Select the room demand setpoint source. |
| | SupplyHlLoop [2] | | | Only appears if ModHlProfile is set to an internal control mode or HumCntrlHlSrc is set to SupplyHlDemand. | |
| | | SupplyHlReadingSrc: | None | None, SupplyHLRH, Network | Select the reading source for the supply high limit demand. (Network option only applicable for BACnet models.) |
| | | SupplyHlStpntSrc: | None | None, Internal, ControllInput | Select the supply high limit demand setpoint source. |
| | HumidityControl [2] | | | | |
| | | HumCntrlDemandSrc: | ControllInput | None, ControllInput, RoomDemand, Network | Select the humidity control demand source for modulating humidifiers. (Network option only applicable for BACnet models.) |
| | HumCntrlHlSrc: | None | None, ControllInput, SupplyHlDemand, Network | Select the humidity control high limit source for modulating humidifiers. (Network option only applicable for BACnet models.) | |
| | HumCntrlBinDemandSrc: | None | None, BinaryExtDemand | Select the humidity control demand source for On/Off humidifiers. | |
| Physical IO | AlwaysRoomRH: | Off | Off, On | Select whether to always display the <i>RoomRHSigType</i> setting, regardless of the configuration selected in the <i>ControlProfile</i> setting. | |
| | AlwaysSupplyRH: | Off | Off, On | Select whether to always display the <i>SupplyRHSigType</i> setting, regardless of the configuration selected in the <i>ModHlProfile</i> setting. | |
| | CntrlSigType: | 0-10Vdc | 0-10Vdc, 2-10Vdc, 4-20mA, 0-20mA | Select the signal type for the control demand analog input. | |
| | RoomRHSigType: | 0-10Vdc | 0-10Vdc, 2-10Vdc, 4-20mA, 0-20mA | Select the signal type for the room humidity analog input. (Only appears if ControlProfile is set to InternAnalog or RoomRHSrc is set to RoomRH.) | |

| Sub-Menu | Setting | Default | Range | Description/Notes |
|-----------------|--------------------|-------------|--|---|
| Physical IO | SupplyRHSigType: | 0-10Vdc | 0-10Vdc, 2-10Vdc, 4-20mA, 0-20mA | Select the signal type for the duct or supply high limit humidity analog input. (Only appears if ModHLProfile is set to InternAnalog or SupplyHLReadingSrc is set to SupplyHLRH.) |
| Extended Config | AlarmBuzzer: | Disabled | Normal, Disabled | Select whether to enable or disable the alarm buzzer sound whenever there is a system warning. This will not affect the Status Display LED. |
| | SysLogLevel: | Debug | None, Emergency, Alert, Critical, Error, Warning, Notice, Info, Debug | Select the type of information to be stored on log file. (The humidifier must be connected to an SD card.) |
| | FanOffDelay: | 5min | min: 5min, max: 20min | Set the delay time after which the SDU fan will close once it is no longer needed. (Only applicable for humidifiers having the SDU option.) |
| | FanTrgt: | None | None, SDUFan | Select whether to enable or disable the SDU option. If set to <i>None</i> , the SDU will not operate. (Only applicable for humidifiers having the SDU option.) |
| | MinSteamOut: | 5% | min: 1%, max: 25% | Set the minimum steam production demand value, below which no steam will be produced. |
| | DrainInterval: | 6hr | min: 0hr, max: 24hr | Set the frequency of the drain cycle. In general, a more frequent drain cycle is required as the water hardness level rises. The drain cycle setting does not affect the AFEC system. |
| | DrainVolume: | 100% | min: 25%, max: 100% | Define the volume of water that is drained from the chamber, relative to the total capacity of the chamber. |
| | MaxOutput: | 100% | min: 0%, max: 100% | Set the maximum steam output of the humidifier relative to its total capacity. (Only applicable for modulating humidifiers.) |
| | IdleTime: | 72hr | min: 24hr, max: 72hr | Set the amount of time the humidifier can remain in standby mode until an automatic drain cycle is performed. |
| | IdleTempStpnt: | 32°F [0°C] | min: 32°F, max: 104°F [min: 0°C, max: 40°C] Units: C, F | Set the idle temperature setpoint value for the evaporation chamber when there is no demand. |
| | AntiFreezeStpnt: | 50°F [10°C] | min: 41°F, max: 59°F [min: 5°C, max: 15°C] Units: C, F | Set the evaporation chamber antifreeze temperature. (Only appears for units with the weather proof enclosure, if the antifreeze option is enabled.) |
| | BlowdownRate: | 0% | min: 0%, max: 100% | Define the rate of boiler blowdown or water dilution, in order to minimize water impurities. |
| | ServInterval: | 1000hr | min: 1000hr, max: 3000hr | Set the time of operation before the humidifier calls for servicing. |
| | TankRinseInterval: | 3day | min: 1day, max: 7day | Set the amount of time the humidifier stays in "Idle" or "Off" mode, before the evaporation chamber undergoes an automatic rinse cycle. |
| | ServOperation: | Allowed | Not Allowed, Allowed | Select whether to enable the unit to continue producing steam, even when it is due for servicing. When set to <i>Allowed</i> , the unit will continue operating even when a service alarm is active. |
| | FillMode: | Pulsed | OneShot, Pulsed | Select the water filling method for the fill valve: When set to <i>OneShot</i> , water will continuously flow. When set to <i>Pulsed</i> , water will flow in short bursts. |
| TankRinseIdle: | On | Off, On | Select whether to enable automatic rinse cycles while the humidifier is in "Idle" mode. When set to <i>Off</i> , the <i>TankRinseInterval</i> setting is disabled if the humidifier is turned on. | |
| TankRinseOff: | Off | Off, On | Select whether to enable automatic rinse cycles while the humidifier is turned off. When set to <i>Off</i> , the <i>TankRinseInterval</i> setting is disabled if the humidifier is turned off. | |

Menu - Integration [Level 5 - Requires level 5 password in order to access]

| Sub-Menu | Setting | Default | Range (* indicates no configuration; display only) | Description/Notes |
|------------------------|-------------------------|----------------------------------|---|--|
| Network | Device [4] | | | |
| | DeviceName: | - | | Establish a name for the device. |
| | Location: | - | | Establish a designated location for the unit. |
| | Description: | - | | Establish a brief description for the unit. |
| | DeviceInstance: | 0153001 (0x000255a9) | | Define the device instance value. |
| | HTTPServer [2] | | | |
| | HttpServerUnits: | Imperial | Metric, Imperial | Select whether to use a metric or imperial system of units for the web server. |
| | WebPriorityForWriting: | 15 | min: 1, max: 16 | Set the priority level assigned for writing. |
| | BACnetServer [3] | | | |
| | Language: | English | (Language options vary based on region.) | Select the language for the BACnet server. |
| | ListMode: | Integrator | Integrator, Advanced, Factory | Select the category of BACnet objects to display. |
| | Units: | Imperial | Metric, Imperial | Select whether to use a metric or imperial system of units for the BACnet server. |
| | BACnetMSTP [5] | | | |
| | MaxMaster: | 127 | min: 1, max: 127 | Configure MaxMaster value to increase network efficiency when there are less than 127 devices on the network. For optimal efficiency, set value to the highest MAC address in the MS/TP network. |
| | MaxInfoFrames: | 1 | min: 1, max: 3 | Configure the maximum number of information messages the controller may transmit, before it must pass the token to the next controller. |
| | AutoBaud: | Yes | No, Yes | Enable or disable automatic baud rate detection. |
| | BaudRate: | 38400 | 9600, 19200, 38400, 76800 | Select the baud rate for data transfer. |
| | MAC: | 001 | | Set the MS/TP network MAC address. |
| | BACnetIP [1] | | | |
| | BIPPort: | 47808 | min: 0, max: 65535 | Set the User Datagram Protocol (UDP) port number. BACnet port number is set by default. |
| | ModbusServer [1] | | | |
| | Units: | Imperial | Metric, Imperial | Select whether to use a metric or imperial system of units for the Modbus server. |
| | ModbusRTU1In [4] | | | |
| | MAC: | 1 | min: 0, max: 247 | Set the Modbus MAC address. |
| | Autobaud: | No | No, Yes | Enable or disable automatic baud rate detection. |
| | PortConfig: | No Parity, 2 Stop Bits | No Parity, 2 Stop Bits Even Parity, 1 Stop bit Odd Parity, 1 Stop bit | Select the Modbus communication port configuration. |
| BaudRate: | 19200 | 9600, 14400, 19200, 38400, 57600 | Select the baud rate for data transfer. | |
| Extended Config | SysLogIF: | IP0:192.168.92.101: 2971 | Select the IP address for the system log interface. | |

| Sub-Menu | Setting | Default | Range (* indicates no configuration; display only) | Description/Notes |
|----------------------|------------------------|------------------------|--|---|
| Communication | IPSettings [10] | | | |
| | DHCP: | Inactive | Inactive, Active | Select whether to enable Dynamic Host Configuration Protocol (DHCP) to automatically provide an IP address. |
| | RstIPSetting: | No | No, Yes | Select whether to restart the IP module, in order to allow recent parameter modifications to be effective. |
| | StaticAddress: | 192.168.92.200 | | Configure the static IP address. |
| | StaticSubnetMask: | 255.255.255.0 | | Configure the static subnet mask. |
| | StaticDefaultGateway: | 192.168.0.100 | | Configure the static default gateway. |
| | StaticDnsServer: | 192.168.10.50 | | Configure the static DNS server. |
| | ActualAddress: | <i>Current value</i> | * | Displays the actual IP address. |
| | ActualSubnetMask: | <i>Current value</i> | * | Displays the actual subnet mask. |
| | ActualDefaultGateway: | <i>Current value</i> | * | Displays the actual default gateway. |
| | ActualDnsServer: | <i>Current value</i> | * | Displays the actual DNS server. |
| | | ETHSettings [1] | | |
| EthernetMacAdd: | <i>Current value</i> | * | Displays the MAC address of the Ethernet interface. (Only applicable if using an Ethernet connection.) | |

List of Alarms

Table 14 - List of Alarms

| Display | Description | Alarm Reset |
|-----------------|---|-------------|
| AirFlow | Indicates that the airflow sensor is open. Verify that the signal from the airflow sensor is present at the controller's input on the PCB and verify wiring. | Automatic |
| SupplyHighLimit | Indicates that the high limit item is open. Verify that the signal from the supply high limit sensor is present at the controller's input on the PCB and verify wiring. | Automatic |
| Interlock | Indicates that the interlock and the cut-out circuitry are open. Verify that the signal from the interlock sensor is present at the controller's input on the PCB and verify wiring. | Automatic |
| HighLimitCutout | Indicates that the high limit cutout has been activated due to a humidity reading that exceeds the high limit setpoint. Ensure that the high limit humidistat is operating correctly and that the distance between the sensor and the steam dispersion manifold is sufficient (15 ft [4.6 m]). | Automatic |
| ThermalCutout | Indicates that the thermal cutout sensor is open. Verify that the signal from the thermal cutout sensor is present at the controller's input on the PCB and verify wiring. If that the high temperature switch has been activated due to an abnormal temperature reading, ensure that the humidifier is not operating below standard water level and verify the operation of the water level sensor. | Automatic |
| WaterLevel | Indicates that the capacitive water level sensor is defective or incorrectly wired. Check sensor and verify wiring. | Automatic |
| WtrLvlLow | Indicates that the resistive low water level sensor is defective or incorrectly wired. Check sensor and verify wiring. | Automatic |
| WtrLvlHigh | Indicates that the resistive high water level sensor is defective or incorrectly wired. Check sensor and verify wiring. | Automatic |
| WaterTemp | Indicates that the evaporation chamber water temperature sensor is defective or incorrectly wired. Check sensor and verify wiring. | Automatic |
| FoamSensor | Indicates that the foam cutout sensor is defective or incorrectly wired. Check sensor and verify wiring. | Automatic |
| SSRTemp | Indicates that the solid-state relay temperature sensor is defective or incorrectly wired. Check sensor and verify wiring. | Automatic |
| ContactorsFuse | Indicates that there is an issue with the printed circuit board fuse. Check the status of the fuse and replace it if defective. | Automatic |
| FanFault | Indicates that there is a problem with the SDU fan. Verify the signal and the operation of the SDU fan. (Only applicable for humidifiers having the SDU option.) | Automatic |
| FailedPump | Indicates that there was an error during draining due to a pump failure. Verify that the drain pump is operating correctly and that it is not being hindered or obstructed. | Manual * |
| FillTimeout | Indicates that the water level sensor has not reached the desired value within the programmed delay. Verify and remove any obstructions in the water inlet line and verify that the shut-off valve is not closed. | Manual * |
| BlockedPiping | Indicates that there was an error during draining due to a blockage in the pipes. Verify and remove any obstructions in the piping and ensure that the drain outlet is not clogged. | Manual * |
| HeatTimeout | Indicates that the water temperature in the evaporation chamber has not reached the boiling point within the programmed delay. Verify the temperature of the supply water. | Manual * |
| Overheat | Indicates that the evaporation chamber temperature sensor has detected a temperature reading greater than or equal to 221°F (105°C). Verify the operation of the water level sensor and ensure that the water supply piping is not obstructed. | Manual * |
| WaterLeak | Indicates that a water leak has been detected. Verify the water line for signs of leaks and ensure that all piping and water connections have been properly installed and secured. | Manual * |
| Foaming | Indicates that there have been three foaming events detected in the last hour. Verify the quality of the supply water. If chemical products were used to clean the evaporation chamber during maintenance, rinse the chamber properly with water before re-installing the chamber. | Manual * |
| ServiceDue | Indicates that the due date for servicing the evaporation chamber has arrived. See Service section on page 54 for details. | Manual ** |

* Use *Reset Alarms* function in *Request* setting (see page 46).

** Use *Reset Counters* function in *Request* setting (see page 46).



Start-up Procedure



Initial verification and start-up must be carried out by suitably qualified personnel.

It is strictly recommended to follow this start-up procedure in order to avoid any anomaly resulting from inaccurate installation of the components. In case of any problems or discrepancies, consult the Troubleshooting section (see page 58).


Initial Verification

| | | |
|-------------------|--|--|
| Clearance | 1. Ensure that the humidifier cabinet is installed in a location in which the humidifier can be serviced correctly. | <input type="checkbox"/> |
| Electrical | 2. Verify that the power supply (voltage) conforms to the appliance name plate on the side of the humidifier. 3. Confirm that 24Vac is present between tab 1&2 of JP20 and JP25 on the printed circuit board. | <input type="checkbox"/> <input type="checkbox"/> |
| Hydraulic | 4. Ensure that water is supplied to the humidifier and that a shutoff valve is placed outside the humidifier. 5. With the water shutoff valve turned on, check that the drain connections are connected to the main drain line with sufficient diameter. Ensure that there are no apparent leaks. | <input type="checkbox"/> <input type="checkbox"/> |
| Steam | 6. Verify that the steam distributors are properly installed into the ventilation duct or that the SDU is properly installed and connected to the humidifier. 7. Verify that the flexible steam hoses and rigid steam supply pipes are shorter than 16 ft (5 m) in total, are properly sloped and have condensation "S" traps wherever required. | <input type="checkbox"/> <input type="checkbox"/> |
| Controls | 8. Ensure that the Airflow switch is properly installed and connected to the printed circuit board. If an Airflow switch is not used, verify that a jumper is connected between terminals TB3 1&2. 9. Ensure that the High limit duct humidistat is properly installed and connected to the printed circuit board. Verify that the setpoint is properly adjusted. If a High limit duct humidistat is not used, verify that a jumper is connected between terminals TB3 1&3. 10. Ensure that the Interlock is properly connected to the printed circuit board. If the Interlock is not used, verify that a jumper is connected between terminals TB3 1&4. 11. If a room or duct humidistat is used, verify that it is correctly installed and properly connected to the humidifier. Verify that the setpoints are properly adjusted. 12. Turn the power on using the disconnect switch or circuit breaker. 13. Confirm the control set-up of the humidifier and verify that the setpoints are properly adjusted. | <input type="checkbox"/> <input type="checkbox"/> <input type="checkbox"/> <input type="checkbox"/> <input type="checkbox"/> <input type="checkbox"/> <input type="checkbox"/> <input type="checkbox"/> |



Start-Up

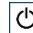

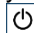
Start-up

1. Proceed to start-up the humidifier, as follows:
 - a) Turn on the humidifier by pressing and holding the Power button  for 3 seconds. Verify that the controller Status Display LED is blue.
 - b) Verify that there is a humidity demand displayed on the LCD screen of the humidifier.
 - c) Ensure that the water supply valve connected to the humidifier is turned on and that water is flowing directly to the humidifier water supply inlet. Ensure that the water shut off valve is turned off.
 - d) Verify the water level as water is filling the evaporation chamber by using the control panel to access the *WaterLevel* setting located in the *Physical IO* sub-menu of the *General* menu. Ensure that there are no water leaks along the water line.
 - e) Once the evaporation chamber has been filled, observe the system for water and steam leaks during several minutes of operation.

Safety Test

2. Check the location of the Airflow switch in the system and its operation by stopping the fan. With no air movement, the humidifier should automatically stop.

Drain and Reset

3. Turn off the humidifier by pressing and holding the Power  button for 3 seconds.
4. Conduct a drain cycle by pressing and holding the Drain button  for 3 seconds. Ensure that the evaporation chamber has been emptied.
5. Once the drain cycle is complete, restart the humidifier by pressing and holding the Power  button for 3 seconds.
6. Reset the Airflow switch if needed.

End

7. The humidifier is now ready for normal operation.
-



Service



WARNING: Danger of hot water. Drain water before servicing.

The humidifier requires regular periodic service to ensure efficient and trouble-free running. Regular service involves cleaning the evaporation chamber and its components manually. Generally, frequency of cleaning can range from 2 months to once a year, depending on the following factors:

- Quality of water
- Frequency of automatic drain cycles
- Demand placed on the humidifier

All SKE4 humidifiers are programmed for 1000 hours of operation. This is a default factory setting.

To view the number of hours the humidifier has run and the number of service hours, use the control panel to access the *Service Menu* (see page 46 for more details).

After 1000 hours of operation have passed, the Status Display LED on the control panel will turn red, indicating that the humidifier is due for servicing. Although the humidifier will continue to operate, it is imperative that service is performed as soon as possible, in order to ensure proper functionality.

Cleaning the Evaporation Chamber

Cleaning the evaporation chamber involves the following steps:

Stage 1 - Drain the evaporation chamber

Stage 2 - Shut down the electrical supply

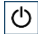



Stage 3 - Remove and clean the evaporation chamber

Stage 4 - Reinstall the evaporation chamber

Stage 5 - Restart the humidifier

Stage 1 - Drain the evaporation chamber

Before commencing the cleaning procedure, ensure that the evaporation chamber is cool and comfortable enough to handle, as the evaporation chamber and its contents can be extremely hot and can cause burning. To allow the evaporation chamber to cool, initiate a drain cycle:

1. Press and hold the Power  button for 3 seconds to switch off the humidifier.
2. Press and hold the Drain button  for 3 seconds to initiate a drain cycle and empty the evaporation chamber.
3. Once the initial drain cycle is complete, a second drain cycle must be performed to remove any water residue remaining. Press and hold the Power  button for 3 seconds to turn on the humidifier and refill the evaporation chamber with water.
4. Once the chamber has been filled, press and hold the Drain button  once again for 3 seconds to empty the chamber.

At the end of the second drain cycle, check the temperature of the evaporation chamber. To check the temperature, open the front door of the humidifier and touch the chamber with the back of your hand. If necessary, repeat the above steps until the chamber is cool enough to handle.

Stage 2 - Shut down the electrical supply


CAUTION: Risk of electric shock. The electric supply of the humidifier must be shut down. Disconnect the power at the External Breaker/Fused Disconnect before commencing servicing.

Once the evaporation chamber is sufficiently cool, remove the power supply to the humidifier at the disconnect switch or the breaker.

Stage 3 - Remove and clean the evaporation chamber

Disconnect the water inlet.



Uncouple the clamp connectors.



Slightly lift the chamber upwards.



Pull the chamber towards you.



Slide the chamber down.



Begin cleaning the chamber.

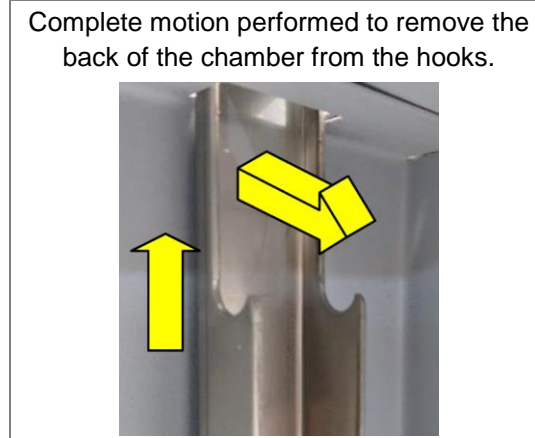


1. With the front access door removed, disconnect the water inlet attached to the front of the evaporation chamber, by removing the safety pins and manually disconnecting the hose shank coupling from the plumbing section of the humidifier. Connect and secure the water plug to the inlet in order to prevent water from leaking out from the evaporation chamber.
2. Uncouple the clamp connectors.

| Model | Method |
|-----------------------|---|
| SKE4-N02 to SKE4-N30 | Turn the two latches located around the evaporation chamber. |
| SKE4-N20L to SKE4-N60 | Turn the three latches located around the evaporation chamber. |
| SKE4-N30X to SKE4-N90 | Disengage the latch and remove the band clamp located around the evaporation chamber. |

(For models SKE4-N30X to N90, skip ahead to step 5.)

3. Once the clamps have been uncoupled, the tank will hang loose on the hooks located behind the chamber. While the chamber is tilted, slightly lift the evaporation chamber upwards, by raising it from the bottom with one hand, and holding onto the handle with the other.
4. Pull the evaporation chamber towards you using the handle, until it is fully removed from the back hooks.



5. Slide the evaporation chamber down using the rail-guided engagement system.
6. Let the evaporation chamber hang at the edge of the rail-guided system (**only for models SKE4-N10 to N60**) or remove the chamber in order to begin cleaning.



The evaporation chamber will still contain a few inches of water. Ensure that your footing is secure when removing the chamber. Take extra precautions when removing the evaporation chamber from large humidifiers, which may feel heavy when being pulled down.

7. Clean the evaporation chamber:

- Remove the residue that has accumulated inside the chamber.
- To clean out the remaining scale from the container, use a stiff brush (synthetic filament only) and some vinegar or any weak acid suitable for cleaning stainless steel.



WARNING: The use of a wire brush or any non-recommended acid will void the warranty.

- Do not scrape off the walls of the chamber.
- Ensure that the water inlet aperture is not blocked.



The heating elements are self-cleaning. Any mineral accumulation breaks off and falls to the bottom during operation.







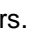
8. Replace the gasket attached to the top of the evaporation chamber.



Stage 4 - Reinstall the evaporation chamber

1. Slide the evaporation chamber back up the rail-guided engagement system until it is secured back on top.
2. Recouple the clamp connectors.
3. Disconnect the water plug and reconnect the water inlet to the evaporation chamber.
4. Turn the power back on at the disconnect switch or the breaker.

Stage 5 - Restart the humidifier

1. Press and hold the Power  button for 3 seconds to power on the humidifier.
2. Conduct a performance test by verifying the water level of the evaporation chamber as it is filled with water. Verify that there are no leaks.
3. Conduct a drain test by turning off the humidifier using the Power  button and performing a drain cycle using the Drain button .
4. Restart the humidifier to resume normal operation by pressing and holding the Power  button for 3 seconds.
5. To reset the service counters and clear the alarm warning after servicing:
 - a. Using the control panel, access the *Request* setting located in the *Command* sub-menu of the *Service* menu.
 - b. Select the *Reset Counters* value and press Enter  to reset the service counters.
6. Ensure that the drain cycles are set for every 6 hours of operation. This is the factory default setting and is recommended for city water.
 - To configure the drain cycle frequency, use the control panel to access the *DrainInterval* setting located in the *Quick Config* or *Extended Config* sub-menus of the *Installation* menu.

After the water boils for 6 hours in the chamber, it is laden with minerals and solutions. This affects the humidity output and the efficiency of the humidifier. Diluting the boiling water with a drain cycle will improve the performance of the humidifier.

Troubleshooting

Table 15 - Troubleshooting Guide

| Problem | Possible Cause | Corrective Action |
|--|---|---|
| <i>Humidifier does not operate (Screen turned Off)</i> | Power is not being supplied to the humidifier. | Check the main power supply and fuses. Verify the disconnect switch and the circuit breaker. |
| | The low voltage fuse is open. | Check the transformer and the low voltage fuse. Verify that the low voltage circuit is complete. |
| | Wire harnesses inside the humidifier are not secured properly. | Check the wires harnesses and the main PC board. Verify that all connections have been made properly. |
| <i>Humidifier does not operate (Screen turned On, Status Display LED: Off)</i> | The humidifier is not powered on. | Verify that the Power button has been pressed and held for 3 seconds for correct activation. |
| <i>Humidifier does not produce steam (No demand)</i> | <u>For modulating humidifier:</u> No analog signal detected. | Verify the setting of the control input. |
| | <u>For On/Off humidifier:</u> No demand from humidistat. | Verify the setting of the humidistat. |
| | Air flow is not detected by air pressure switch. | Check the fan operation. |
| | High limit humidistat is open. | Check the operation of the high limit humidistat. |
| | Interlock contact is open. | Check the interlock contact. |
| | Control wires are not properly secured to the terminal blocks. | Verify the connections of the wires to the control terminal blocks. |
| <i>No water inside the evaporation chamber or Humidifier does not stop draining</i> | Humidifier is being filled with water but has not yet reached or does not reach the high limit of the water level sensor. | - Verify that the drain valve is open. - Check if the shutoff valve on the water supply line is open. - Verify the operation of the fill valve. |
| | Humidifier is not being filled with water. | - Check that the fill valve strainer and the external strainer are not blocked. |
| <i>Humidifier does not drain</i> | Drain valve is clogged. | Check the drain valve. |
| | During a drain or foaming cycle, the water level sensor has sensed that the water level has not decreased. | Verify that the drain pump, the fill and drain water pipe connections and the water level sensor chamber are not obstructed. |
| <i>Humidifier is always on Foam cycle (FoamSensor setting displays Foam)</i> | Excessive foaming condition inside the evaporation chamber. | - Verify the quality of the supply water. - Verify if chemical products were used to clean the evaporation chamber during maintenance. Rinse the chamber properly with water. - Check the setting of the drain cycle. Reduce the time between drain cycles. |
| <i>Humidifier is operating and the Status Display LED is Red (ServiceDue setting displays On)</i> | The humidifier is due for servicing. | Service the evaporation chamber (see Service section on page 54). Use <i>Request</i> setting in <i>Service</i> menu to reset counters (see page 46). |
| <i>Humidifier is not operating and the Status Display LED is Red (ThermalCutout setting displays Open)</i> | The high temperature switch has sensed abnormal temperature. | Verify if the humidifier was operating below the standard water level. Replace water level sensor if necessary. |
| <i>Humidifier does not operate (Screen turned Off, Status Display LED: Blue)</i> | The following components can be the cause of this problem: water level sensor, PC board or LCD display. | Call factory for troubleshooting instructions. |
| <i>Humidifier is producing steam (Screen turned Off, Status Display LED: Blue)</i> | The display FFC cable is not connected properly. | Verify that the connections of the FFC cable are properly secured and are on the correct side. |
| | The LCD display is defective. | Replace the LCD display. |

Exploded View and Bill of Material

Exploded View

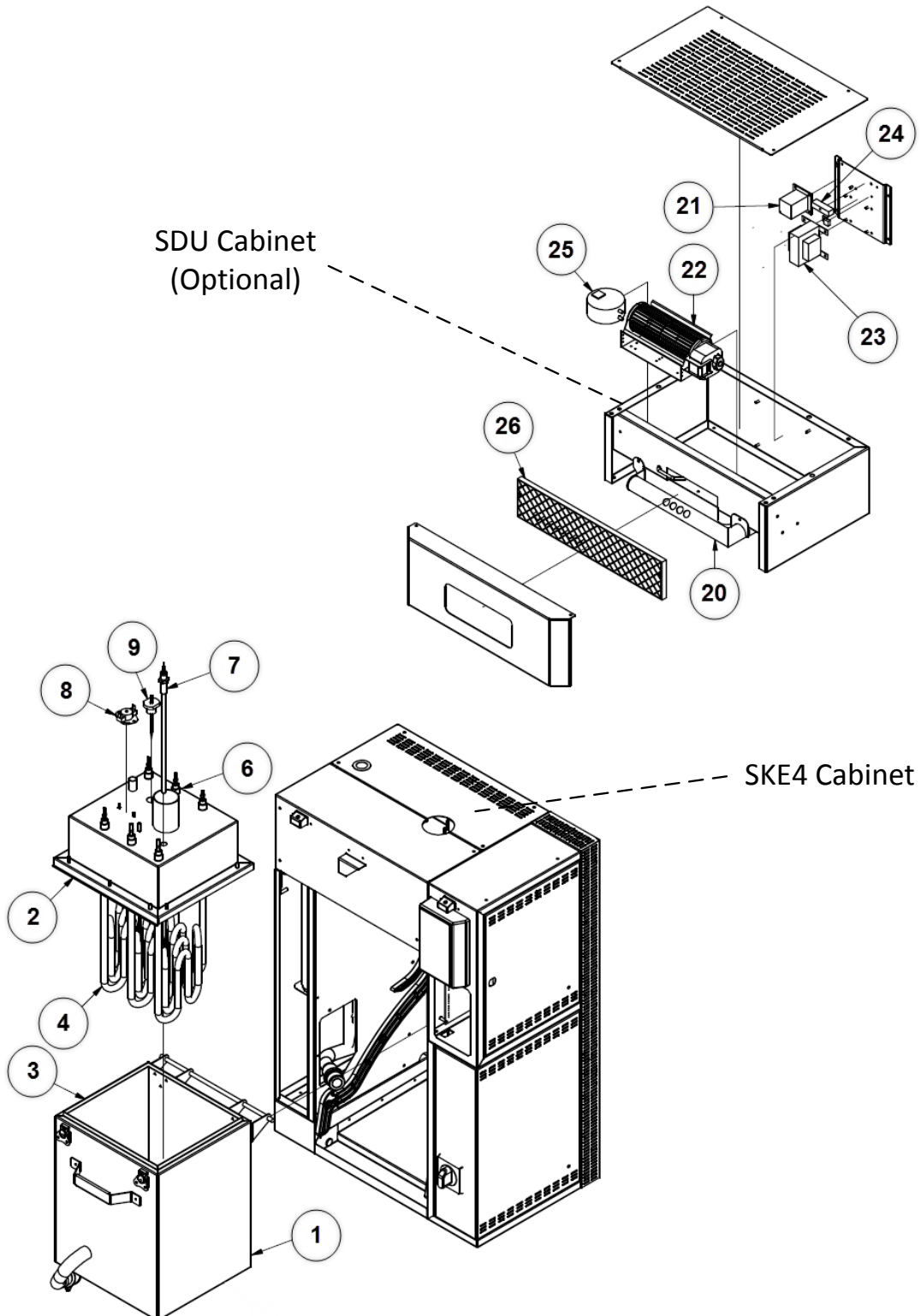


Illustration 48 - Exploded View Part 1

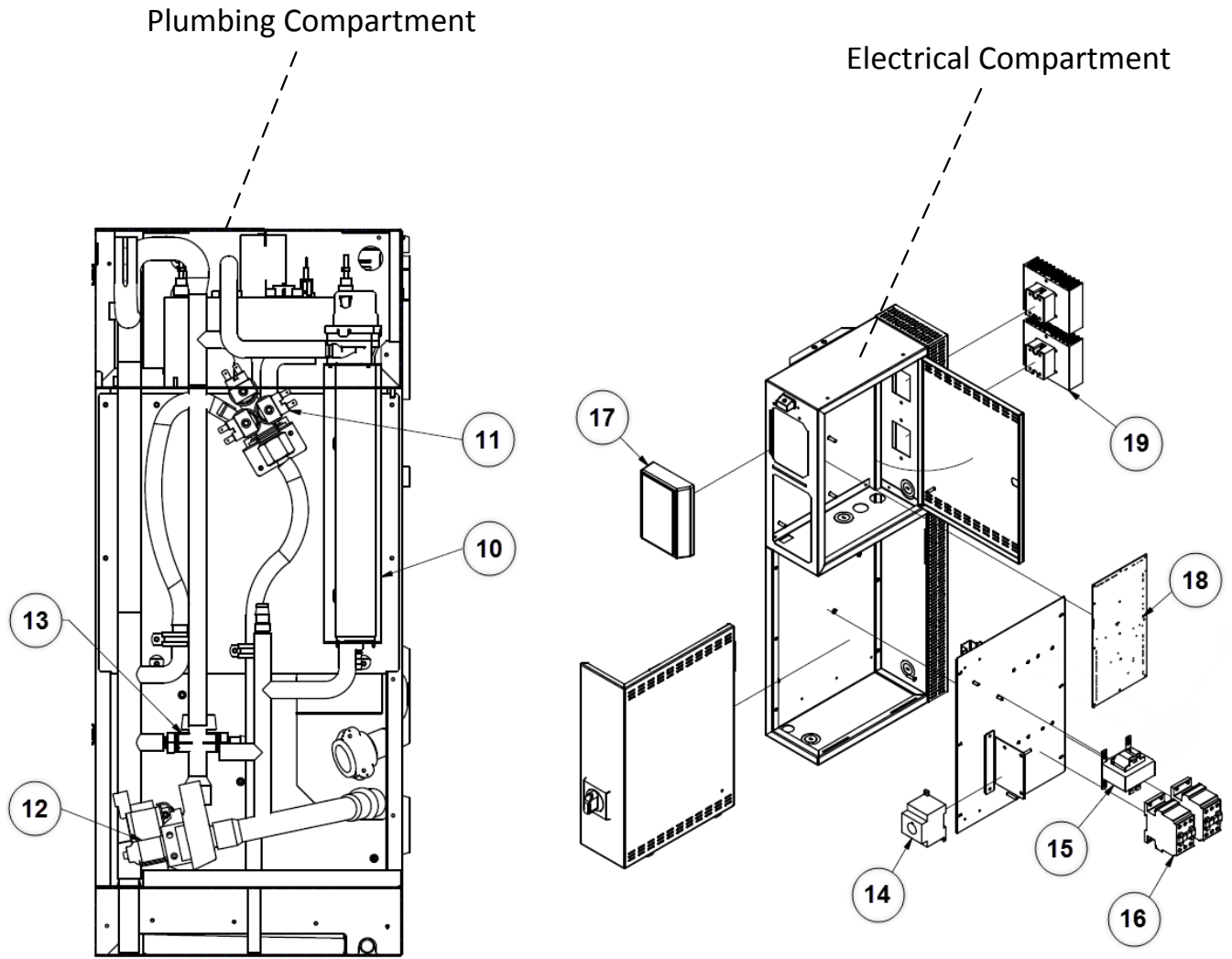


Illustration 49 - Exploded View Part 2



Bill of Material

Table 16 - Bill of Material

| <i>Item</i> | <i>Description</i> | <i>Model</i> | <i>Part Number</i> |
|-------------|-----------------------------------|--------------------------------|--------------------|
| 1 | Evaporation chamber container | SKE4-N02 to SKE4-N06 | SP 4222-20 |
| | | SKE4-N10 to SKE4-N30 | SP 4232-20 |
| | | SKE4-N20L to SKE4-N60 | SP 4242-20 |
| | | SKE4-N30X to SKE4-N90 | SP 4253 |
| 2 | Evaporation chamber cover | SKE4-N02 to SKE-N06 (1 phase) | SP 4222-1R |
| | | SKE4-N02 to SKE-N06 (3 phases) | SP 4222-2R |
| | | SKE4-N10 to SKE4-N14 | SP 4232-1R |
| | | SKE4-N16 to SKE4-N30 | SP 4232-2R |
| | | SKE4-N20L to SKE4-N60 | SP 4242-1R |
| | | SKE4-N30X to SKE4-N70 | SP 4251 |
| 3 | Evaporation chamber gasket | SKE4-N80 to SKE4-N90 | SP 4252 |
| | | SKE4-N02 to SKE4-N06 | SP 4222-8 |
| | | SKE4-N10 to SKE4-N30 | SP 4232-8 |
| | | SKE4-N20L to SKE4-N60 | SP 4242-8 |
| 4 | Heater element | SKE4-N30X to SKE4-N90 | SP 4255 |
| | | See table below | |
| 5 | Washer (heater element) | SKE4-N02 to SKE4-N90 | SP 1005 |
| 6 | S/S hex. jam nut (heater element) | SKE4-N02 to SKE4-N90 | SP 2330 |
| 7 | Temperature sensor | See table below | |
| 8 | High temperature switch (klixon) | SKE4-N02 to SKE4-N90 | SP 3035 |
| 9 | Foam sensor | SKE4-N02 to SKE4-N06 | SW FOAMSM-ASSY |
| | | SKE4-N10 to SKE4-N30 | SW FOAMMED-ASSY |
| | | SKE4-N20L to SKE4-N60 | SW FOAMLG-ASSY |
| | | SKE4-N30X to SKE4-N90 | SW FOAMSL-ASSY |
| 10 | Water level sensor | See table below | |
| 11 | Water supply valve | SKE4-N02 to SKE4-N90 | SP 6009 |
| 12 | Drain pump | SKE4-N02 to SKE4-N90 | SP G4101 |
| 13 | Drain valve | SKE4-N02 to SKE4-N90 | SP 4233-10 |
| 14 | Disconnect switch | See table below | |
| 15 | Transformer | See table below | |
| 16 | Contactator | See table below | |
| 17 | Alphanumeric display | SKE4-N02 to SKE4-N90 | SW SKE4DISPLAY-AS |
| 18 | Printed circuit board | SKE4-N02 to SKE4-N90 | NW SKE4MAIN |
| 19 | Solid-state relay | SKE4-N02 to SKE4-N90 | SP 3102 |
| 20 | SDU steam dispersion manifold | SDU4-1 | SW 4134 |
| | | SDU4-2 | SW 4135 |
| | | SDU4-3 | SW 4136 |
| 21 | SDU relay | SDU4-1, SDU4-2 & SDU4-3 | SP 3114 |
| 22 | SDU fan | SDU4-1 | SP 3011 |
| | | SDU4-2 | SP 3009 |
| | | SDU4-3 | SP 3014 |
| 23 | SDU transformer | See table below | |
| 24 | Fuse inside SDU | SDU4-1, SDU4-2 & SDU4-3 | SP 5105 |
| 25 | SDU airflow switch | SDU4-1, SDU4-2 & SDU4-3 | SP PSA1-01 |
| 26 | SDU plastic grill | SDU4-1, SDU4-2 & SDU4-3 | SP 4131-11 |



Table 17 - Additional Bill of Material Details

| <i>Item</i> | 4 Heater element | 7 Temperature sensor | 10 Water level sensor | 14 Disconnect switch | 15 Transformer | 16 Contactor | 23 SDU transformer | |
|------------------|----------------------------|--------------------------------|---------------------------------|--------------------------------|--------------------------|------------------------|------------------------------|---------|
| SKE4-N02 | 120V/1 | SW 5943 | NP 7764A | SW SK4WLTR1-HEAD | DP13-3004 | SP 3380 | SP 3080 | - |
| | 240V/1 | SW 5932 | NP 7764A | SW SK4WLTR1-HEAD | DP13-3004 | SP 3310 | DP11-6002 | SP 3312 |
| | 208V/1 | SW 5933 | NP 7764A | SW SK4WLTR1-HEAD | DP13-3004 | SP 3308 | DP11-6002 | SP 3305 |
| | 480V/1 | SW 5934 | NP 7764A | SW SK4WLTR1-HEAD | DP13-3004 | SP 3321 | DP11-6002 | SP 3329 |
| | 600V/1 | SW 5935 | NP 7764A | SW SK4WLTR1-HEAD | DP13-3004 | SP 3341 | DP11-6002 | SP 3349 |
| SKE4-N04 | 240V/1 | SW 5937 | NP 7764A | SW SK4WLTR1-HEAD | DP13-3004 | SP 3310 | SP 3080 | SP 3312 |
| | 208V/1 | SW 5940 | NP 7764A | SW SK4WLTR1-HEAD | DP13-3004 | SP 3308 | SP 3080 | SP 3305 |
| | 208V/3 | SW 5924 | NP 7764A | SW SK4WLTR1-HEAD | DP13-3004 | SP 3308 | DP11-6002 | SP 3305 |
| | 480V/1 | SW 5941 | NP 7764A | SW SK4WLTR1-HEAD | DP13-3004 | SP 3321 | DP11-6002 | SP 3329 |
| | 480V/3 | SW 5923 | NP 7764A | SW SK4WLTR1-HEAD | DP13-3004 | SP 3321 | DP11-6002 | SP 3329 |
| | 600V/1 | SW 5942 | NP 7764A | SW SK4WLTR1-HEAD | DP13-3004 | SP 3341 | DP11-6002 | SP 3349 |
| | 600V/3 | SW 5925 | NP 7764A | SW SK4WLTR1-HEAD | DP13-3004 | SP 3341 | DP11-6002 | SP 3349 |
| SKE4-N06 | 240V/1 | SW 5938 | NP 7764A | SW SK4WLTR1-HEAD | DP13-3004 | SP 3310 | SP 3080 | SP 3312 |
| | 208V/1 | SW 5943 | NP 7764A | SW SK4WLTR1-HEAD | DP13-3004 | SP 3308 | SP 3080 | SP 3305 |
| | 208V/3 | SW 5933 | NP 7764A | SW SK4WLTR1-HEAD | DP13-3004 | SP 3308 | SP 3080 | SP 3305 |
| | 480V/1 | SW 5944 | NP 7764A | SW SK4WLTR1-HEAD | DP13-3004 | SP 3321 | DP11-6002 | SP 3329 |
| | 480V/3 | SW 5934 | NP 7764A | SW SK4WLTR1-HEAD | DP13-3004 | SP 3321 | DP11-6002 | SP 3329 |
| | 600V/1 | SW 5945 | NP 7764A | SW SK4WLTR1-HEAD | DP13-3004 | SP 3341 | DP11-6002 | SP 3349 |
| | 600V/3 | SW 5935 | NP 7764A | SW SK4WLTR1-HEAD | DP13-3004 | SP 3341 | DP11-6002 | SP 3349 |
| SKE4-N10 | 208V/3 | SW 5959 | NP 7765C | SW SK4WLTR2-HEAD | DP13-3004 | SP 3308 | SP 3080 | SP 3305 |
| | 480V/3 | SW 5958 | NP 7765D | SW SK4WLTR1-HEAD | DP13-3004 | SP 3321 | SP 3080 | SP 3329 |
| | 600V/3 | SW 5957 | NP 7765D | SW SK4WLTR1-HEAD | DP13-3004 | SP 3341 | SP 3080 | SP 3349 |
| SKE4-N14 | 208V/3 | SW 5946 | NP 7765C | SW SK4WLTR2-HEAD | DP13-3005 | SP 3308 | SP 3100 | SP 3305 |
| | 480V/3 | SW 5947 | NP 7765D | SW SK4WLTR1-HEAD | DP13-3004 | SP 3321 | SP 3080 | SP 3329 |
| | 600V/3 | SW 5948 | NP 7765D | SW SK4WLTR1-HEAD | DP13-3004 | SP 3341 | SP 3080 | SP 3349 |
| SKE4-N16 | 208V/3 | SW 5960 | NP 7765D | SW SK4WLTR1-HEAD | DP13-3005 | SP 3308 | SP 3100 | SP 3351 |
| | 600V/3 | SW 5958 | NP 7765D | SW SK4WLTR1-HEAD | DP13-3004 | SP 3341 | SP 3080 | SP 3353 |
| SKE4-N20 | 480V/3 | SW 5950 | NP 7765C | SW SK4WLTR2-HEAD | DP13-3004 | SP 3321 | SP 3080 | SP 3395 |
| | 600V/3 | SW 5951 | NP 7765C | SW SK4WLTR2-HEAD | DP13-3004 | SP 3341 | SP 3080 | SP 3396 |
| SKE4-N30 | 480V/3 | SW 5952 | NP 7765C | SW SK4WLTR2-HEAD | DP13-3005 | SP 3321 | SP 3100 | SP 3395 |
| | 600V/3 | SW 5939 | NP 7765C | SW SK4WLTR2-HEAD | DP13-3004 | SP 3341 | SP 3080 | SP 3396 |
| SKE4-N20L | 208V/3 | SW 5959 | NP 7765C | SW SK4WLTR2-HEAD | DP13-3005 | SP 3308 | SP 3080 (2x) | - |
| SKE4-N40 | 480V/3 | SW 5950 | NP 7765C | SW SK4WLTR2-HEAD | DP13-3005 | SP 3321 | SP 3080 (2x) | - |
| | 600V/3 | SW 5951 | NP 7765C | SW SK4WLTR2-HEAD | DP13-3005 | SP 3341 | SP 3080 (2x) | - |
| SKE4-N50 | 480V/3 | SW 5950 SW 5952 | NP 7765C | SW SK4WLTR2-HEAD | DP13-3005 | SP 3321 | SP 3100 (2x) | - |
| | 600V/3 | SW 5952 | NP 7765C | SW SK4WLTR2-HEAD | DP13-3005 | SP 3341 | SP 3080 (2x) | - |
| SKE4-N60 | 480V/3 | SW 5952 | NP 7765C | SW SK4WLTR2-HEAD | DP13-3006 | SP 3321 | SP 3100 (2x) | - |
| | 600V/3 | SW 5939 | NP 7765C | SW SK4WLTR2-HEAD | DP13-3005 | SP 3341 | SP 3080 (2x) | - |
| SKE4-N30X | 208V/3 | SW 5959 | NP 7765C | SW SK4WLTR2-HEAD | DP13-3006 | SP 3381 | SP 3080 (3x) | - |
| SKE4-N40X | 208V/3 | SW 5946 | NP 7765C | SW SK4WLTR2-HEAD | DP13-3008 | SP 3381 | SP 3100 (3x) | - |
| SKE4-N70 | 480V/3 | SW 5950 (6x) SW 5952 (3x) | NP 7765C | SW SK4WLTR2-HEAD | DP13-3006 | SP 3383 | SP 3080 (3x) | - |
| | 600V/3 | SW 5951 (6x) SW 5939 (3x) | NP 7765C | SW SK4WLTR2-HEAD | DP13-3006 | SP 3384 | SP 3080 (3x) | - |
| SKE4-N80 | 480V/3 | SW 5952 (6x) SW 5950 (3x) | NP 7765C | SW SK4WLTR2-HEAD | DP13-3006 | SP 3383 | SP 3100 (3x) | - |
| | 600V/3 | SW 5939 (6x) SW 5951 (3x) | NP 7765C | SW SK4WLTR2-HEAD | DP13-3006 | SP 3384 | SP 3080 (3x) | - |
| SKE4-N90 | 480V/3 | SW 5962 (9x) | NP 7765C | SW SK4WLTR2-HEAD | DP13-3008 | SP 3383 | SP 3100 (3x) | - |
| | 600V/3 | SW 5963 (9x) | NP 7765C | SW SK4WLTR2-HEAD | DP13-3006 | SP 3384 | SP 3080 (3x) | - |



neptronic®

400 Lebeau blvd, Montreal, Qc, H4N 1R6, Canada

www.neptronic.com

Toll free in North America: 1-800-361-2308

Tel.: (514) 333-1433

Fax: (514) 333-3163

Customer service fax: (514) 333-1091

Monday to Friday: 8:00am to 5:00pm (Eastern time)