



Features

- Microprocessor based
- Complete with factory installed heat sink
- Mounting on a plate or in a panel
- SSR UL and CSA approved
- Pulse status LED for servicing and troubleshooting
- Setpoint range on controller (optional)

EHC40-600-10X
 EHC56-600-10X
 EHC67-600-10X
 EHC20-600-30X
 EHC40-600-30X
 EHC56-600-30X
 EHC67-600-30X

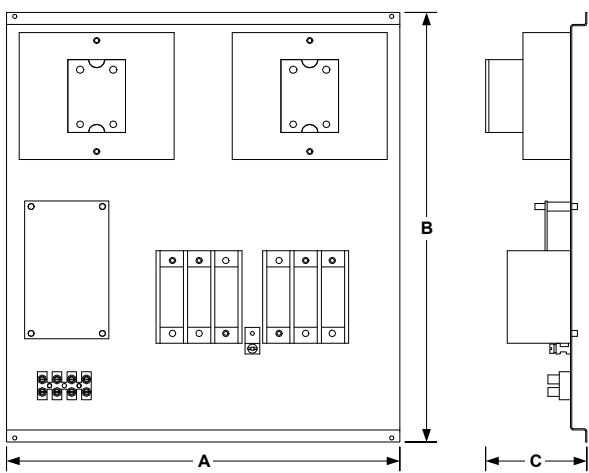
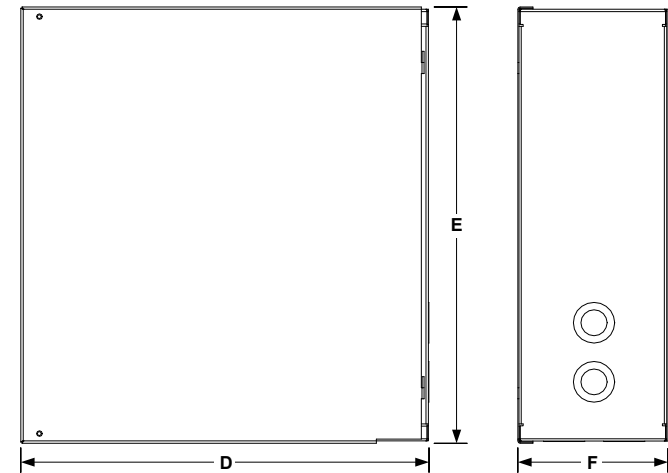
Models

Model #	Maximum Amperage	Number of Phases
EHC40-600-10X	40	1 phase
EHC56-600-10X	56	
EHC67-600-10X	67	
EHC20-600-30X	20	3 phases
EHC40-600-30X	40	
EHC56-600-30X	56	
EHC67-600-30X	67	

Common Specifications

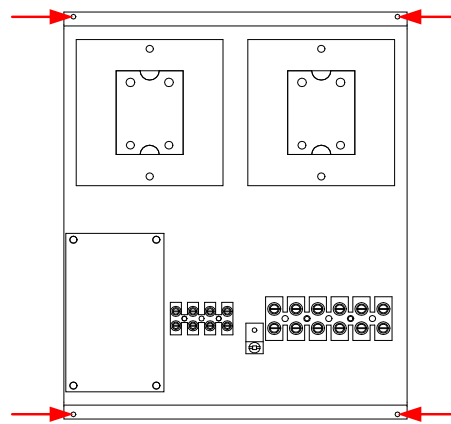
Specification	Description
Maximum Voltage	600 volts
Power Supply	22 to 26 Vac 50/60Hz
Power Consumption	2 VA
Input	0 to 10 Vdc, 2 to 10 Vdc, 4 to 20 mA, pulse AC and DC, Neptronic® resistive signal
Operating Temperature	5°C to 40°C [41°F to 104°F]
Relative Humidity	5 to 95% non condensing
Setpoint Range	Optional, 16°C to 38°C [61°F to 100°F] on controller
Switching	Zero voltage cross firing
Weight	1.45 kg [3.2 lb]
Mounting	P = Assembled on a metal plate B = Assembled in a metal box

Dimensions

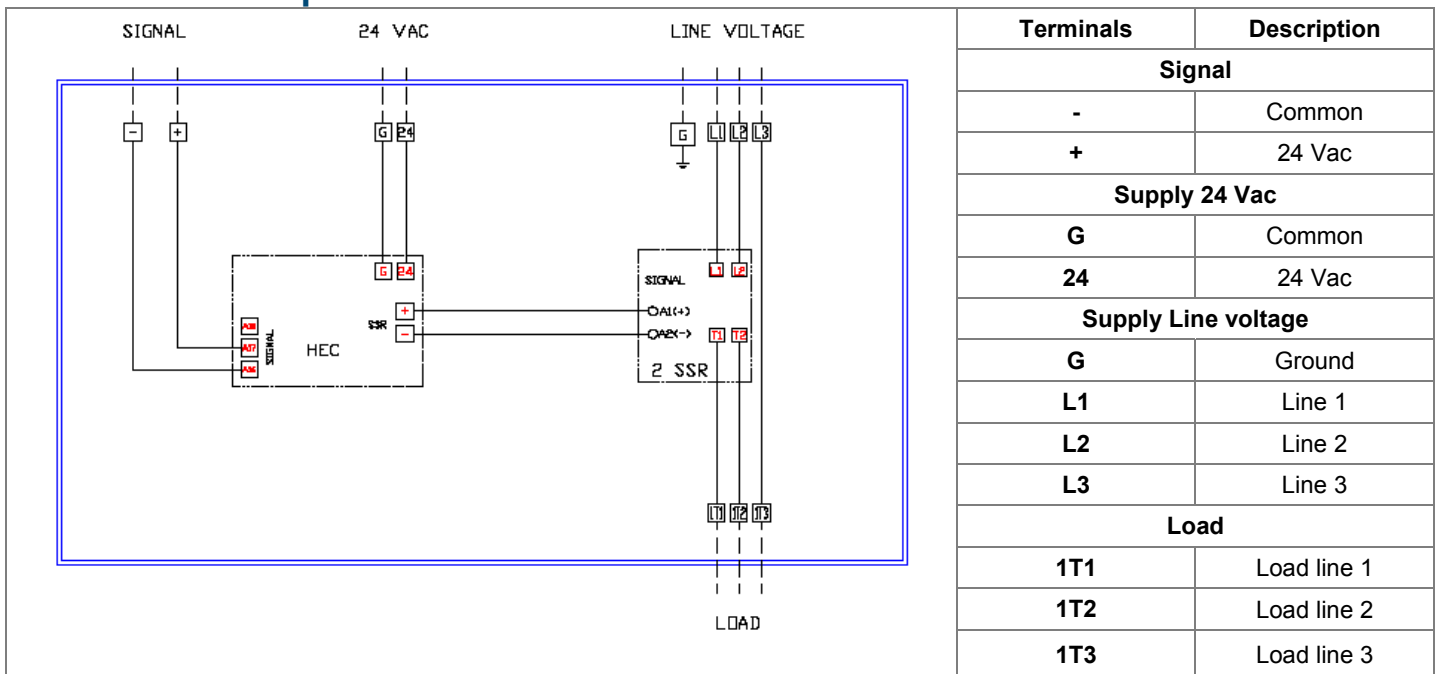
EHC models assembled on a metal plate			EHC models assembled in a metal box		
					
Dimension	Inches (")	Metric (mm)	Dimension	Inches (")	Metric (mm)
A	12.00	304.8	D	13.50	342.9
B	13.36	339.2	E	14.76	374.8
C	3.09	78.5	F	5.00	127.0

Mounting Instructions

Affix the EHC directly on a wall or a ventilation duct with #5 screws.



Terminal Descriptions



Typical Applications

