





**Features:**

- Power supply 24 Vac/Vdc
- Minimum force 200N [45lbs]
- Control mode: digital (XT models) or analog (XM models)
- Patented Enerdrive Fail-Safe System\* (060 models)
- Auto stroke on power up (XM models)
- Anti-stick option (XM models)
- Manual override
- Direct or reverse acting (configurable)
- Status LED
- Standard cable 1 meter (3.2 ft) long
- Easy installation, no tools required
- Small size allows for easy installation in limited space
- Stall-proof, maintenance free
- IP54 enclosure
- Equal percentage available upon request (XM only)

**XM000**  
**XM060**  
**XT000**  
**XT060**

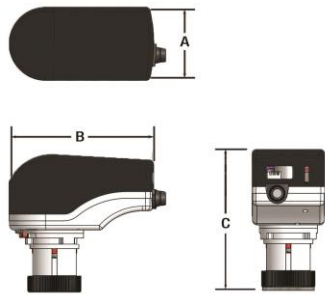
Technical Data	XM000	XM060	XT000	XT060
Minimum force	200N [45lbs]			
Power supply	22 to 26 Vac or 22 to 26 Vdc			
Power consumption	5VA	10VA peak, 6VA	5VA	10VA peak, 6VA
Electrical connection	4-wire (except XT000 is 3-wire) halogen free cable 0.8 mm <sup>2</sup> [18AWG], 1 m (3.2 ft) long			
Control mode & signal	Analog, 0-10Vdc or 2-10Vdc; 4-20mA with external 500Ω resistor		Digital, 2 positions or 3 point floating	
Feedback signal	0-10Vdc or 2-10Vdc		No feedback	
Running time	18.5 sec/mm - 120 sec for 6.5mm			
Failsafe running time	No failsafe	9.2 sec/mm 60 sec for 6.5mm	No failsafe	9.2 sec/mm 60 sec for 6.5mm
Maximum stroke	Up to 6.5 mm [¼ in], self adjustable			
Direction	Reversible, normally up position (open) or normally down position (close)			
Ambient temperature	2°C to 50°C [36°F to 122°F]			
Storage temperature	-30°C to 50°C [-22°F to 122°F]			
Relative humidity	5 to 95 % non condensing			
Medium temperature (in valve)	2°C to 120°C [36°F to 248°F]			
Weight	0.4 kg [0.9 lbs.]			
Ingress protection	IP54 equivalent to NEMA type 3R			
Country of manufacture	Made in Canada			
Certifications	 			

**Dimensions**

**XM000 / XT000**

A = 2.08" | 53mm  
 B = 4.09" | 104mm  
 C = 3.62" | 92mm

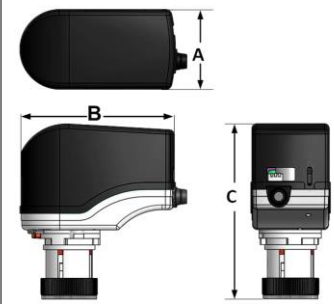
adaptor -500



**XM060 / XT060**

A = 2.08" | 53mm  
 B = 4.09" | 104mm  
 C = 4.18" | 107mm

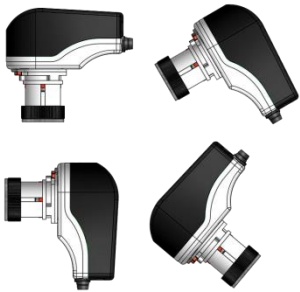
adaptor -500



**Mechanical installation**

**Mounting of the actuated valve on system**

Correct mounting



Incorrect mounting



1. The actuated valve installation should be easily accessible and provide sufficient clearance for service and replacement.
2. Horizontal and vertical positions are preferred orientation for the installation of actuated valve. However, this actuator can be installed at any in between angle.

**Caution:**

Do not install at more than 90° from horizontal.

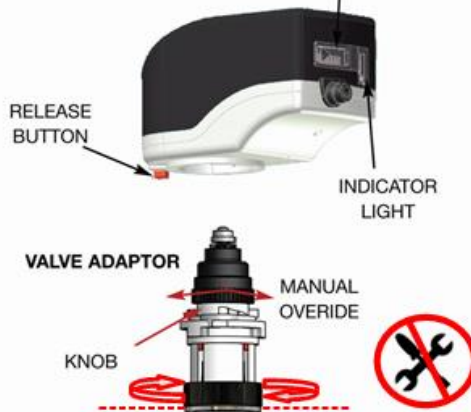
**Mounting of the actuator on valve**

**ACTUATOR TO VALVE ADAPTOR**



No foam insulation above the dotted line and around the adaptor

**ACTUATOR**      **DIP SWITCHES**



No foam insulation above the dotted line and around the adaptor

1. Mount the valve adaptor to the valve and fingers tighten only.
2. Rotate knob clockwise to open the valve.  
Do not force knob in either direction!
3. Manually adjust the knob to test piping network.
4. Once satisfied that the network is working properly, engage the actuator over the valve adaptor and turn 30° clockwise (CW). You should hear an audible click.

To disengage the actuator, press the release button while turning the actuator CCW 30°.

**Caution:**

Actuator specifically calibrated to its adapter. **DO NOT** exchange original adapter with a different actuator.

**WARNING!**

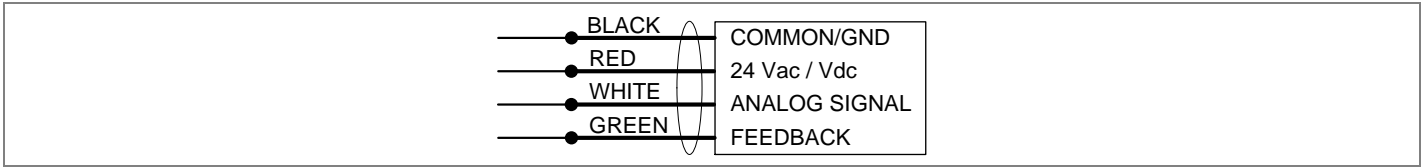


**You must connect the actuator to its adaptor and mount it on a valve before applying power. Failure to do so will result in incorrect operation of the actuator.**

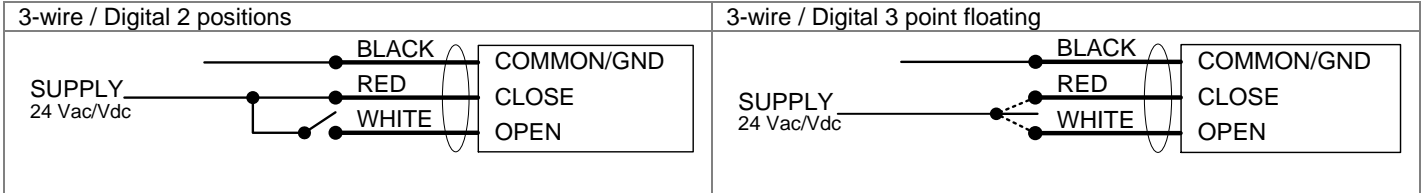


**If you plan to add foam insulation, do not add insulation foam beyond the chrome ring and around the adaptor. Improper installation of insulation material could lead to a build-up of condensate water around the valve and the chrome ring of the adaptor, which could lead to build up of rust and compromise the structure of the chrome ring that holds the adaptor.**

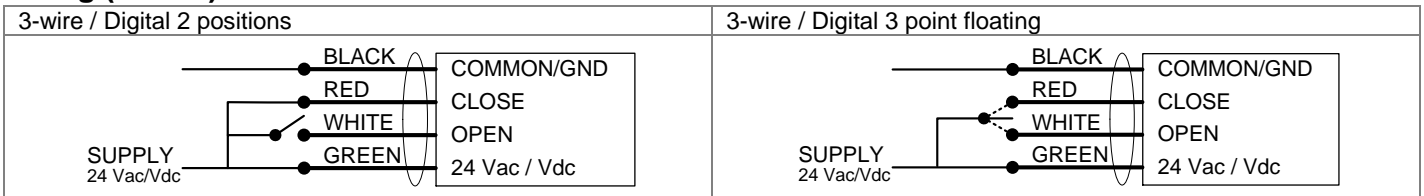
**Wiring (XM000 & XM060)**



**Wiring (XT000)**



**Wiring (XT060)**



**DIP Switches**

Each model has a different number of DIP switches, which are located behind the translucent silicone cap at the back of the actuator. Read the following sections carefully for detailed information on the different options. The DIP switches can be changed at any time. The changed option (DIP switch setting) takes effect immediately. If a change is made during an Auto-Stroke sequence (analog models only), the change takes effect once the Auto-Stroke sequence is complete (up to 240 seconds).

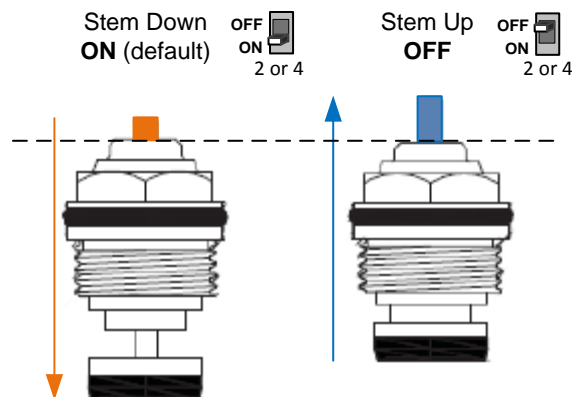
**Enerdrive\* Fail Safe System**

The **Enerdrive\*** system is a patented method of storing energy (using super capacitors) that is later used to drive the actuator to its failsafe position during a power failure. It takes approximately 90 seconds to fully charge the **Enerdrive\*** system. With the restoration of power, the actuator immediately resumes operation and the **Enerdrive\*** system is recharged. Use the Failsafe Direction DIP switch (#4 for XM060 or #2 for XT060) to set the actuator to respond according to the application requirements.

**Failsafe Direction**

Final position during failsafe operation

Failsafe Direction DIP Switch (#2 or #4)



**Settings: Analog Models (XM000 & XM060)**

**Auto-Stroke**

Analog actuators perform an Auto-Stroke sequence upon every power-up. The Auto-Stroke sequence runs from 0 to the end position and back in order to automatically detect the stroke limits and calibrate the input signal to the detected stroke limits. The Auto-Stroke sequence can take up to a maximum of 2 minutes to complete.



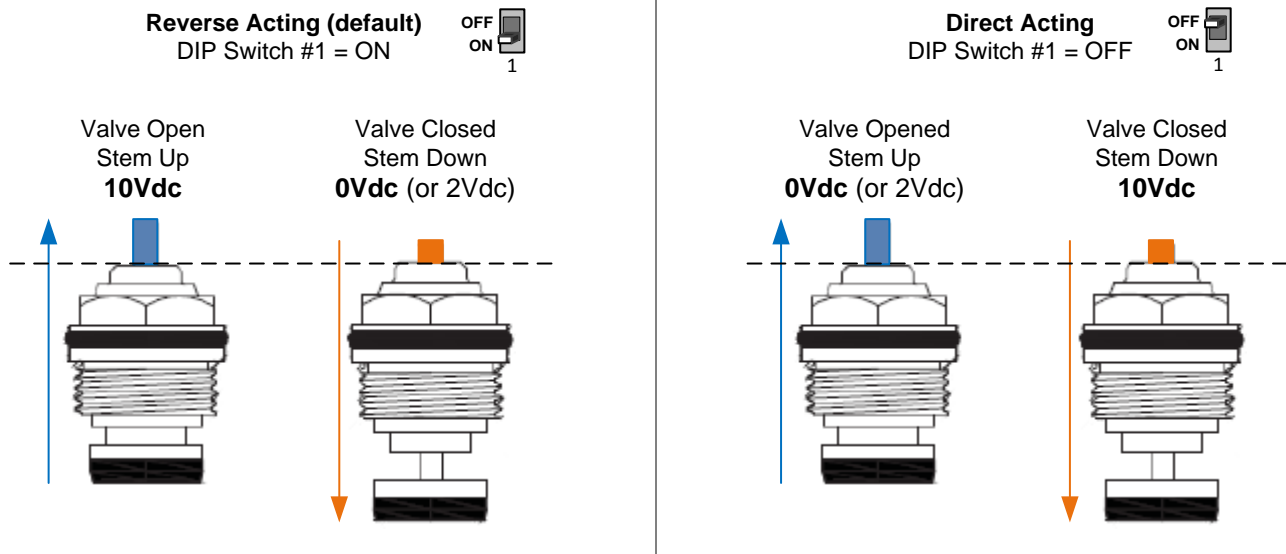
*During the Auto-Stroke sequence, the status LED remains on and the actuator will not perform any other action.*



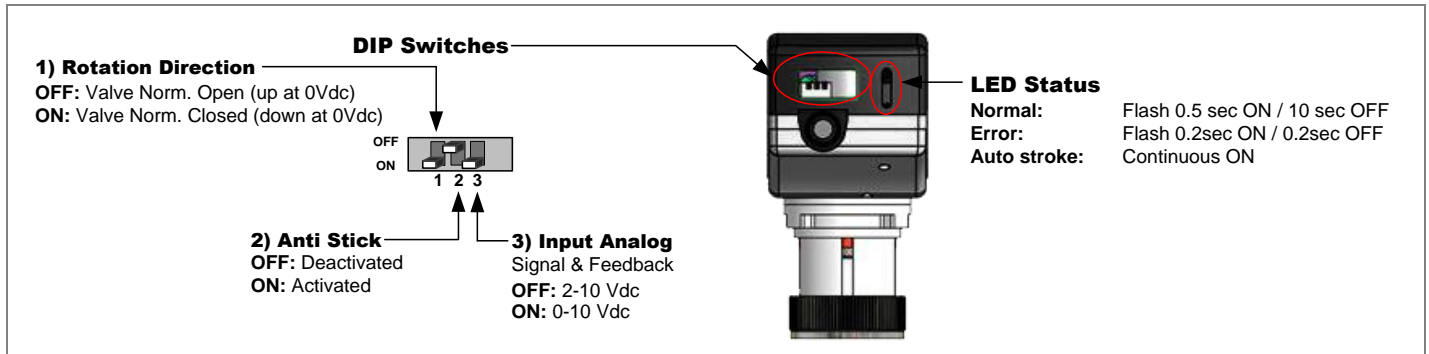
*If the actuator and/or adaptor are removed from the valve after initial installation, an Auto-Stroke sequence must be initiated to recalibrate the actuator. To do so, remove and reapply the power.*

**Rotation Direction**

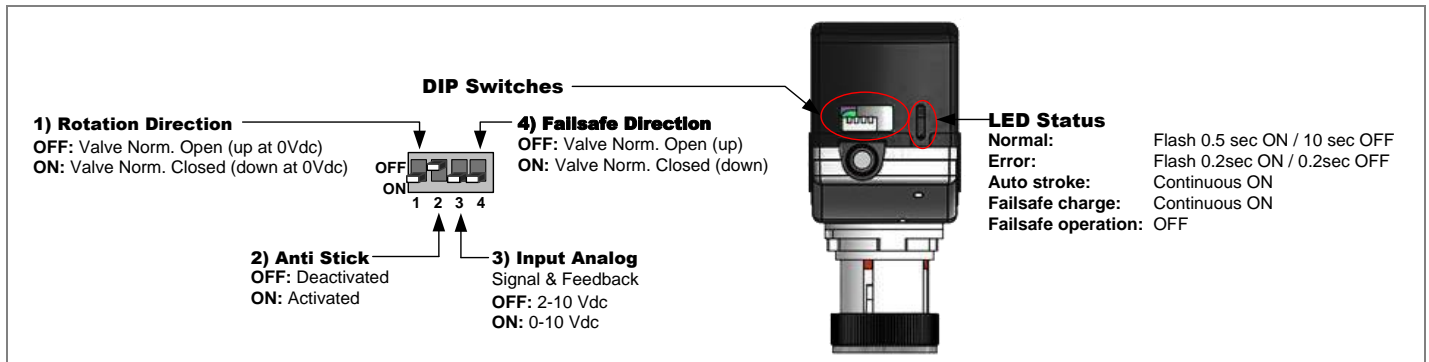
The motor direction for analog actuators is reversible. By default, the actuator is set to reverse acting (DIP switch #1 = ON).



**XM000**



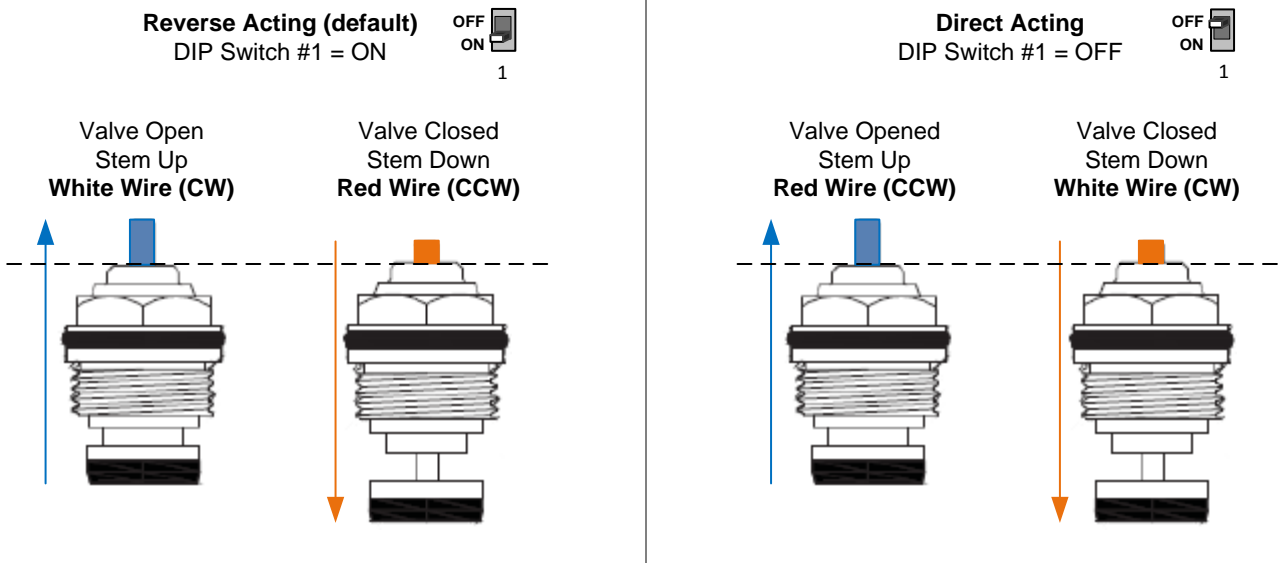
**XM060**



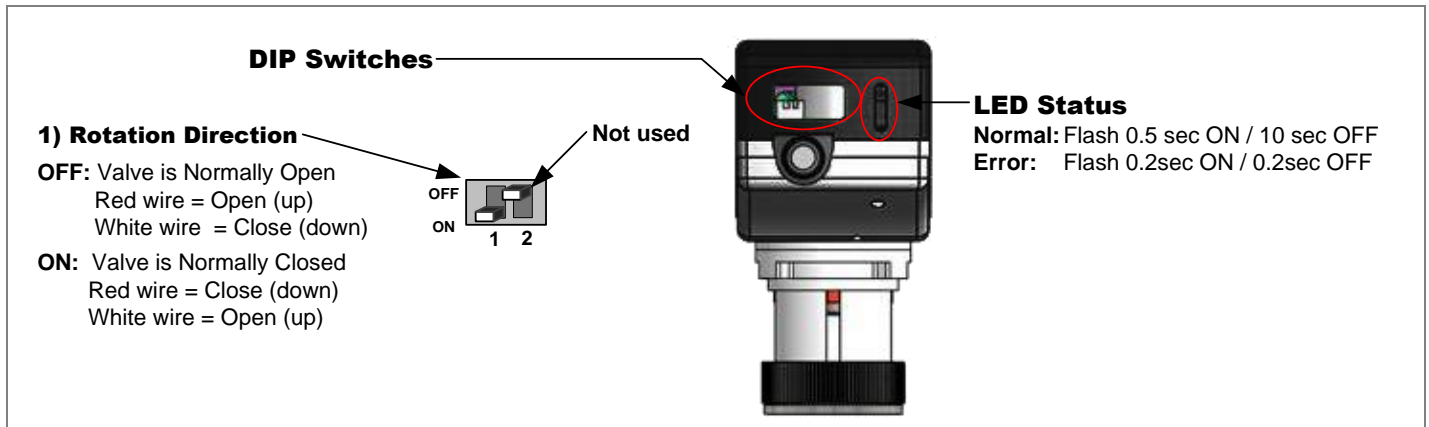
**Settings: Digital Models (XT000 & XT060)**

**Rotation Direction**

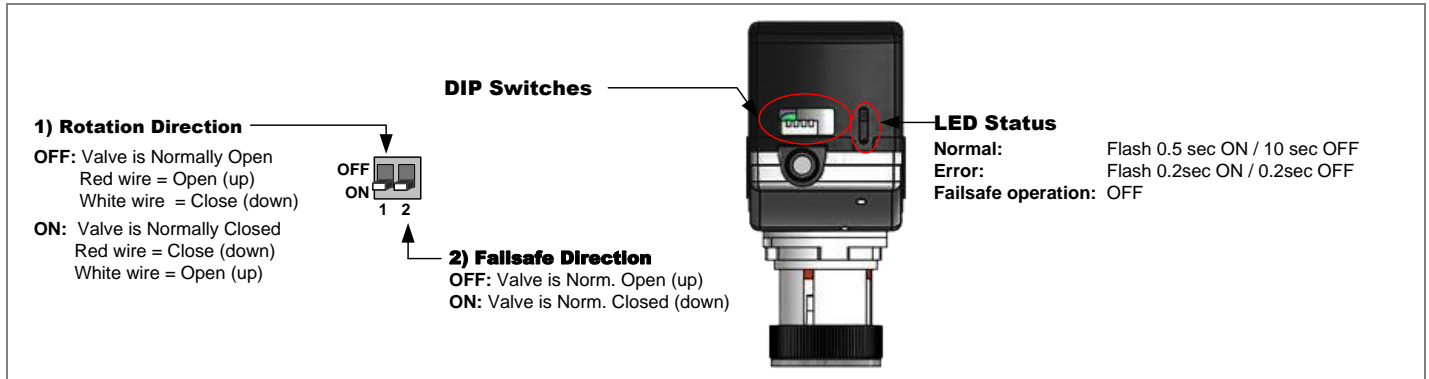
The motor direction for digital actuators is reversible. By default, the actuator is set to reverse acting (DIP switch #1 = ON).



**XT000**



**XT060**

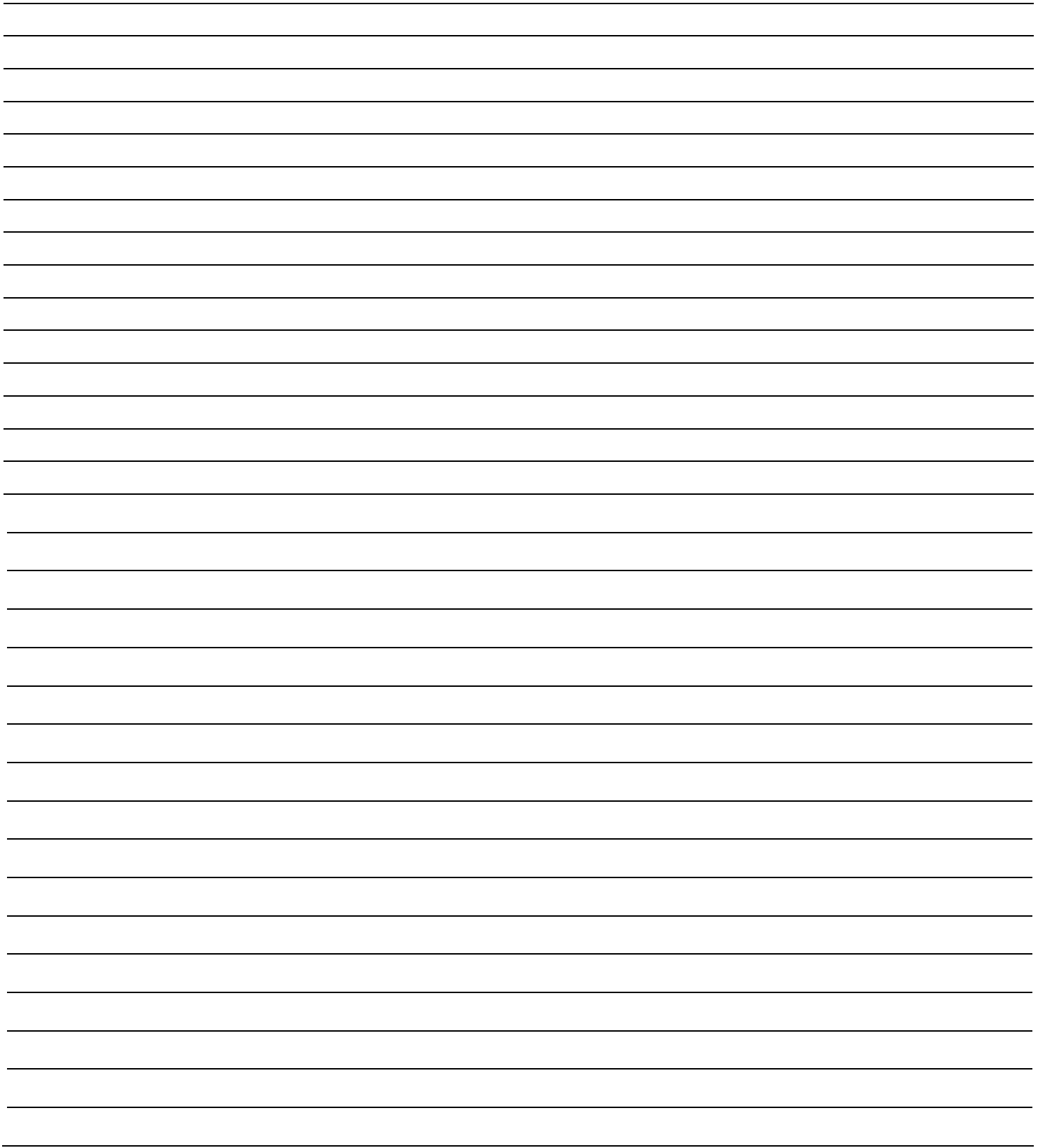


\* Enerdrive Fail-Safe System: US Patent # 5,278,454 | European Patent # 0647366

**Caution**

We strongly recommend that all Neptronic® products be wired to a separate transformer and that transformer shall service only Neptronic® products. This precaution will prevent interference with, and/or possible damage to incompatible equipment. When multiple actuators are wired on a single transformer, polarity must be observed. Long wiring runs create voltage drop which may affect the actuator performance.





### Recycling at end of life



At end of life, please return the product to your Neptronic® local distributor for recycling. If you need to find the nearest Neptronic® authorized distributor, please consult [www.neptronic.com](http://www.neptronic.com).



**neptronic®**

400 Lebeau blvd, Montreal, Qc, H4N 1R6, Canada

[www.neptronic.com](http://www.neptronic.com)

Toll free in North America: 1-800-361-2308

Tel.: (514) 333-1433

Fax: (514) 333-3163

Customer service fax: (514) 333-1091

Monday to Friday: 8:00am to 5:00pm (Eastern time)