



Applications

The V linear Neptronic® actuator can be used in a variety of applications for the control of hot or chilled water:

- Variable Air Volume terminal reheat
- Fan coils
- In floor heating
- Chilled beams
- Baseboard radiation
- Small hydronic heaters

Electric Linear Actuator for Small Valves

The new V linear Neptronic® actuator has been designed to mount on most spring loaded small valves available on the market.

This small linear actuator can deliver a minimum of 120N (27lb) force. It accepts any modulating (analog) or digital control signal in the industry and converts it into an accurate and repeatable valve control (stroke).

The actuator is supplied with a halogen free and UL listed one meter long cable for easy connection (wiring termination).

Features

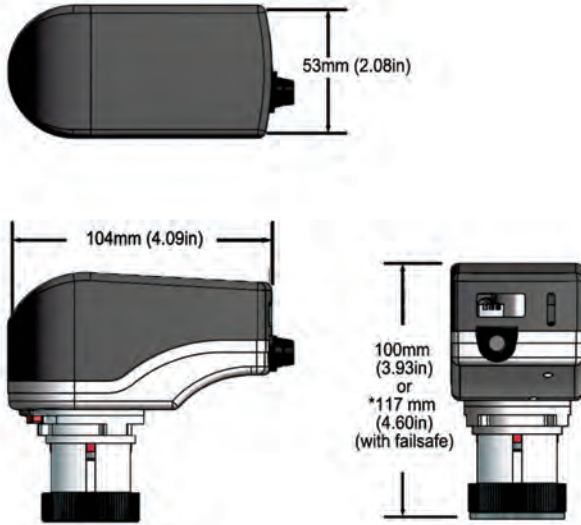
Easy installation with no tools required incorporating unique independent adaptor directly mounted on the valve and connected to the valve shaft.

Adaptor can be used for manual operation before start up or as an override device.

Adaptor includes position indicator operational in manual override mode and with actuator function.

- Automatic calibration
- Low power consumption
- Small size allowing installation in very limited space
- IP54 enclosure
- Supplied with 1m long cable
- Operation status with LED
- Direct or reverse acting field selectable
- Direct control and reverse signal with feedback on VM
- Field selectable analog control signal on VM
- Fail-safe system “Enerdrive”: The patented electronic spring on 060 models
- Equal percentage available upon request (VM only)

Dimensions



* For VM060 and VT060 models

Mounting of the V Linear Actuator



Specifications

- **Power supply**
 - 24 Vac/Vdc
- **Power consumption**
 - 5 VA at 24 Vac / 3W at 24 Vdc (VM000 & VT000)
 - 10 VA at 24 Vac / 5W at 24 Vdc (VM060 & VT060)
- **Control modes**
 - Digital (model VT)
 - 2 position or 3 point floating
 - Analog (model VM)
 - 0-10Vdc, 2-10Vdc, field selectable
- **Failsafe**
 - On model number ending with 060
- **Direction**
 - Reversible, normally Up (closed) or Down (open) position
- **Stroke**
 - 6.5mm (1/4in.) maximum auto stroking
- **Full Stroke time**
 - 120 seconds
- **Output Force**
 - 120N (27lbs) minimum
- **Enclosure rating**
 - IP54 (equivalent to NEMA type 3R)
- **Weight**
 - 0.4kg (0.9lb)
- **Ambient Operating Condition**
 - 2°C to 50°C (36°F to 122°F); 5 to 95%RH non condensing
- **Ambient Storage Condition**
 - 30°C to 50°C (22°F to 122°F); 5 to 95%RH non condensing
- **Made in Canada**



	Actuator Models			
	VM000-500	VM060-500	VT000-500	VT060-500
Power supply	24 Vac/Vdc 50/60Hz			
Control mode	Analog		Digital	
Feedback 0-10vdc	Yes	Yes	No	No
Failsafe	No	Yes	No	Yes

Note: -500 is for standard valve adapter.