


Feature:

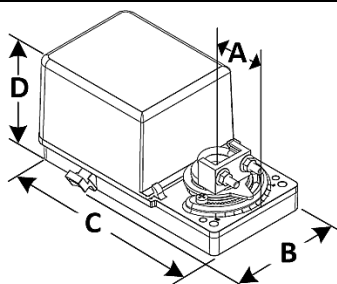
- Mounts easy on round & square shaft (with option –8).
- External clutch for manual adjustments.
- Maintenance free.
- Position indicator.
- Fail safe by *Enerdrive System*¹ (on model 060 & 080).
- Auxiliary switches (on model 020 & 080).

Old Number

BBTF1000A	BT000F
BBTF1021A	BT020F
BBTF1060A	BT060F
BBTF1080A	BT080F

Technical Data	BT000F <i>BBTF1000A</i>	BT060F <i>BBTF1060A</i>	BT020F <i>BBTF1021A</i>	BT080F <i>BBTF1080A</i>
Fail safe - <i>Enerdrive</i>	No	Yes	No	Yes
Power consumption	15 VA	24VA Peak, 15VA	15 VA	24VA Peak, 15VA
Control signal	3 wire / 2 position, 3 wire / 3 point floating	2 wire / 2 position, 4 wire / 3 point floating	3 wire / 2 position, 3 wire / 3 point floating	2 wire / 2 position, 4 wire / 3 point floating
Auxiliary switches	No		Yes (2)	
Ingress protection	IP22 equivalent to Nema type 2, IP54 equivalent to Nema type 3R if water tight inlet bushings (not supplied NEP617) are installed		IP22 equivalent to Nema type 2	
Running time through 90°	6 to 8 sec Torque dependant			
Torque	50 in.lb. [5,6 Nm] at rated voltage			
Power supply	22 to 26 VAC or 28 to 32 VDC			
Electrical connection	18 AWG [0.8 mm ²] minimum			
Inlet bushing	2 inlet bushing of 13/16 in [20.6 mm]			
Angle of rotation	0 to 90 degrees, mechanically adjustable (factory set with 90° stroke)			
Direction of rotation	Reversible, Clockwise (CW) or Counterclockwise (CCW) (factory set with CW direction)			
Ambient temperature	-22°F to +122°F [-30°C to +50°C]			
Storage temperature	-22°F to +122°F [-30°C to +50°C]			
Relative Humidity	5 to 95 % non condensing.			
Weight	3 lbs. [1.4 kg]			

Warning: Do not press the clutch when actuator is powered

Dimensions


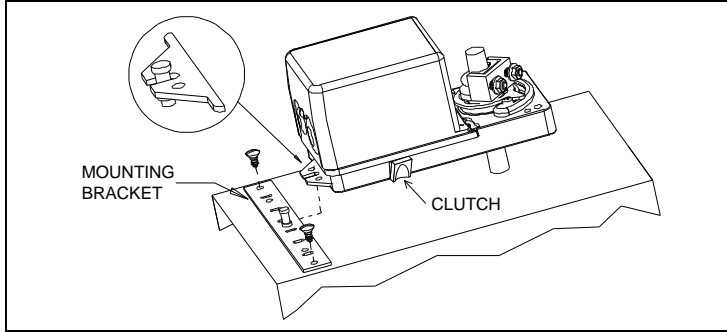
Dimension	Inches	Metric (mm)
A	1.50	38.1
B	3.64	92.5
C	6.60	167.5
D	model 000 & 060	3.02 / 76.8
	model 020 & 080	3.81 / 96.8

Caution

We strongly recommend that all neptronic® products be wired to a separate transformer and that transformer shall service only neptronic® products. This precaution will prevent interference with, and/or possible damage to incompatible equipment.
When multiple actuators are wired on a single transformer, polarity must be observed. Long wiring runs create voltage drop which may affect the actuator performance.

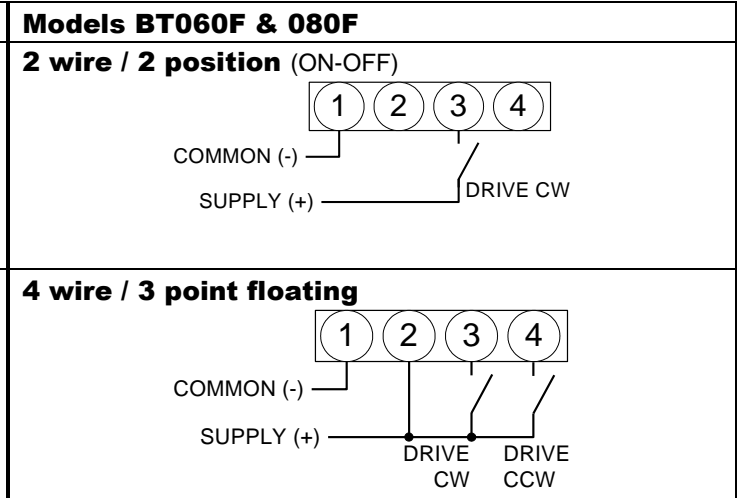
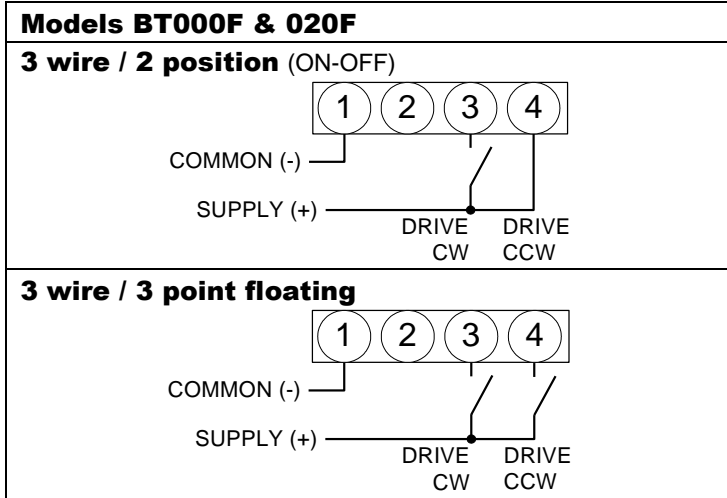
¹ *Enerdrive System* U.S.A. Patent #5,278,454

Mechanical installation

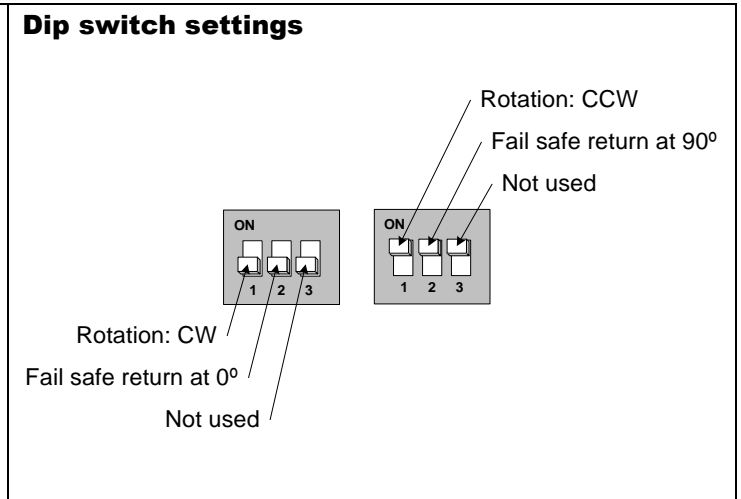
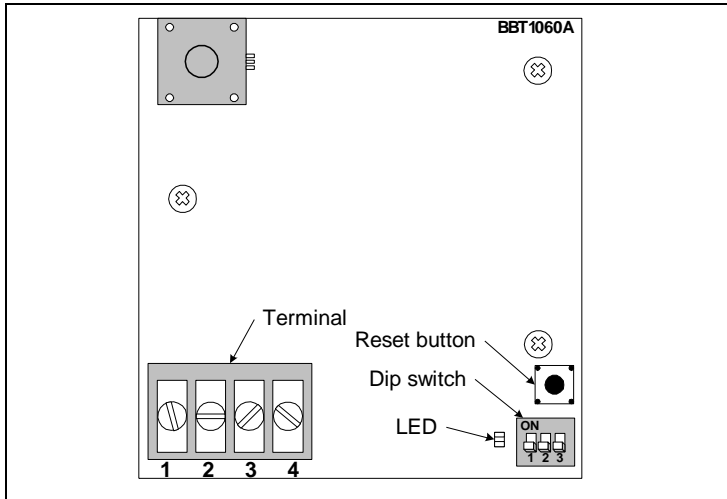


1. Manually close the damper blades and positioned the actuator at 0° or 90°.
2. Slide the actuator onto the shaft.
3. Tighten the nuts on the “U” bolt to the shaft with a 8mm wrench to a torque of 60 in.lb. [6,7 Nm].
4. Slide the mounting bracket under the actuator. Ensure free movement of the slot at the base of the actuator. The bracket pin must be placed in the mid distance of the slot.
5. Fix the bracket to the ductwork with #8 self-tapping screws.

Wiring Diagrams



PC Board



Stroke adjustment

To adjust the stroke, press and release the reset button to start the auto-stroke process. The LED should be illuminated.

- First option:
The actuator will then travel in both directions to find it's limit.
The LED will extinguish, the process is complete.
- Second option:
When the desired end position is reached, press and release the reset button. The actuator will now return back to its origin position. (you can also press and release the reset button when it reaches the origin position)
The LED will extinguish, the process is complete.