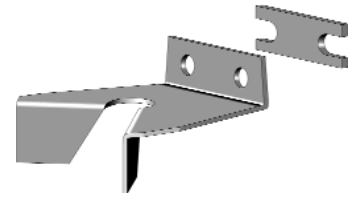




**DCA38, DCA50**  
Damper Crank Arm accepts up to 3/8" or 1/2" jack shaft depending upon the model.



**MCABB & MCATR**  
Motor Crank Arm for C/D/B/S or L/T/R actuators.



**SLD**  
Stroke Limiting Device is a mechanical limiting bracket for L, T or R actuators.



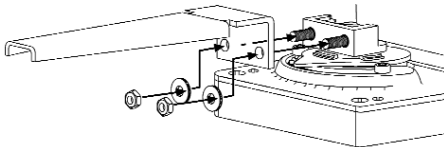
**RSA**  
Ruskin Shaft Adapter for direct mounting of an L, T or R actuator on the 1 inch hollow Ruskin jack shaft.



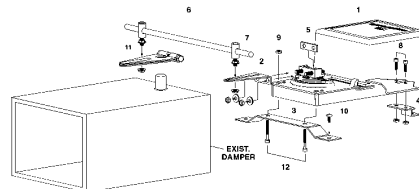
**ELBB, ELTR & ELUB**  
"L" Standoff Bracket for C/D/B/S or L/T/R or U/W.



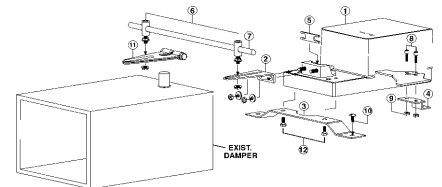
**BJ516 & BJ38**  
Ball Joint for 5/16" or 3/8" rod depending upon the model.



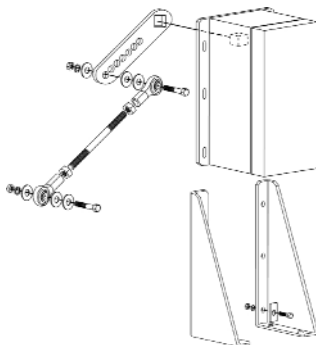
**MINI & MAXI HANDLES**  
Universal Clamp Assembly Handle for C/D/B/S or L/T/R actuators depending upon the model.



**ARM24BB & ARM36BB**  
Assembly for Remote Mounting for C,D,B & S actuators only. Contains 2 ball joints, 1 motor crank arm, 24" or 36" length 5/16" rod depending upon the model, set nut & bolts.



**ARM24TR & ARM36TR**  
Assembly for Remote Mounting for L, T or R actuators only. Contains 2 ball joints, 1 motor crank arm, 24" or 36" length 3/8" rod depending upon the model, set nut & bolts.



**UBARM**  
Assembly for Remote Mounting of U & W actuator only. Contains 2 ball joints, 1 crank arm, 36" length 1/2" SS rod, set nuts & bolts.



**RH1 & RH2**  
Rain Hood protective enclosure for C/D/B/S or L/T/R actuators depending upon the model.