

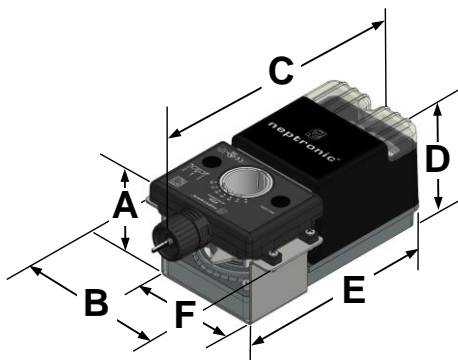
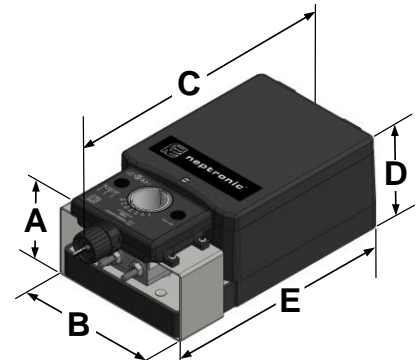
Description

FD5-B: Feedback potentiometer for C, D, B and S actuators.
FD5-T: Feedback potentiometer for L, T and R actuators.

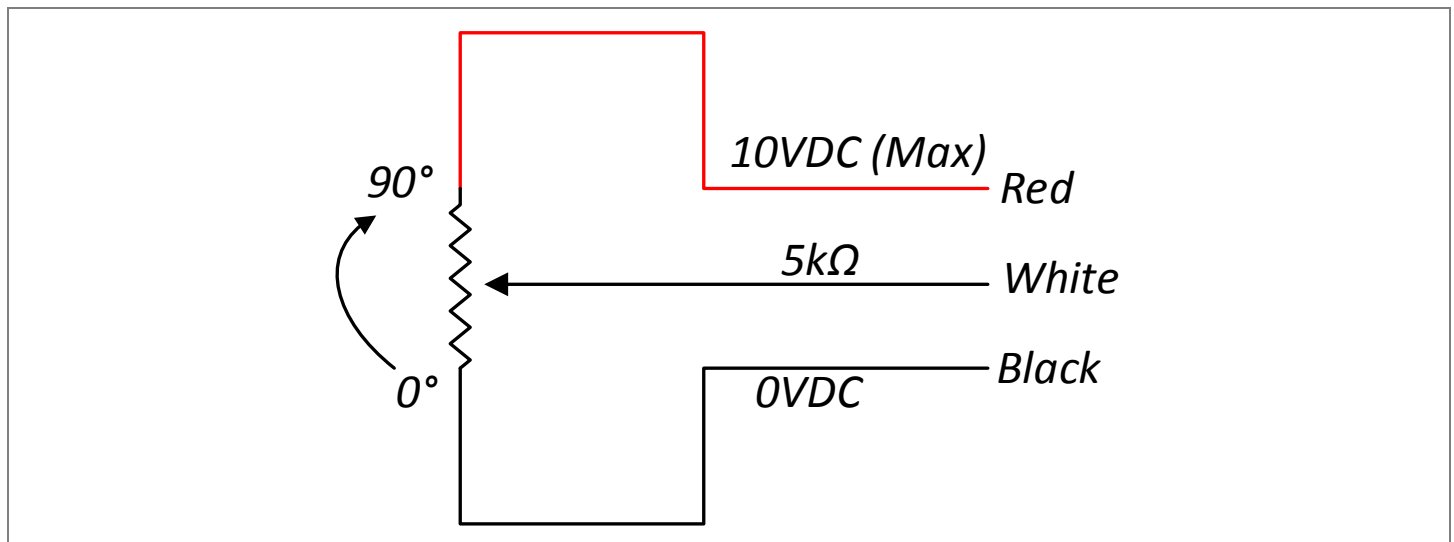


FD5 Series

Technical Specifications

Description	FD5-B	FD5-T
Actuator Compatibility	Neptronic C, D, B and S series actuators	Neptronic L, T and R series actuators
Power Supply	10 VDC maximum	
Resistance	5 kΩ (Tol. +/- 30%)	
Purpose and Action of Control	Type 1 operating control	
Construction of Control	Independently mounted, accessory	
Pollution Degree	2	
Impulse Voltage	800V	
<u>Dimensions with FD5-B:</u>		
A = 3.0" 76 mm B = 4.5" 114 mm C = 8.0" 203 mm D = 3.2" 81 mm E = 6.5" 165 mm F = 3.6" 91 mm		
<u>Dimensions with FD5-T:</u>		
A = 3.7" 94 mm B = 5.3" 135 mm C = 10.7" 272 mm D = 3.6 or 3.8" 91 mm or 97 mm E = 9.1" 231 mm		

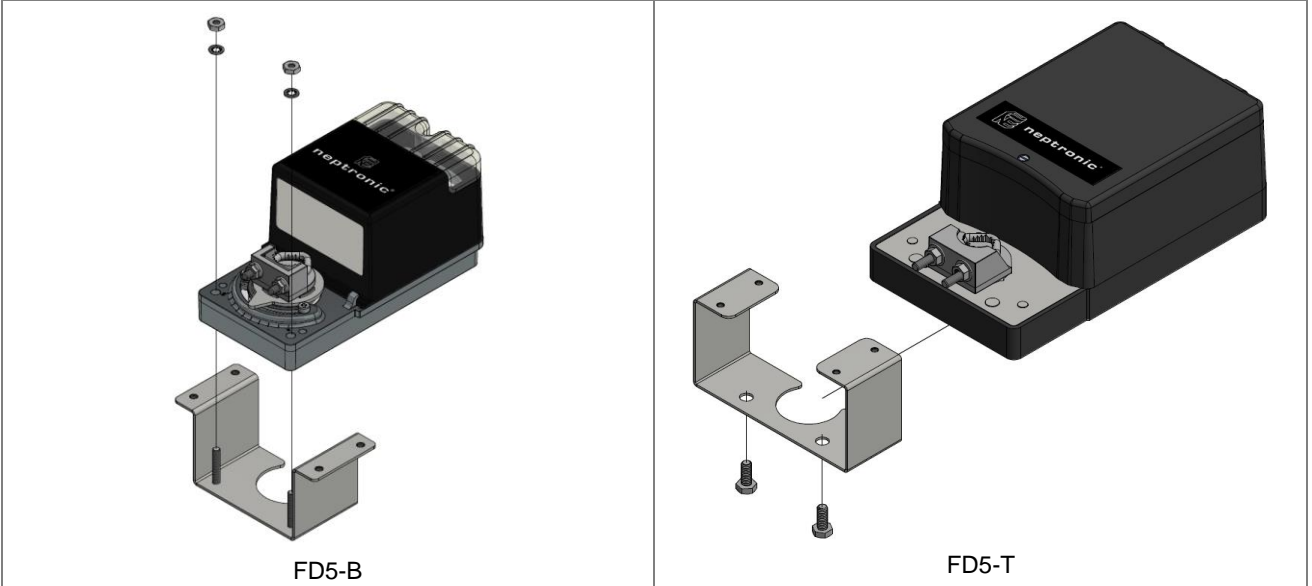
Wiring



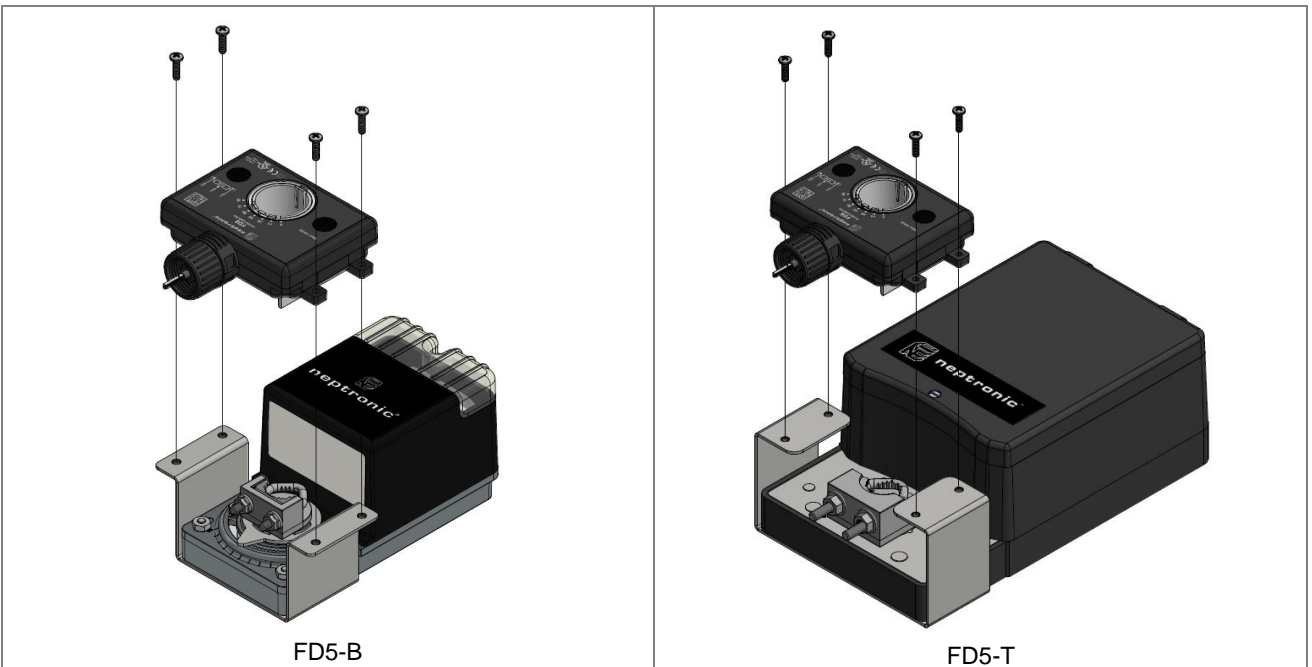
Mounting Instructions

1. **For FD5-B:** Screw the actuator onto the bracket using the two nuts (supplied).

For FD5-T: Slide the bracket onto the actuator and secure it by inserting the two bolts from the bottom into the threaded holes of the actuator (supplied).



2. Secure the potentiometer onto the bracket by using the four screws (supplied). Ensure that the actuator adaptor is properly aligned with the potentiometer adaptor.



Recycling at end of life: please return this product to your Neptronic local distributor for recycling. If you need to find the nearest Neptronic authorized distributor, please consult www.neptronic.com.