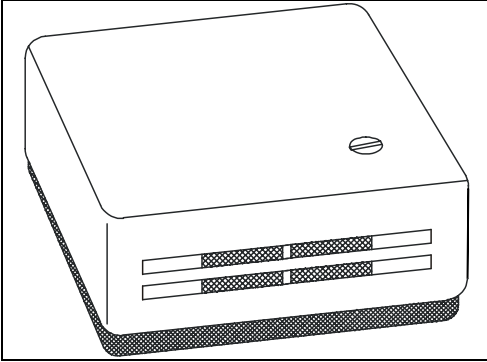
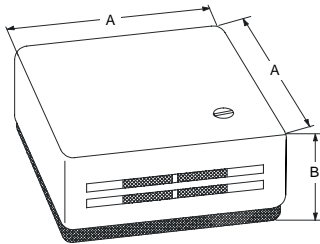


## HRM-X


**Feature:**




- Humidity sensor
- White cover for wall mount installation
- Can be installed in association with Neptronic<sup>®</sup> room (HRO20) humidistat or directly to the Neptronic<sup>®</sup> SK300 / SKE Series Steam humidifier (prg. rev. 3.3).

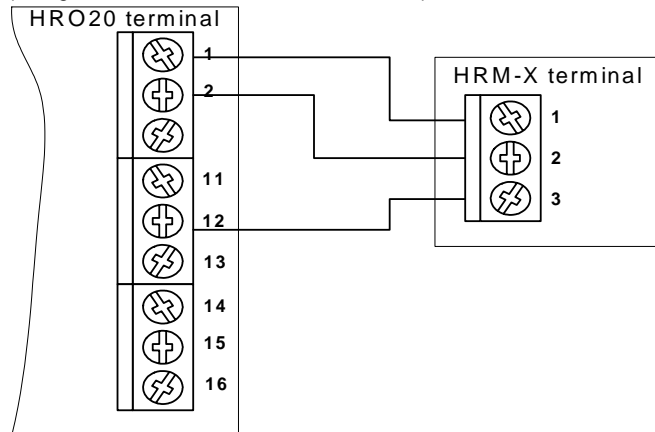
Technical Data	HRM-X
<b>Power supply</b>	24 VAC or VDC +/-10%
<b>Power consumption</b>	1 VA
<b>Electrical connection</b>	18 AWG minimum
<b>Actual humidity output</b>	0-10 VDC (0-100% R.H.)
<b>Sensor precision</b>	+/- 3% or better at 40% R.H. and 73°F [23° C]
<b>Operating temperature</b>	32°F to 104°F [0° C to 40° C]
<b>Storage temperature</b>	14°F to 122°F [-10° C to +50° C]
<b>Relative Humidity</b>	0 to 95 % R.H.
<b>Weight</b>	0.13lb [60g]

**Dimensions**


Dimension	Inches	Metric (mm)
<b>A</b>	2.7	39
<b>B</b>	1.1	28

**Description of terminal**

	<b>1</b> COMMON
	<b>2</b> 24 VAC OR VDC
	<b>3</b> 0-10 VDC OUTPUT

**Wiring Diagrams**
**Connection to HRO20**
*(Along with SK300 or SKE series Humidifier)*


**NOTE:** When using the HRO20 with a remote sensor, the remote set point feature will be disabled on the HRO20.

**Connection to SK300 / SKE**
