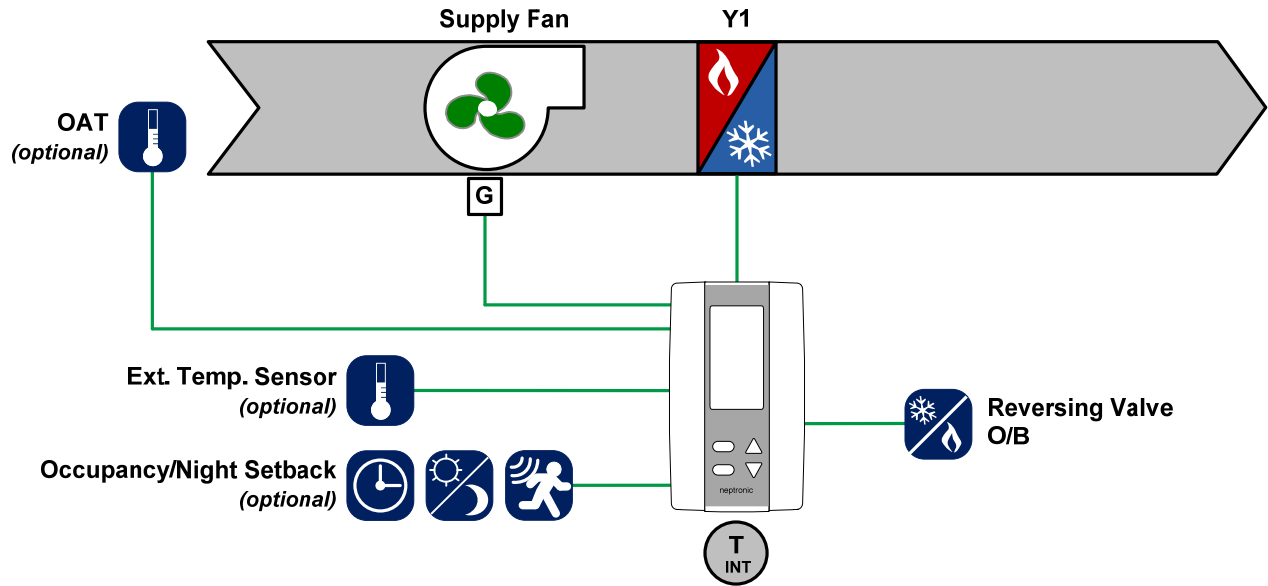


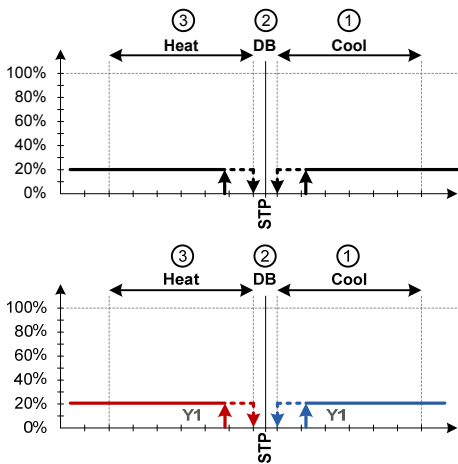


Application



Sequence of Operation

- ① When the zone is calling for cool, the reversing valve (O) and the fan (G) are energized. Compressor #1 (Y1) is energized to maintain zone setpoint.
- ② When the zone is in the dead band mode, the heat pump is off.
- ③ When the zone is calling for heat, the reversing valve (O) is de-energized and fan (G) is energized. Compressor #1 (Y1) is energized to maintain zone setpoint.



Programming

Object	Configuration Name	Default Setting	Configuration
BV.95	Heat Pump Option	Off	On
MSV.25	Fan Speed Signal	3 Speed Fan	1 Speed

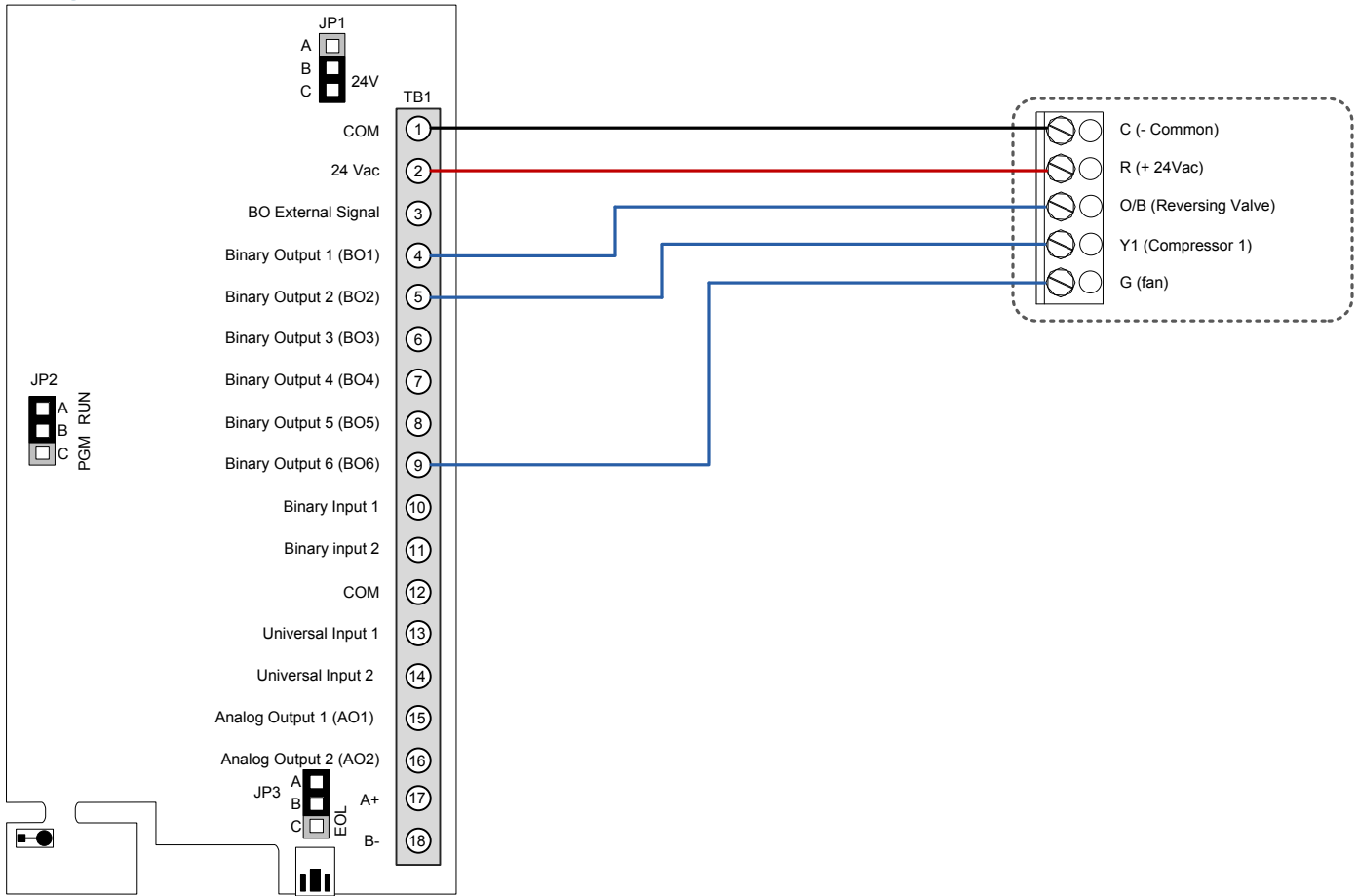
Object	Configuration Name	Default Setting	Configuration
AV.120	BO2 Close Percentage	25%	20%

Notes

- For cooling only application, set "MSV.20 Temp Control Mode" to "Cool". From the thermostat press to change modes.
- When the controller is set in EMH mode;
 - o The compressors are disabled (Y1 & Y2).
 - o Heat 1 (W1) becomes the 1st heating stage and takes the configuration settings of Y1.
 - o Heat 2 (W2) configuration settings do not change.
- If reversing valve requires to be energized while in heating, set "BV.95 Reversing Valve O/B" to "B".
- For continuous fan operation, set "BV.20 Fan Auto Mode" to "No".



Wiring



Point Configuration

Output	Configuration
Binary Output 1	Reversing Valve (O)
Binary Output 2	Compressor 1 (Y1)
Binary Output 3	Not Used
Binary Output 4	Not Used

Output	Configuration
Binary Output 5	Not Used
Binary Output 6	Fan
Analog Output 1	Off
Analog Output 2	Off

Output	Configuration
Binary Input 1	Occupancy
Binary Output 2	Night Setback
Analog Input 1	Off
Analog Input 2	Off