

SKS4 STEAM TO STEAM HUMIDIFIER



neptronic[®]
www.neptronic.com

SKS4 STEAM TO STEAM HUMIDIFIER

The SKS4 humidifier provides chemical free steam by using an on-site central boiler or steam generating station as a heat source. The raw steam under pressure from the boiler provides the energy to produce clean steam through a heat exchanger.

The SKS4 is recommended for applications such as schools, hospitals, printing shops, museums and offices.

Advantages

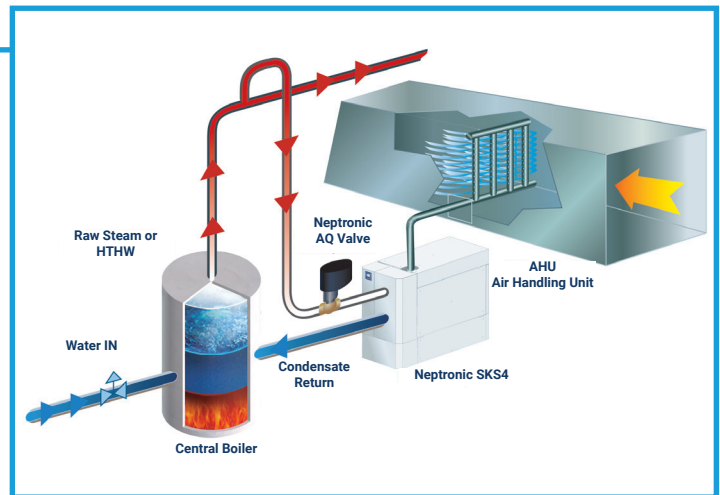
- Capacities from 17 to 1250 lbs/hr (8 to 570 kg/hr) of steam
- Stainless steel (for raw steam) heat exchangers
- Comprehensive scale management system
- Ease of servicing: clean and re-install within minutes
- Patent-pending water level detection system using 2 sensor technologies
- Uses domestic, RO or DI water
- Available with BACnet MS/TP or Modbus communication
- Optional ethernet module for BACnet IP or Modbus IP, and web services
- Patented Anti-Foaming Energy Conservation (AFEC) System
- Drain water tempered to below 140°F (60°C)

Typical Installation

Steam to Steam Humidification

The main energy source of the SKS4 is raw steam under pressure from an on-site central boiler.

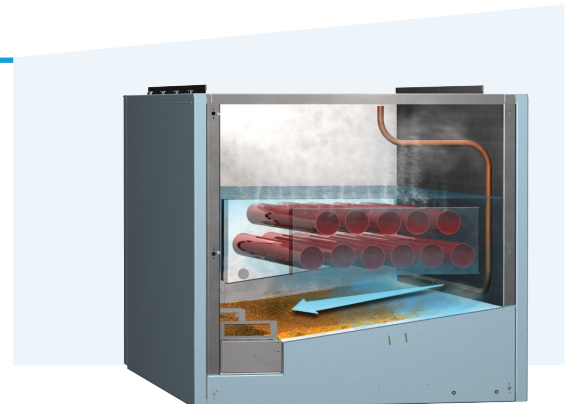
The raw steam passes through the heat exchanger of the humidifier, thus providing the energy to produce clean sterilized steam to be distributed to the Air Handling Unit (AHU) system or duct.



Self-Cleaning System

Scale Management System

The SKS4 is designed with a comprehensive scale management system. The supply of cold water, located at the sloped bottom of the evaporation chamber, forces the precipitated mineral deposits into baskets that can easily be removed and cleaned.



System Overview

Heat Exchanger

Raw steam passes through the heat exchanger, thus providing the energy to produce clean steam. Made with 316 stainless steel for 5-15 psig (34.5-103kPa) steam.

Evaporation Chamber

The 304 stainless steel evaporation chamber cover is equipped with handles for easy removal without any tools.

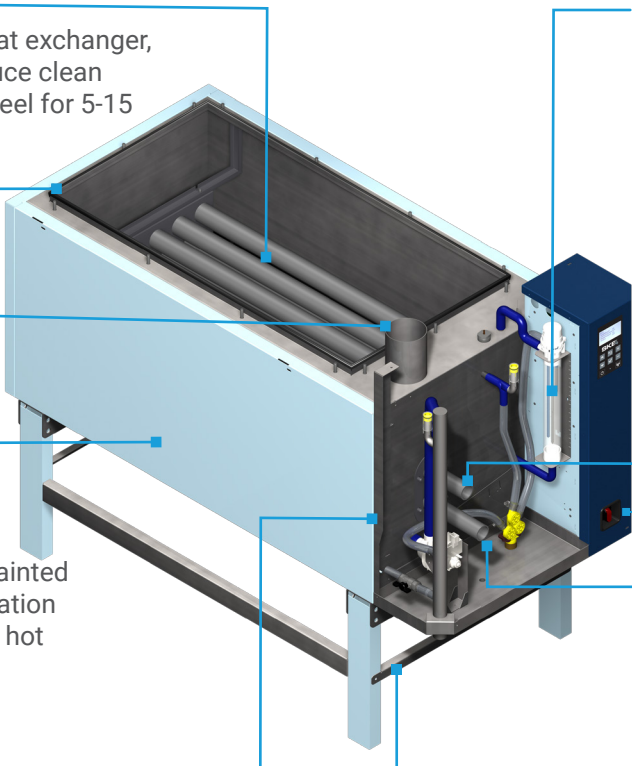
Steam Outlet

Insulated Cabinet

The fully enclosed steel, powder-painted cabinet with 1" (25mm) thick insulation eliminates accidental contact with hot surfaces and saves energy.

Scale Trap Trays

These trays can be accessed from the top of the unit, allowing for easy maintenance and scale removal.



Patent-Pending Water Level Detection System

- Self-cleaning and self-calibrating sensors
- Utilizes 2 different sensor technologies
- Precise and reliable water level detection
- Anti-Foaming Energy Conservation (AFEC) System: drains water when foam is detected

Pressurized Steam Supply

Disconnect Switch

Condensate Return

Floor Stand

Adjustable legs ensure proper level when installed directly on the floor.



Modulating Control

The SKS4 is supplied with a linear actuated globe valve giving full modulation control of low pressure steam.



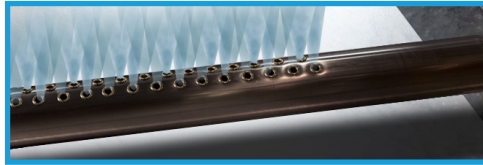
Options

Steam Distribution Systems

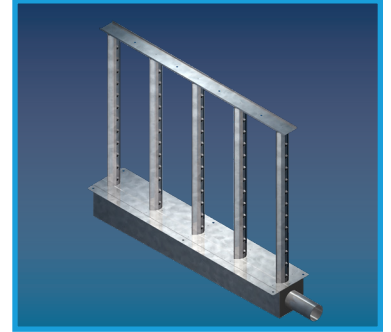
For duct distribution installation, the SKS4 requires either a Multi-Steam SD, Multi-Steam HD, or S.A.M.E2 as a steam dispersion system.



Multi-Steam SD:
For absorption distance
of less than 3' (914mm)



S.A.M.E2:
For absorption distance
of less than 5' (1500mm)



Multi-Steam HD:
High efficiency steam distributor
(channel and header) with
steam ejector eyelets

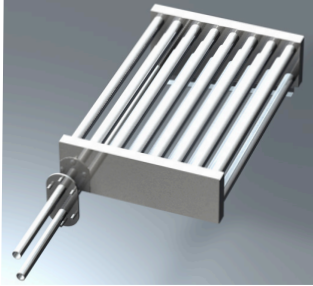
Outdoor Enclosure

- Hinged doors provide full access (serviceability) from the front, back and top of unit
- Fully insulated and constructed from heavy duty steel
- Stainless steel bottom drip pan
- Zinc primer and polyurethane powder coating for resistance against scratches and corrosion
- Built-in anti-freeze and overheat protection
- Easy installation on a roof curb, stand or slab



Specifications

Heat Exchanger - SLP Stainless Steel 316 (For Raw Steam)



Model	Output Steam Capacity lbs/hr [kg/hr] for Supply Steam Pressure					Steam Outlet Qty & Ø in [mm]
	5 PSI [34.5 kPa]	8 PSI [55.1 kPa]	10 PSI [68.9 kPa]	12 PSI [82.7 kPa]	15 PSI [103 kPa]	
SKS4-050-SLP	17 [8]	27 [12]	33 [15]	40 [18]	50 [23]	(1x) 2" [51]
SKS4-100-SLP	33 [15]	53 [24]	67 [30]	80 [36]	100 [45]	(1x) 3" [76]
SKS4-130-SLP	43 [19]	69 [31]	87 [39]	104 [47]	130 [59]	(1x) 3" [76]
SKS4-190-SLP	63 [28]	101 [46]	127 [57]	152 [69]	190 [86]	(1x) 3" [76]
SKS4-290-SLP	97 [44]	155 [70]	193 [87]	232 [105]	290 [132]	(1x) 4" [100]
SKS4-390-SLP	130 [59]	208 [94]	260 [118]	312 [142]	390 [177]	(1x) 4" [100]
SKS4-500-SLP	167 [76]	267 [121]	333 [151]	400 [182]	500 [230]	(1x) 5" [125]
SKS4-690-SLP	230 [104]	368 [167]	460 [209]	552 [251]	690 [314]	(1x) 5" [125]
SKS4-950-SLP	317 [144]	507 [230]	633 [287]	760 [345]	950 [432]	(2x) 4" [100]
SKS4-1250-SLP	417 [189]	667 [303]	833 [378]	1000 [454]	1250 [568]	(2x) 5" [125]

Integrated, Multi-Platform Controller

The SKS4 controller is configured specifically for your SKS4 Steam Humidifier.

- User-friendly, menu-driven interface on a 128 x 64 LCD with 8 function buttons for faster configuration and operation
- User rights management system allows for menu to display only functions available to the type of user logged in: End User, Service Technician, Installer or Integrator
- Quick Config menu allows for faster and easier installation, by displaying only the most commonly used functions and configurations
- Independent scheduling system for unit operation and drain cycle configurable via the menu or the BACnet communication interface
- In-field firmware upgradeable via SD card, USB or BACnet
- Simple viewing and exporting of trending log and alarm log

Optional features:

- The selectable BACnet MS/TP or Modbus menus allow access to over 75 objects/ registers for integration with a BMS and IoT (Internet of Things)
- Ethernet module
- BACnet IP or Modbus IP
- Web services make it possible to perform humidifier configurations, remote diagnostics and many more functions from any location



Specify your SKS4 online

Humidifier System Design and Specification Web Application

Ready to specify your Humidifier? Neptronic has developed a web application that saves you time when sizing and specifying Neptronic commercial, industrial or residential humidifiers.



Features

- Automatic humidification load calculation
- Web based
- Selection specific report generator
- Only options related to your selections appear
- Manage users, clients, job sites and humidifier specs
- History log

Projects	Humidifier	Dispersion	Options	Reports	Pricing
Type					
<input checked="" type="radio"/> Isothermal (Hot Steam) <input type="radio"/> Adiabatic (cold mist)					
Category					
<input type="radio"/> Commercial Electric <input type="radio"/> Commercial Gas <input type="radio"/> Residential Electric <input checked="" type="radio"/> Steam to Steam <input type="radio"/> Direct Steam					
Entering Air Conditions		Indoor Conditions		Distribution	
Temperature <input type="text"/> °F		Temperature <input type="text" value="69.8"/> °F		<input checked="" type="radio"/> In Duct	
Relative Humidity <input type="text"/> %		Relative Humidity <input type="text" value="30"/> %		<input type="radio"/> In Space	
Ventilation System					
<input type="radio"/> Natural <input checked="" type="radio"/> Mechanical <input type="radio"/> Economizer					
Total Air Flow <input type="text" value="3531"/> CFM				Outside Air <input type="text" value="100"/> %	
Humidifier(s)					
<input type="checkbox"/> Entry Load Manually		Calculated Load <input type="text" value="70.06"/> lb/hr		Total Capacity <input type="text" value="100.00"/> lb/hr Select Model	

Easy to Use

Go to neptronic.com, select Humidisoft and log in. Enter design requirements and Humidisoft automatically calculates the humidification load and adjusts available options based on your selections. When done, print a complete schedule, CSI and/or submittal report at the click of a button.

Projects	Humidifier	Dispersion	Options	Reports	Pricing
Flexible Steam Hose			High Limit & Air Pressure Switch		
3" <input type="text"/> ft			<input type="checkbox"/> Air Pressure switch APS <input type="checkbox"/> High Limit Duct Humidistat HC201		
Heat Exchanger			Electrical Actuated Steam Valve		
<input checked="" type="radio"/> Stainless Steel <input type="radio"/> Stainless Steel Teflon Coated <input type="radio"/> Stainless Steel Nickel Plated <input type="radio"/> Copper <input type="radio"/> Copper Teflon Coated <input type="radio"/> Copper Teflon Plated			<input type="radio"/> None <input checked="" type="radio"/> Brass Trim <input type="radio"/> Stainless Steel Trim		
Other Options					
<input checked="" type="checkbox"/> BACnet (MS/TP) Network Capability <input checked="" type="checkbox"/> Float / Thermostatic Steam Trap <input type="checkbox"/> Steam Supply Strainer <input checked="" type="checkbox"/> Floor Legs <input type="checkbox"/> Wall Mounting Brackets <input type="checkbox"/> Hanging Brackets <input type="checkbox"/> Standard DI/RO Water (below 18 megohm) <input type="checkbox"/> Humidifier Weather Enclosure (W)					

Humidifier Product Line

SKE4 ⚡



Electric

- Capacities from 6 - 300 lb/hr
- Remove chamber easily, without tools
- Outdoor unit available

SKG4 🔥



Gas Fired

- Capacities from 110 - 810 lb/hr
- Modular design
- Outdoor unit available

SKS4 ↑↑↑



Steam to Steam

- Capacities from 17 - 1250 lb/hr
- Scale management system for easy maintenance
- Insulated external panels

SKVF → → → ❄️



Evaporative Cooler

- Airflow up to 6000 CFM
- ECM fan with variable output
- Compact, quiet and standalone

SKR ⚡



Residential

- Capacities from 4.5 - 12 lb/hr
- Permanent cleanable chamber
- Reliable siphon drain

SKH 🕒



High Pressure Atomizer

- Capacities up to 4638 lb/hr
- Up to 3 zones
- Installation in-duct or in-space

SKV → → →



Evaporative

- Free cooling up to 22°F (12°C)
- Custom design to fit your application
- Hygienic operation with silver ion dosing system

SKD ~~~



Direct Steam

- Capacities from 5 - 1650 lb/hr
- Jacketed or Multi-Steam™ SD/HD
- Unique electronic steam controller
- Optional pressurized condensate return (PCR) system

Distribution



Steam Distribution

- Multi-Steam™ SD/HD distribution
- S.A.M. & S.A.M.E2 wands
- SDU (Space distribution unit)

MANUFACTURER OF ■

- HVAC CONTROLS
- ELECTRIC ACTUATORS
- ACTUATED VALVES
- HUMIDIFIERS
- ELECTRIC HEATERS

■
www.neptronic.com