



SSR



Pulsed Vdc control

EHS



Multi signal control

EHC



Multi signal high power control

SSR, EHS & EHC Series Electronic heater SSR Controllers

We offer the industry's most versatile and complete line of SSR controllers. The EHS and EHC series incorporate a multi-fin, black anodized heat sink with a exceptionally high heat dissipation rate as well as a compact control board, which accepts all standard industry control signals.

Designed for cost effective modulation of electric loads, the SSR controllers provide dependable, reliable operation.

It complements the Neptronic® family of products which includes electronic actuators and actuated valves, electric duct heaters and other controls.

Max. Amperage			Volts & Ø			Input			Option								
20 Amps	38 Amps	40 Amps	45 Amps	56 Amps	67 Amps	Up to 600 volts max.	1 phase	3 phases	On/Off 1 to 4 stages	Analog (0-10vdc, 2-10vdc, 0-20mA, 4-20mA)	Neptronic® resistive signal	Pulse Vac & Vdc	Pulse 4-32 Vdc	Thermostatic protection	Internal setpoint	Mounting on plate	Mounting in box
			✓			✓							✓				
				✓		✓						✓	✓				
		✓				✓	✓		✓	✓		✓		✓			
			✓			✓		✓	✓	✓		✓		✓			
✓						✓		✓		✓	✓	✓		✓	✓	✓	✓
✓						✓		✓		✓	✓	✓		✓	✓	✓	✓
		✓				✓	✓			✓	✓	✓		✓	✓	✓	✓
			✓			✓		✓		✓	✓	✓		✓	✓	✓	✓
				✓		✓		✓		✓	✓	✓		✓	✓	✓	✓
					✓	✓	✓			✓	✓	✓		✓	✓	✓	✓
						✓	✓			✓	✓	✓		✓	✓	✓	✓
						✓	✓			✓	✓	✓		✓	✓	✓	✓
						✓	✓			✓	✓	✓		✓	✓	✓	✓
						✓	✓			✓	✓	✓		✓	✓	✓	✓
						✓	✓			✓	✓	✓		✓	✓	✓	✓

SSR

SSR50A1B			✓			✓							✓				
SSR50A1BAC				✓		✓						✓	✓				

EHS

EHS45-600-10		✓				✓	✓		✓	✓		✓		✓			
EHS22-600-30	✓					✓		✓	✓	✓		✓		✓			
EHS45-600-30			✓			✓		✓	✓	✓		✓		✓			

EHC

EHC20-600-30B	✓					✓		✓		✓	✓	✓		✓	✓	✓	✓
EHC20-600-30P	✓					✓		✓		✓	✓	✓		✓	✓	✓	✓
EHC40-600-10B			✓			✓	✓			✓	✓	✓		✓	✓	✓	✓
EHC40-600-10P			✓			✓	✓			✓	✓	✓		✓	✓	✓	✓
EHC40-600-30B			✓			✓		✓		✓	✓	✓		✓	✓	✓	✓
EHC40-600-30P			✓			✓		✓		✓	✓	✓		✓	✓	✓	✓
EHC56-600-10B				✓		✓	✓			✓	✓	✓		✓	✓	✓	✓
EHC56-600-10P				✓		✓	✓			✓	✓	✓		✓	✓	✓	✓
EHC56-600-30B				✓		✓		✓		✓	✓	✓		✓	✓	✓	✓
EHC56-600-30P				✓		✓		✓		✓	✓	✓		✓	✓	✓	✓
EHC67-600-10B					✓	✓	✓			✓	✓	✓		✓	✓	✓	✓
EHC67-600-10P					✓	✓	✓			✓	✓	✓		✓	✓	✓	✓
EHC67-600-30B					✓	✓		✓		✓	✓	✓		✓	✓	✓	✓
EHC67-600-30P					✓	✓		✓		✓	✓	✓		✓	✓	✓	✓



Typical Application

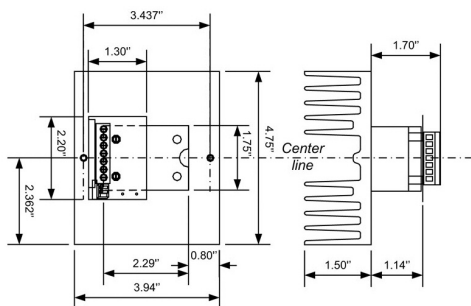
- Electric VAV duct heater
- Electric baseboard
- Electric rooftop heater
- Electric floor heating

Features

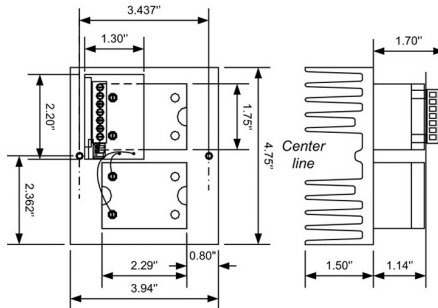
- | | | |
|---|---|---|
| <p>SSR</p> <ul style="list-style-type: none"> • Complete with heat sink • SSR, UL & CSA approved • Pulse status LED | <p>EHS</p> <ul style="list-style-type: none"> • Microprocessor based. • Integrated over temperature protection at 85°C (auto reset) • Complete with factory installed heat sink • SSR, UL & CSA approved • Pulse status LED for servicing & trouble shooting • Available in 1 phase or 3 phases • Selectable digital or analog signal • Up to 4 stages | <p>EHC</p> <ul style="list-style-type: none"> • Microprocessor based compact controller board • Integrated over temperature protection at 85°C (auto reset) • Mounting on a plate or in a box • SSR, UL & CSA approved • Many input control signals (0-10 VDC, 2-10 VDC, 4-20 mA, pulse AC & DC, Neptronic® resistive signal) • Set point range on controller (optional) • Factory installed heat sink • Available in 1 phase or 3 phases • Slave output to control more SSR controllers • Pulse status LED for servicing & trouble shooting |
|---|---|---|

Dimensions

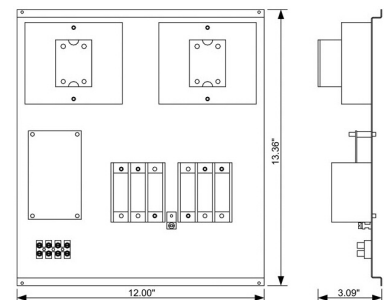
EHS45-600-10



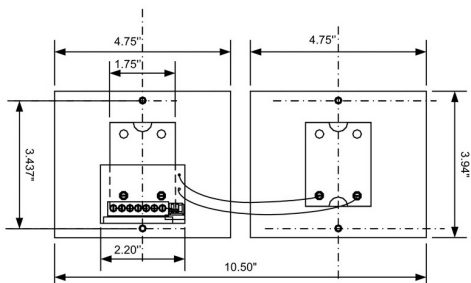
EHS22-600-30



EHC Plate Assembly



EHS45-600-30



EHC Box Assembly

